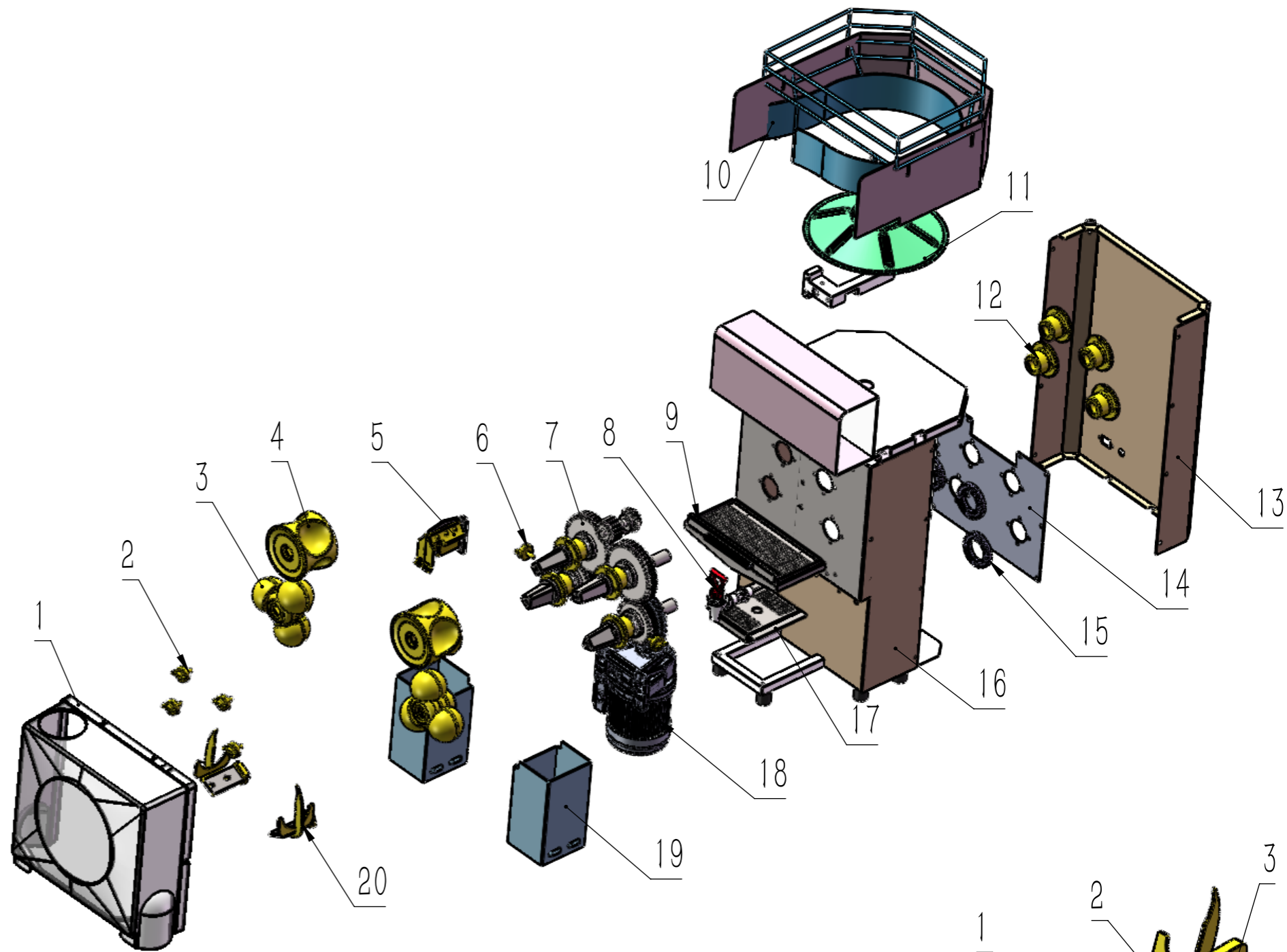
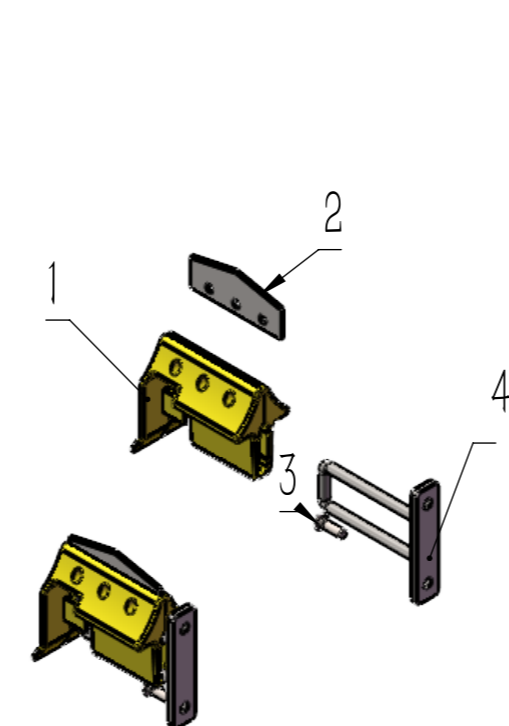


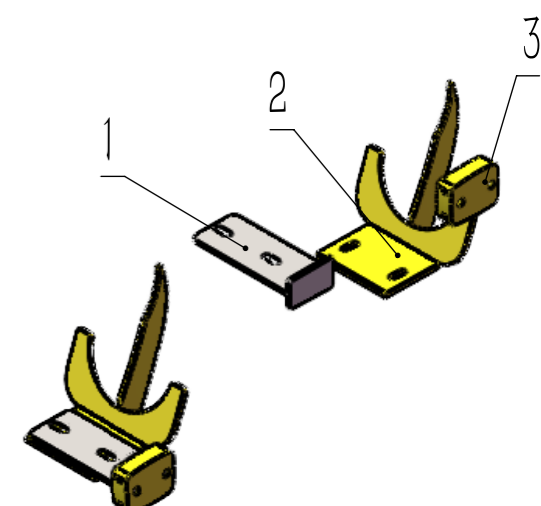
NO.	DESCRIPTION
1	Cover
2	Screw
3	Convex ball
4	Concave ball
5	Knife combination
6	Locating pin
7	Triangular shaft combination system
8	Control Tap
9	Juice bucket combination
10	Fruit basket
11	Fruit auto feed system
12	Rear nylon sleeve
13	Back panel
14	Rear top panel
15	Shaft ring
16	Side panel
17	Tap base
18	Motro
19	Peel bucket
20	Scraper combination

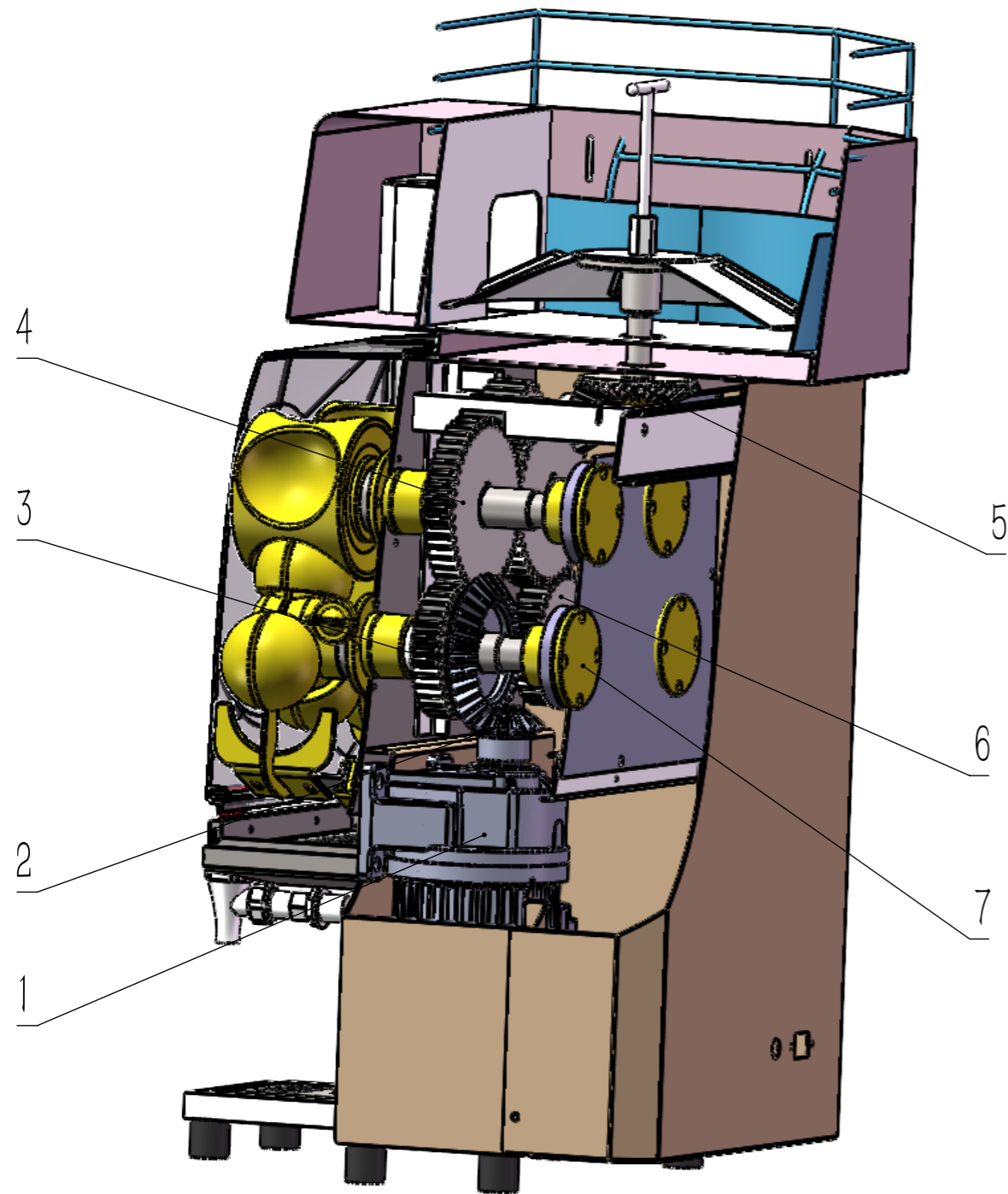


NO.	DESCRIPTION
1	Knife base
2	Knife stainless steel
3	Knife bracket stainless steel
4	Knife bracket base

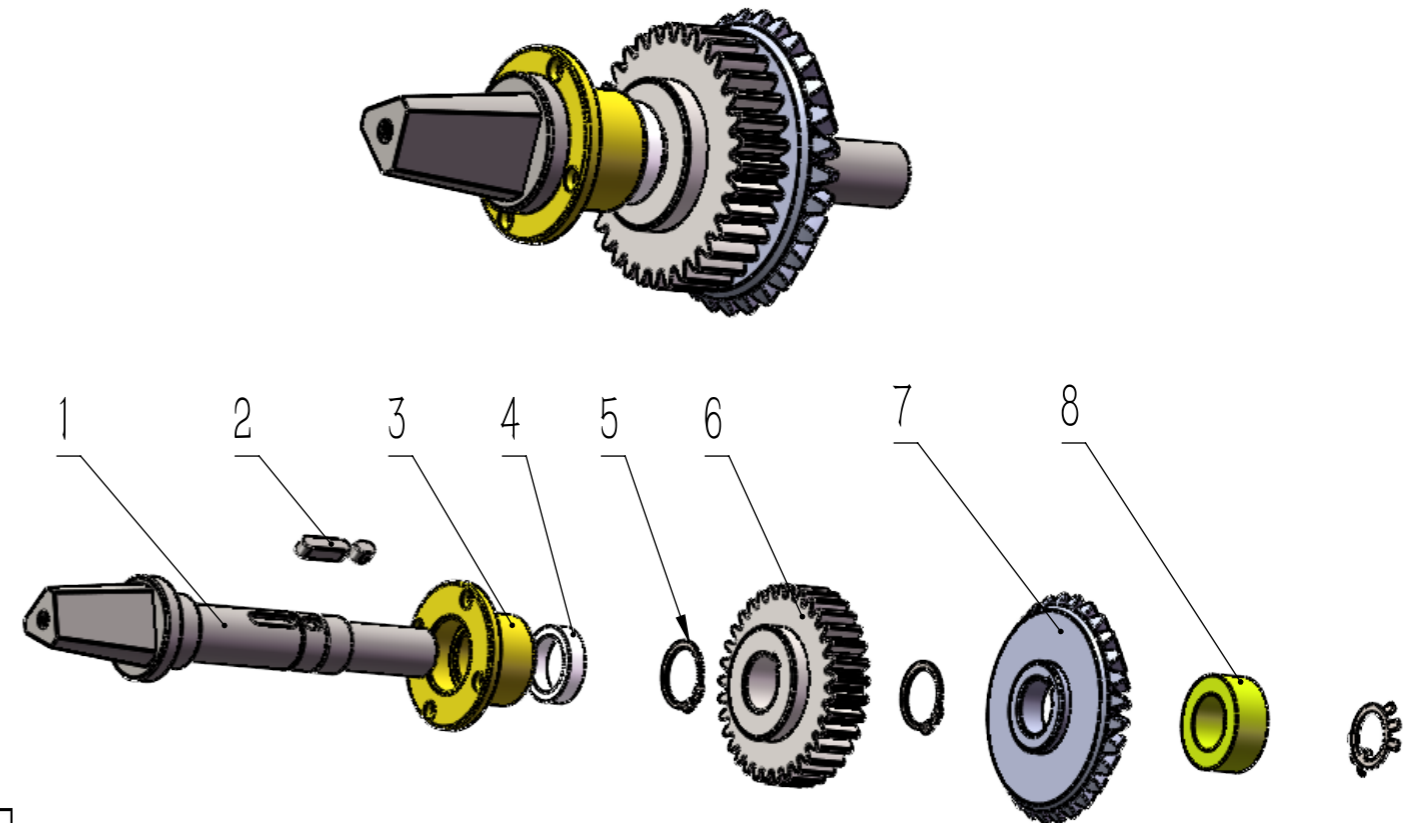


NO.	DESCRIPTION
1	Peeled bracket stainless steel
2	Peeler
3	Peelers base





NO.	DESCRIPTION
1	Triangular shaft
2	Flat key
3	Front nylon sleeve
4	Front axle sleeve
5	Shaft ring
6	Small bevel gear
7	Large bevel gear
8	Rear axle sleeve



NO.	DESCRIPTION
1	Gear Motor
2	Small bevel gear
3	Triangular shaft combination driving
4	Four Pyramid Components
5	Safety switch
6	Triangular shaft combination driving
7	Rear nylon sleeve