

ggmgastro
INTERNATIONAL

COMMERCIAL ORANGE JUICE MACHINE

USER MANUAL



MODELS: OPRM



1.PRESENTATION

Dear user;

Our best thanks to you about you to choose our product and trust in us. Our products are used in lots of domestic cities like your choice. Our product is manufactured according to the standard rules. We kindly remind that you to read the user manual carefully for having the best performance against your expectations from the product and using for long time and be sure the other users read it, too. Please care about the rules written below before calling the service.

2.WARNINGS

Please read this manual carefully and be sure the other users read it, before the product is installed and operated for first. The product will be out of warranty if you operate the device without reading the user manual. The user manual should be written carefully to install, use and the maintenance of the product that you have bought. The electrical circuit that you will plug in your product, should be suitable for the legislations. The faults are in your responsibility which are occurred by your electrical circuit. Please call the authorized service to have more information about the subjects that you have doubts or misunderstand. We wish you to have the best performance from the product. You will be charged when you want service next to you about this product.

3.DESCRPTION AND PURPOSE OF THE PRODUCT

The device is designed to be used in the industrial kitchen services (collective food services, restaurants, touristic places, buffets and etc.) This device is a commercial product. The motor which is fixed into the main body squeezes the fruit to get the fruit juice. The device seperates the pulp and the cores of the fruit. The device has 2 different size squeeze apparatus.

4. SAFETY DETAILS

- The device works with 220-230 Volt ~ 50-60 Hz electricity.
- If the electrical cable is damaged please contact with the service.
- The device should be switched off before plugged into the electricity.
- The all flammable solid and liquid materials (cloth, alcohol kinds, petrochemical materials, wooden materials, plastic materials and curtain) should be removed from the area that the device is operated.
- Do not clean the product under flowed and pressured water.
- The device can be used together with our other products in the same product serie.
- The device should be located and operated in a suitable for legislation and well aired place. Please check the instructions before locating and operating the device.
- The device is produced to use for industrial purposes and should be used by the well educated person.
- Noone should try to fix the device except the producer and the authorized service.
- If any flame occurs next to the device in the close location, please shut down the gas valves and the circuit breaker with out any panic. Use fire extinguisher. Never use water to extinguish the flame.
- The device should be plugged into the grounded socket out. Be sure that you have grounded line in your electricity circuit.
- All user should read the user manual.
- Keep away from the children.
- Do not use the device out its main purpose.
- Do not close the air flow holes of the device.
- The device should be located on a non-flammable surface.

5. USING THE DEVICE

5.1. FIRST USE:

- Clean the parts which touch directly to the food carefully and well .
- Remove the splash blocker helmet.
- Remove the squeeze part by pulling it upwards.
- Remove the filter and its cap by pulling them upwards.
- These parts should be cleaned with a standard dish detergent and be dried well.

5.2. USAGE:

1. Fix and prepare the case, filter, squeeze apparatus and its helmet.
2. Cut the fruit in the half.
3. Put a glass in front of the juice flow case.
4. Turn on the on-off switch and operate the device.
5. Push and hold the half of the fruit on the squeeze apparatus. Hold the splash blocker with your other hand. That gives an ergonomical usage.
6. Turn off the device at the end of the use.

5.3. CLEANING:

- Plug out the device from the electricity socket before cleaning.
- Remove and clean the squeeze part from the main body.
- Clean the device after every use.
- Do not let the water touch the motor. Do not pour water into the machine. Clean the main body with a wet cloth.
- Do not clean the main body under flow water.
- You can wash the removable parts in the dishwasher.

5.4. CARRYING AND MOVING

- Plug out the device from the electricity socket before carrying.
- It can be carried by human power.
- Do not bump or drop the device while you carry it.

5.5. MONTAGE:

- The under set desk should be parallel with the ground and have adjustable legs when the device is used on it.
- The electricity circuit should be checked by an authorized person and has to be connected to the circuit breaker that is located at least 170 cm height.
- The electricity circuit should have a leakage current breaker as 30 mA.
- The device should be used with a grounded electricity circuit.

5.6. EFFICIENCY USE

- Switch off the device when it is out of use.
- Always keep the device clean.
- Please obey the directives written in the user manual.
- At 24 °C, you can have the best performance from the device.
- The device can work between -5 and +40 °C.

6. CLEANING AND MAINTENANCE

6.1. CLEANING:

- Clean the out surface with a sponge via using dish detergent and dry it out after every end of service beginning the first use.
- Do not use nitric acid or any kind of CHEMICAL MATERIALS to clean the device.

6.2. MAINTENANCE:

- Before any maintenance plug out the device from the electricity socket.
- Worn off parts should be replaced with the original exparts.
- The periodical maintenance should be done by the user.
- We recommend to maintenance for about per every 2 months according to the using frequency.
- It will be charged to user for maintenance even the device is warranty.

Before any maintenance plug out the device from the electricity socket.
Worn off parts should be replaced with the original exparts.
The periodical maintenance should be done by an authorized technician.
We recommend to maintenance for about per every 6 months according to the using frequency.
It will be charged to user for maintenance even the device is warranty.

6.3. LIFE OF THE DEVICE

The life of the device is about 10 years if it is used according to the recommendations in the user manual.

6.4. FAULTS AND FAULT SOLUTIONS

1- The device is connected to the electricity socket out but it is not working!

- Check the main circuit breaker,
- Check the electric cable of the device,
- Check the thermostat and the on / off switch,
- If the problem still continuous please call the authorized service.

Do not struggle to fix it by your self.

2- Fruit juice is not coming out;

- Check the filter and be sure it is cleaned.

6.5. SERVICE AND EXPART POINT

You can find all comunication information about our services in the link below.

www.ggmgaastro.com

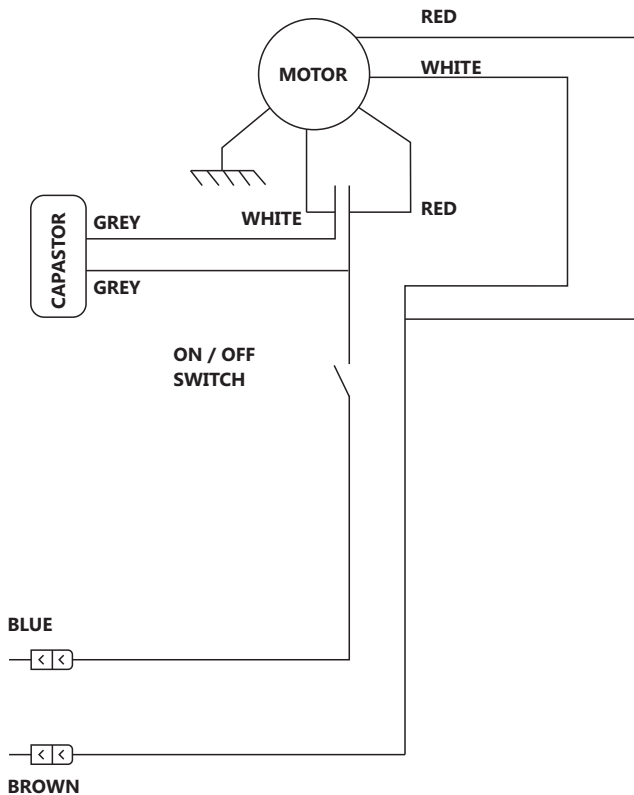
7. TECHNICAL PROPERTIES AND THE LABELS

<i>Code</i>	<i>Product Dimensions</i>	<i>Weight</i>	<i>Power</i>	<i>Voltage</i>	<i>Frequence</i>
OPRM	225*260*445mm	6 kg	180 W	220-230 V	50-60 Hz

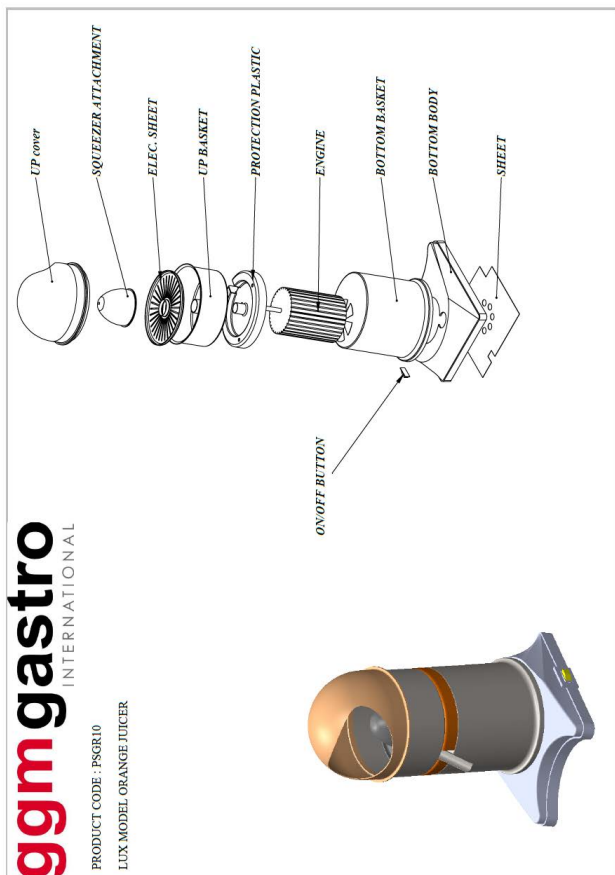
ELECTRIC ORANGE JUICER		CE
Article Code: PSGR10 Model: LUX MODEL		
Voltage.....: 220 - 230 V 50-60 Hz Nominal Current.....: 1 A Power.....: 180W Product Class.....: I / IP 20 Weight.....: 5 KG Dimension.....: 225x260x445 mm		
Serial No:		

WARNING! GROUNDED ELECTRICITY CIRCUIT

8. WIRING DIAGRAM



9. PARTS DESCRIPTION





GGM Gastro International GmbH
Weinerpark 16
D-48607 Ochtrup

www.ggmgastro.com info@ggmgastro.com
+49 2553 7220 0