



Juice Machine

# Instruction

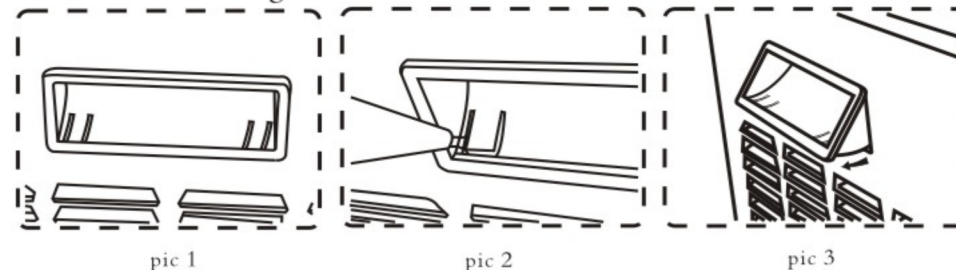
Please read the instructions carefully before using the machine.

# CATALOGUE

1. Purposes and features .....	1
2. Main technology parameters .....	2
3. Installing Methods and Notices .....	3
4. Use methods .....	3-4
5. Cleaning .....	5-6
6. How to remove the troubles .....	6
7. Parts List .....	7-12
8. Parts Dismounting .....	13

## 8. Parts Dismounting

### Panel Dismounting Method

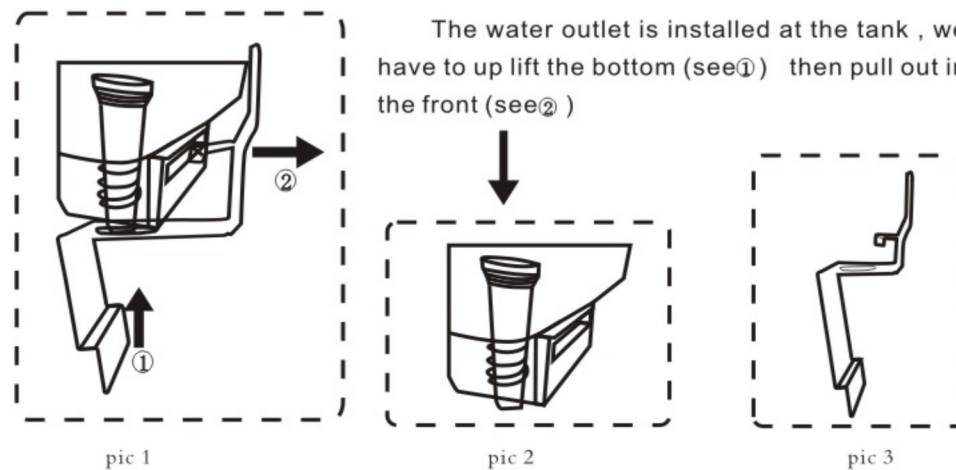


In order to take off the panel , we have to take off the handle first (see pic 1)

Using slot type screwdriver pry up the panel side ( see pic 2)

Pry up both side of the handle , then take off the handle from panel

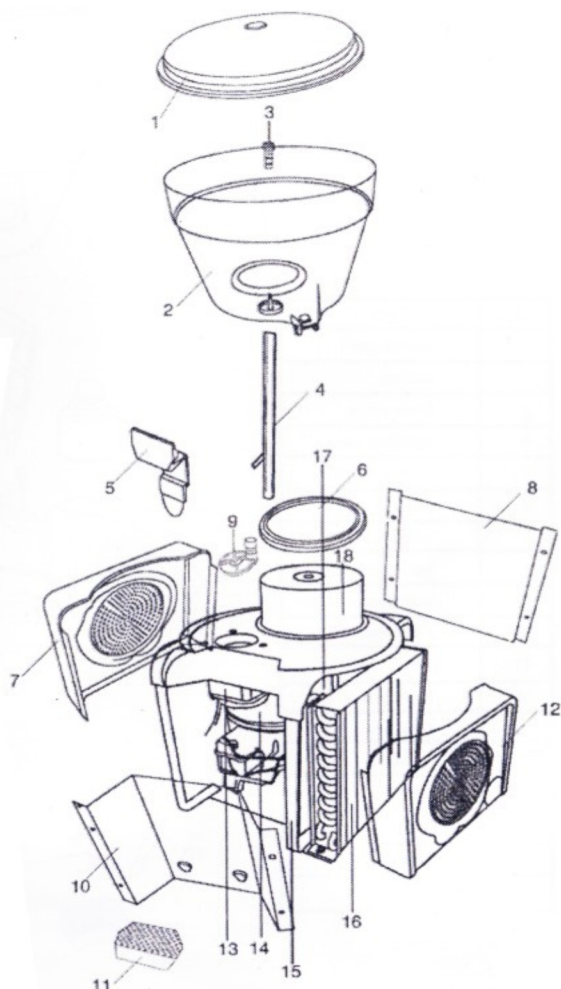
### Water Outlet Dismounting Method



The water outlet is installed at the tank , we have to up lift the bottom (see①) then pull out in the front (see②)

## Spray juice machine parts diagram

no.	parts name
1	barrelhead
2	staving
3	drain valve
4	agitating vane
5	stirring motor
6	seal ring
7	left side panel
8	back side panel
9	water spray nozzle
10	front panel
11	sink
12	right panel
13	compressor
14	frame
15	condenser
16	fan
17	evaporator
18	stir rods



## Instruction of cold juice dispenser

Thanks for you choosing and using SSNC-20LN-30LN-40LN-18LN-36LN -54LN-50N series cold juice dispenser to ensure that you can use normally and effectively, we supply the instruction and ask you to pay attention to as follows:

1. Before use the juice dispenser, please read the instruction first and master the operation methods.
2. Please use it according to the performance parameters defined on the voltage, power and the relative supply power cable.
3. Please pay attention to the direction for the materials, which will not influence the normal use.
4. To protect the customers health, please wash the juice dispenser.

### 1. Purposes and features

The cold juice dispenser is manufactured by us based on absorbing the technologies from home and abroad. It can make the various beverage and juice to be delicious liquid cold drink. It used widely in the restaurant, hotel, Entertainment sites, cold drink house, and usually, it is popular in the common drink booths

It has reasonable configuration, excellent performance, pretty appearance, and simple operation. The main parts are made of the stainless copper and innocuous plastics. It adopts automatically control the temperature to make cold drink, magnetization and the spewing fixture to make the even temperature and improve the refrigeration and calefaction effect. Two containers or three containers juice dispenser can sell two or three different kinds of juice at the same time, which is an ideal appliance to consumers (1 juice dispenser, 2 purposes), and can be use all the year.

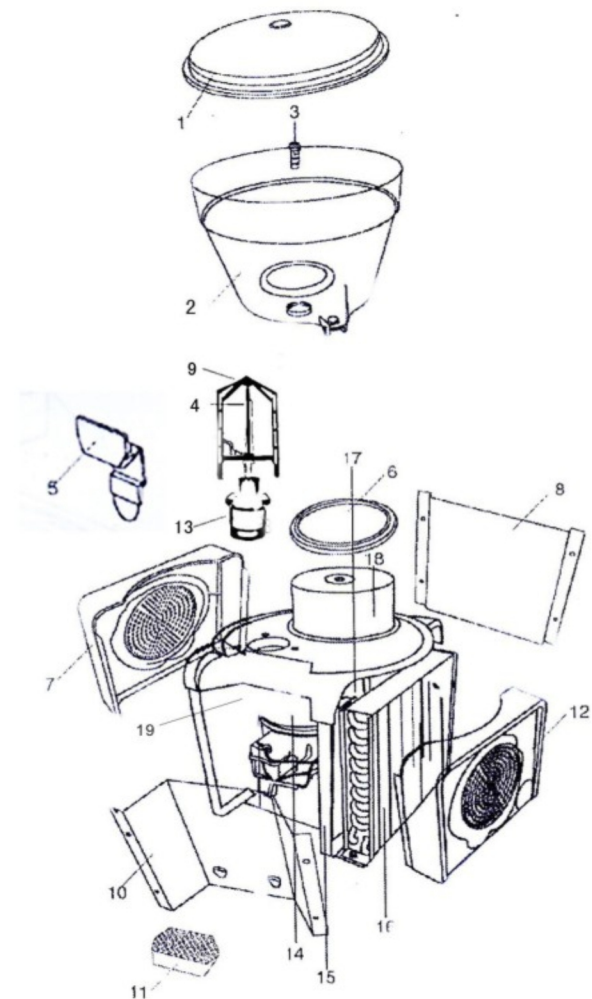
## 2. Main technology parameters

Model	SSNC /ASSN		
Capability	18LN	36LN	54LN
Power Supply	EUR:220-240V/50Hz	EUR:220-240V/50Hz	EUR:220-240V/50Hz
Power	Cold 290W	Cold 600W	Cold 700W
Cold-beverage temperature	7-12°C	7-12°C	7-12°C
Machine size	345X445X700mm	460X445X700mm	710X445X700mm
Weight	20kg	27kg	38kg

Model	SSNC /ASSN			
Capability	20LN	30LN	40LN	50N
Power Supply	EUR:220-240V/50Hz	EUR:220-240V/50Hz	EUR:220-240V/50Hz	EUR:220-240V/50Hz
Power	Cold350W	Cold600W	Cold500W	Cold400W
Cold-beverage temperature	7-12°C	7-12°C	7-12°C	7-12°C
Machine size	320X445X680mm	450X445X680mm	590X445X680mm	398X335X680mm
Weight	21kg	27kg	39kg	25kg

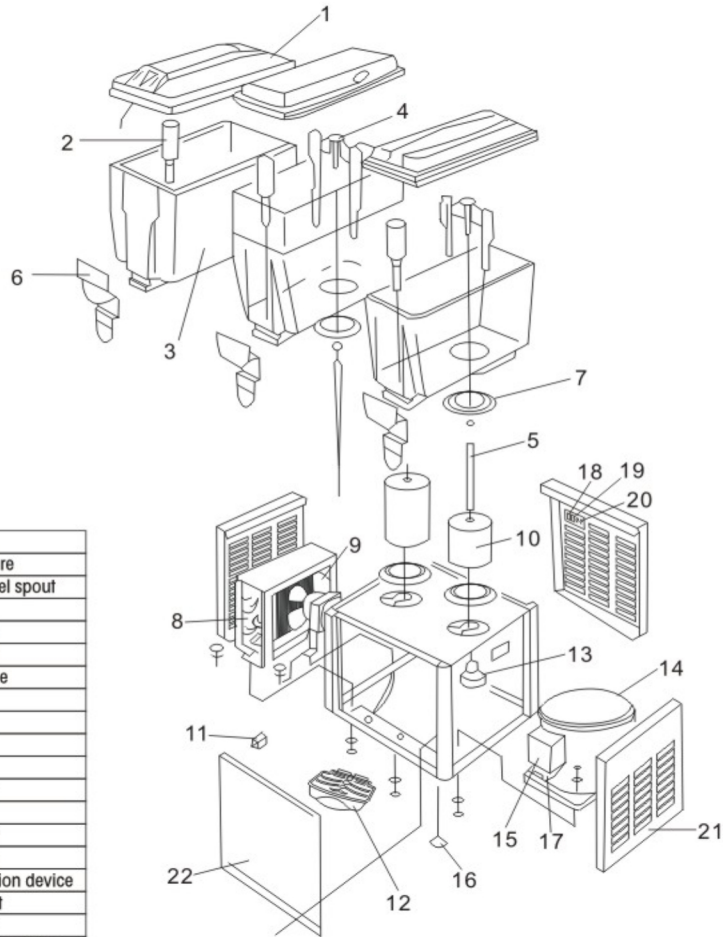
## Stir juice machine parts diagram for 50N

no.	parts name
1	roof
2	tank
3	outlet valve
4	mix pole
5	ourlet handle
6	seal ring
7	left pedel
8	back pedel
9	mix leaf
10	front panel
11	water tray
12	right panel
13	mix motor
14	compressor
15	rack
16	condenser
17	fan
18	evaporator
19	temperature control





## Stir juice machine parts diagram for SSNC18LN,36LN,54LN



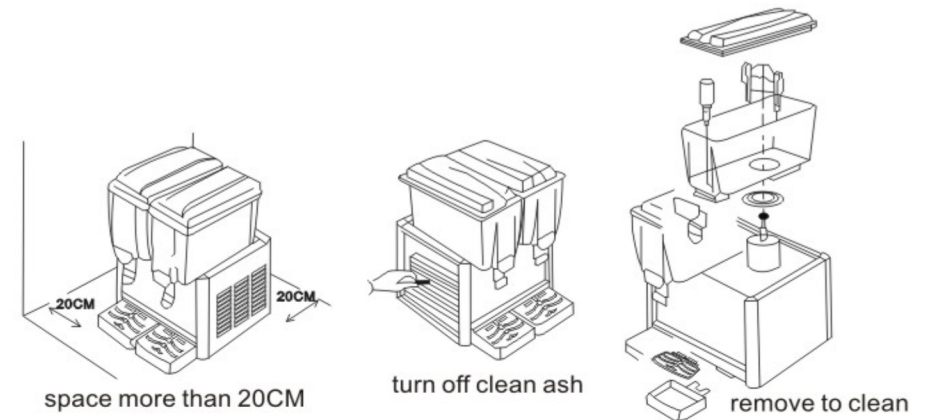
No	Name
1	Superstructure
2	Stainless steel spout
3	Cylinder
4	Stirring leaf
5	Stirring pole
6	Water handle
7	Ring
8	Condenser
9	Fan motor
10	Evaporator
11	Thermostat
12	Water tray
13	Spray motor
14	Compressor
15	Filter protection device
16	Machine feet
17	Start switch
18	Refrigeration switch
19	Spray switch
20	Heating switch
21	Left and right panels
22	Front and rear panels

### 3. Installing Methods and Notices

1. To install it ,please choose the site which is flat ,fixable and can avoid the direct sunshine in

2.Around the machine , should have 150mm up room to make the air circulating and make sure the machine can run effectively.

3.Before installing it, please check the supply power whether confirms to the requirements or not. The power supply cable is not too thin or too long .The cross section of cable should be 1.5-2.5mm, voltage is mounted on the fixed position with fuse which will the users safety , it must have the reliable grounding . The socket should be mounted on the fixed position with fuse which will keep the machine running safety.



### 4. Use methods

#### A. How to use the cold beverage machine

1. To fall the prepared beverage into the crock, the height of it is should not exceed the standard height( 20LN-30LN-40LN-18LN-36LN-54LN-50N ), otherwise, the beverage will flow into the churn-dasher from the dasher tube, which will make the dasher burn.

2. The temperature of the beverage should not too high(no exceed 35℃ ), otherwise, it will make a bad effect for refrigeration.

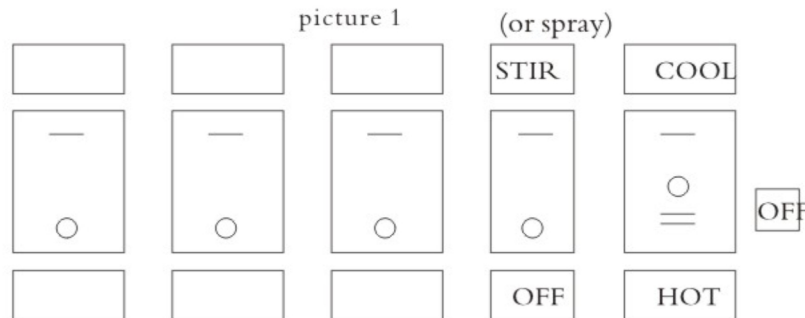
3. Plug in the supply power to the 3 holes socket, the grounding hole should connect with the protectable wire or fixture to ensure the safety.

4. To turn the switch on the position of refrigeration, press down the refrigeration switch, the compressor fan starts running and refrigeration system starts working. Then start the dasher to mix or start the spewing switch to spew.

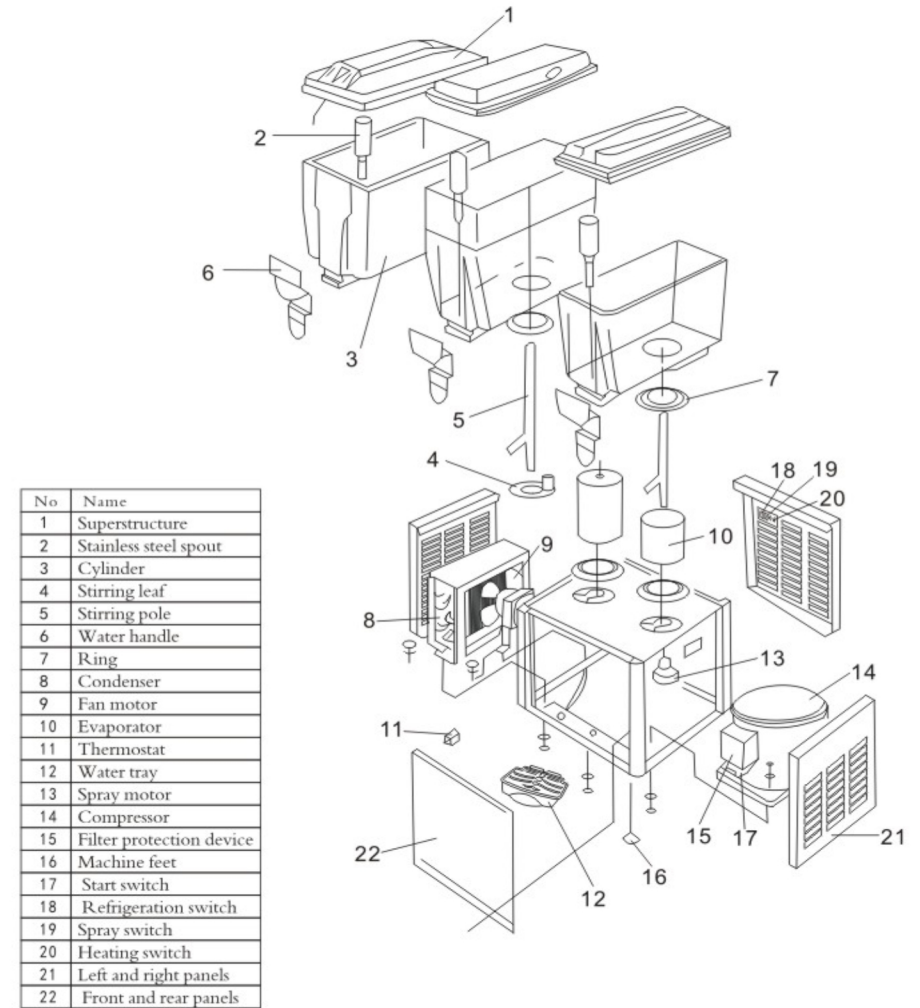
5. When the beverage become to the suitable temperature ,please make the cup against the push board lightly, the beverage will flow into the cup from the outlet mouth.

6. When the temperature reduces to the certain degree, the refrigeration will stop running because of the influence from the temperature controller. And when it increases, it will start automatically again.

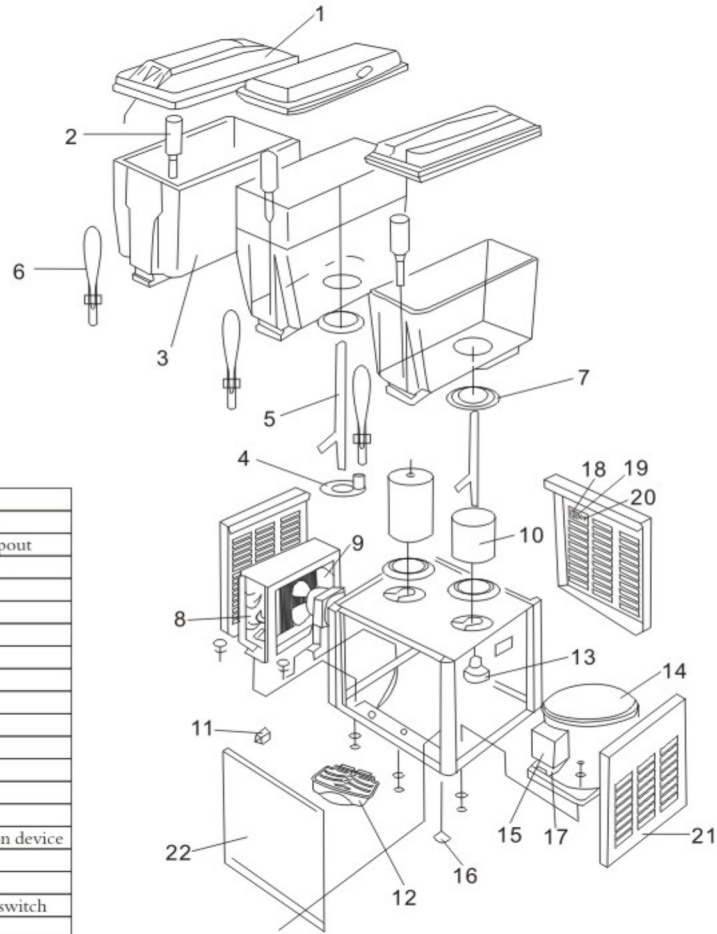
7. It should restart after 5 minutes if it turn off suddenly or stop temporarily, otherwise,it will damage the compressor.



## Spray juice machine parts diagram



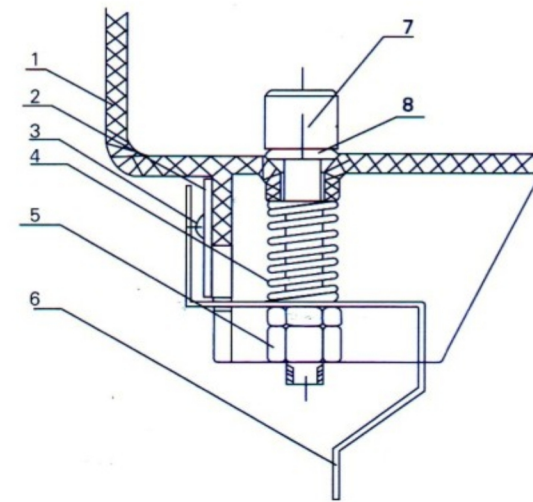
## Spray juice machine parts diagram



No	Name
1	Superstructure
2	Stainless steel spout
3	Cylinder
4	Stirring leaf
5	Stirring pole
6	Water handle
7	Ring
8	Condenser
9	Fan motor
10	Evaporator
11	Thermostat
12	Water tray
13	Spray motor
14	Compressor
15	Filter protection device
16	Machine feet
17	Start switch
18	Refrigeration switch
19	Spray switch
20	Heating switch
21	Left and right panels
22	Front and rear panels

## 5. Cleaning

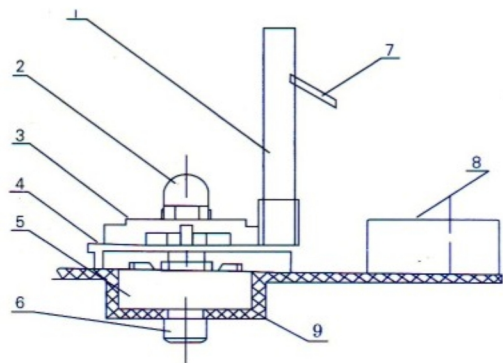
1. Please wash the machine on time, in order to stay healthy
2. Turn all the power off
3. Let the remaining liquid out of cylinder, then remove the cylinder < just hold and move slowly >
4. Cleaning the spout: Unscrew the nut from the bottom of discharge mouth or turn the discharge mouth 90°, remove the discharge mouth (picture 2)
5. Cleaning cylinder: Unscrew the nut < 2 >, then remove the gasket < 3 >, pump < 4 > and impeller. (Picture 3)



picture 2

No	Part
1	Cylinder
2	Plate
3	Self-tapping screws
4	Spring
5	Nut
6	Valve plate
7	Spool
8	Gasket





picture 3

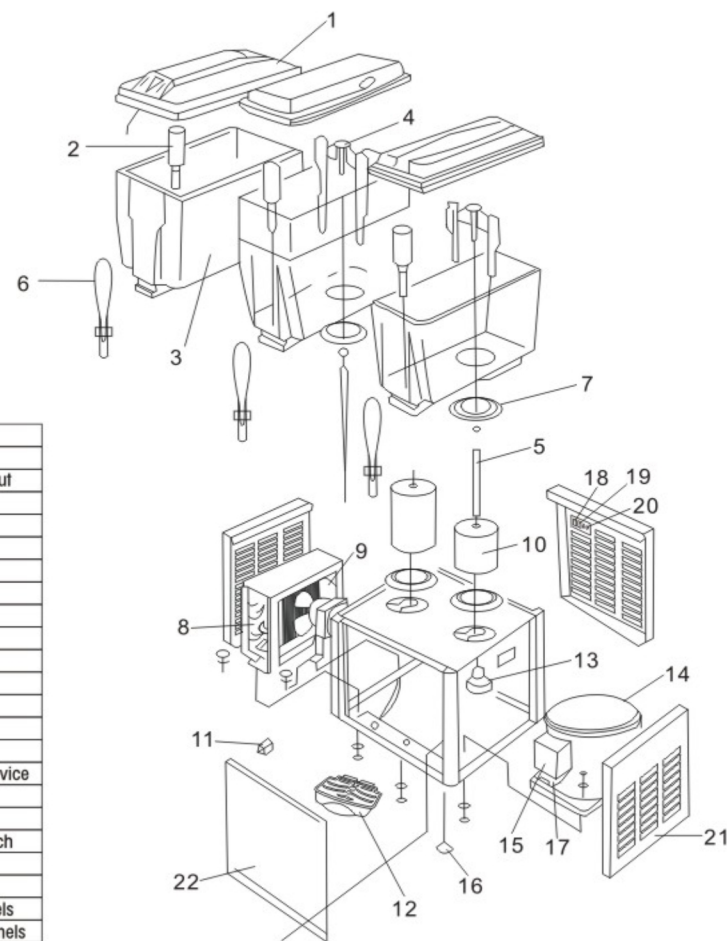
No	Part
1	Spray pipe
2	Nut
3	Gasket
4	Pump
5	Impeller
6	Positioning axis
7	Spray manifold
8	Evaporator
9	Cylinder

## 6. How to remove the troubles

Troubles	Causes	Repair methods
Compressor stops Working	<ol style="list-style-type: none"> <li>1.The supply power off or not connected</li> <li>2.Switch damaged</li> <li>3.Circuit trouble</li> <li>4.Over load and the protector broken</li> </ol>	<ol style="list-style-type: none"> <li>1.Check the supply power and socket</li> <li>2.Replace the switch</li> <li>3.Check and repair</li> <li>4.Check and replace</li> </ol>
Compressor runs but no refrigeration	<ol style="list-style-type: none"> <li>1.Capillary stop</li> <li>2.The refrigeration fluid leaked</li> <li>3.the electrical broken</li> </ol>	<ol style="list-style-type: none"> <li>1.replace the capillary or dry filter</li> <li>2.Check the systems and add the medicine</li> <li>3.replace the electrical machine</li> </ol>
Winnowing water abnormally	<ol style="list-style-type: none"> <li>1.differences in the pump inside</li> <li>2.impeller and holes damaged</li> <li>3.circuit damaged</li> <li>4.big clearance between the impeller and crock</li> </ol>	<ol style="list-style-type: none"> <li>1.clean</li> <li>2.Replace the impeller and pump</li> <li>3.check and repair</li> <li>4.adjust the clearance</li> </ol>
Crock leaking	Sealing ring old or installed badly	Replace or re-install
Valve leaking	Sealing ring old or installed badly	Replace or re-install

## 7. Parts List

### Stir juice machine parts diagram for 20LN,30LN,40LN



No	Name
1	Superstructure
2	Stainless steel spout
3	Cylinder
4	Stirring leaf
5	Stirring pole
6	Water handle
7	Ring
8	Condenser
9	Fan motor
10	Evaporator
11	Thermostat
12	Water tray
13	Spray motor
14	Compressor
15	Filter protection device
16	Machine feet
17	Start switch
18	Refrigeration switch
19	Spray switch
20	Heating switch
21	Left and right panels
22	Front and rear panels