

INTRODUCTION

Dear Customer,

Thank you for choosing our product. This machine, thanks to its reliability, will be able to win your preference also for other products in our range.

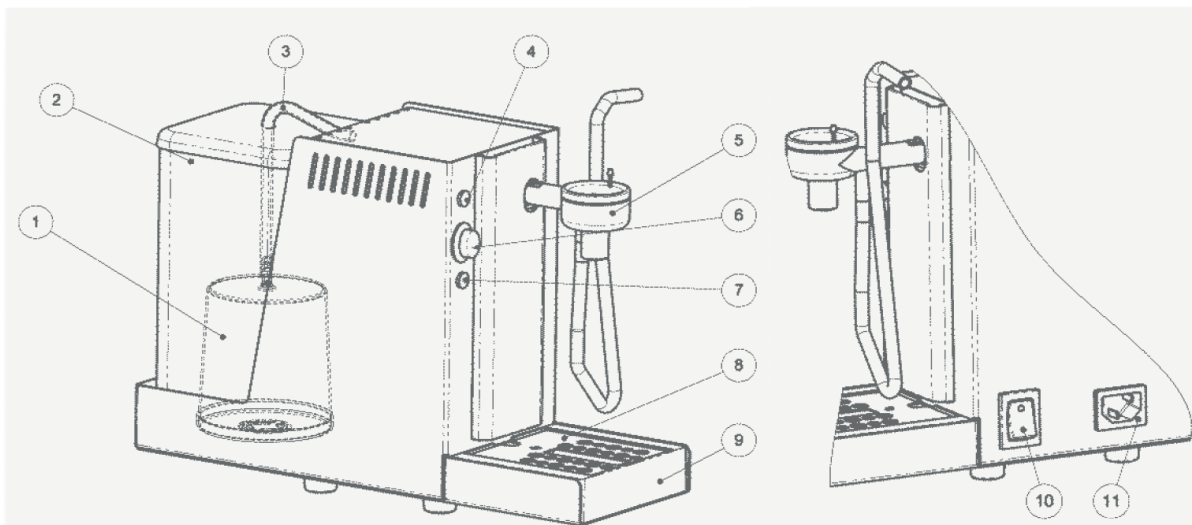
Notwithstanding the ease of use of the machine, in order to get the best results it is important to thoroughly read this booklet and follow all instructions before starting the machine.

GENERAL INFORMATION

This machine is simple to use. It is designed for preparing frothed milk, but it can also be used for heating water for tea and herbal teas.

Any other use is considered improper and dangerous.

DESCRIPTION OF COMPONENTS AND ACCESSORIES



- 1) Demineraliser filter
- 2) Water container with perforated lid
- 3) Water suction hose
- 4) Power ON warning light
- 5) Milk frother
- 6) Dispense button
- 7) Boiler heating warning light
- 8) Cup supporting grille
- 9) Drip tray
- 10) Main Switch
- 11) Plug for IEC power supply cable (cable supplied)

IMPORTANT PRECAUTIONS AND SAFETY REGULATIONS

Make sure to implement all necessary precautions to avoid any contact of the machine with liquids. Liquids can seep inside the machine and cause short-circuits or energise external parts of the machine.

- Thoroughly read all information contained in this manual and in any other attachment included in the packing.
- Ensure that the power supply voltage indicated on the data plate of the machine is compatible with the one from your power supply outlet.

When using electric material it is important to ensure the appropriate precautions are adopted in order to avoid electric shock, accidents and damage to persons or things.

- Take special care while using the machine in the presence of children.
- Verify that the main switch of the machine is not pressed before plugging or unplugging the power supply plug.
- Unplug the power supply plug from the power outlet and wait for the machine to cool down before starting any maintenance or cleaning operations.
- Do not use the machine when one or more components are damaged or missing (power supply cable, plug, switches, etc.). Get the machine to be checked or repaired at the nearest service centre.
- The use of accessories that are not recommended by the manufacturer can cause damage to persons or things.
- Do not immerse the machine in any kind of liquid; do not clean it with any strong detergents. It is sufficient to use a soft cloth soaked in warm water.
- To avoid short-circuits and/or electric shocks keep away from the machine liquids that may accidentally be spilled over the machine.

In the event of doubt or should the instructions in this manual not be clear enough, do not hesitate to ask for clarification from the supplier, from an authorised service centre or directly from the manufacturer.

INTENDED USE OF THE MACHINE

The machine **CAPPUCCINO** is intended for adult persons informed on its operation, to be used in a sensible, conscious and careful manner (should the machine be used by other persons, we recommend to make this booklet available to them).

It is intended for indoor use only.

The machine is intended exclusively for heating milk or water.

It is not suitable for any other use different from the above.

Do not make any changes, and do not use the machine improperly or for a purpose different from the one for which it was designed.

INSTALLATION

After opening the packing ensure that the machine is intact and check that all of the main parts are included

Plastic bags, polystyrene, nails etc. are potential sources of danger, therefore they must not be left unattended or within the reach of children.

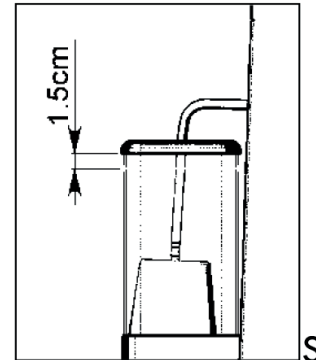
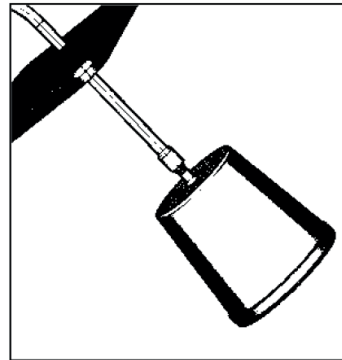
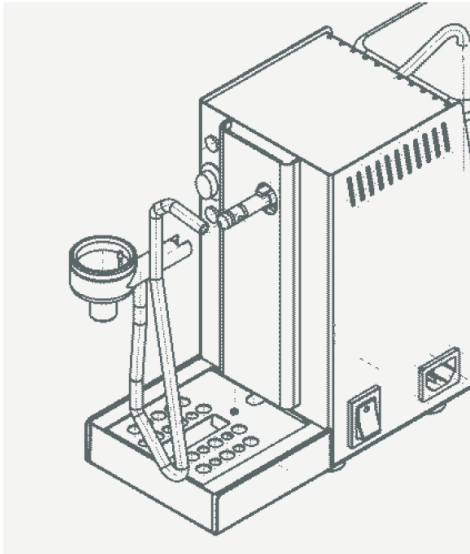
The machine must be positioned on a level, solid and stable surface, away from heat sources. Ensure a free space at the sides and at the back of the machine of at least 20 cm.

There must be sufficient free space to allow the operator to have access to the machine in the event of malfunctions.

Choose a hygienic and well lit room with an easy to access power outlet.

PRELIMINARY OPERATIONS

Wash with hot water any components that come into contact with the drink: water container, frother and related pipe.



Rinse the demineraliser filter, then fill the tank with fresh drinking water.

House the water container in the rear of the machine, connect the demineraliser filter to the intake tube and insert it inside the

container, as shown in the image (considering that the filter contains air, it will tend to float; in any case try making it stay immersed closing the water container lid).

Please pour into the container only fresh drinking water. Any other liquid damage the machine.

ELECTRICAL CONNECTION

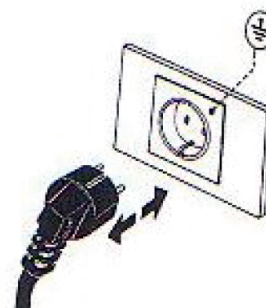


After the placement of all components, make sure that the 2 switches are not pressed (OFF position).



Check that the voltage indicated on the rating plate corresponds to the mains which will be connected.

Insert the power plug into a suitable power outlet. It is indispensable that the socket outlet be compatible with the machine and provided with a pole for earth connection. Avoid the use of extension cords or electrical adapters .



IMPORTANT PRECAUTIONS AND RECOMMENDATIONS FOR CORRECT USE

- *THE MACHINE MUST OPERATE WITH A FILTER AND WHEN EXHAUSTED IT MUST BE REPLACED.*
- *USE ONLY ORIGINAL FILTERS, AS THEY ARE DESIGNED SPECIFICALLY FOR THIS MACHINE MODEL.*
- *PAY SPECIAL ATTENTION!: THE MACHINE MAY UNEXPECTEDLY BLOW STEAM BECAUSE OF SMALL WATER RESIDUE IN THE BOILER. COMPONENTS NEAR THE OUTLET POINT OF THE STEAM MAY BE VERY HOT: **BURNING HAZARD.***

STARTING THE MACHINE



When first starting the machine, after a long stop or if the DEMINERALISER FILTER has been replaced, the water circuit must be filled.

Turn on the machine by pressing the main switch (10). Place a container under the FROTHER.

Approximately 2 minutes after switching on the machine, press the DISPENSE BUTTON (7).

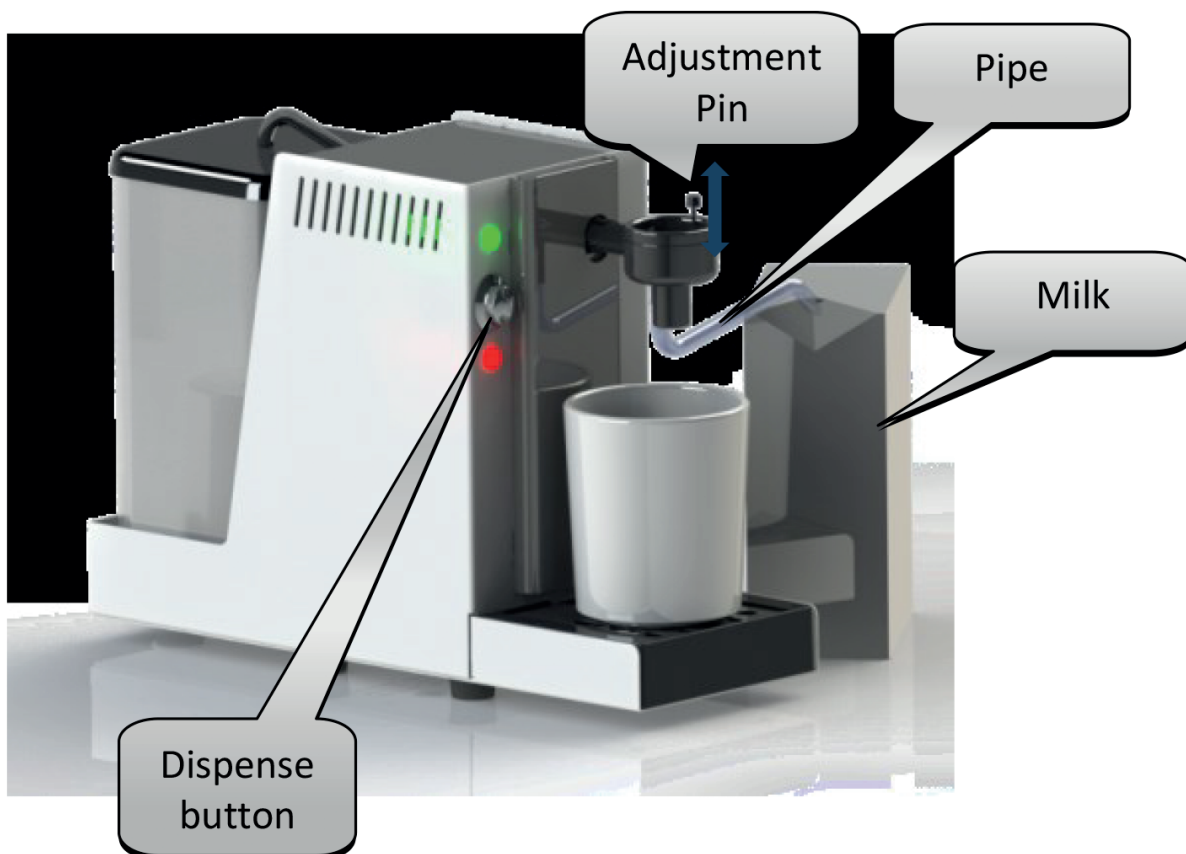
Check that the filter in the water tank begins to fill with water and sinks to the bottom. Then steam should start flowing out of the frother. Continue dispensing for further 10 sec., then stop by pressing again the button.

Now the machine is ready.

PREPARING HOT FROTHED MILK

Plain milk or frothed milk can be prepared.

1. After switching on CAPPUCCINO for about 2 minutes, verify that the power warning light is switched off, indicating that the boiler reached the pre-set temperature.
2. Insert the suction TUBE in a container with milk.
3. After placing the cup under the dispensing point, press the DISPENSE button.
4. After a first puff of steam, milk will be sucked through the PIPE and it will start flowing out of the frother.
5. You can change the way the milk is frothed by using the adjustment PIN.



DEMINERALISER FILTER

Warning:

The machine must NEVER be operated without a filter, it would fail in a very short time.

The operating life of the filter supplied is sufficient for about 1500 preparations (100 ml each).

After exhausting its efficiency it must be replaced. If the machine is used daily, we recommend replacing the filter at least every 6 months, otherwise at least once a year.

After installing the new filter, repeat the "starting the machine" procedure.

CLEANING

Daily or in any case after its use if no further dispensing is required, using a container of clean water, immerse the suction pipe and press the dispense button.

As in the preparation of frothed milk, the water will be sucked from the container rinsing the tube and part of the frother.

After removing the power cord from the power outlet, clean the body of the machine and the milk suction tube with a soft cloth dampened in warm water.

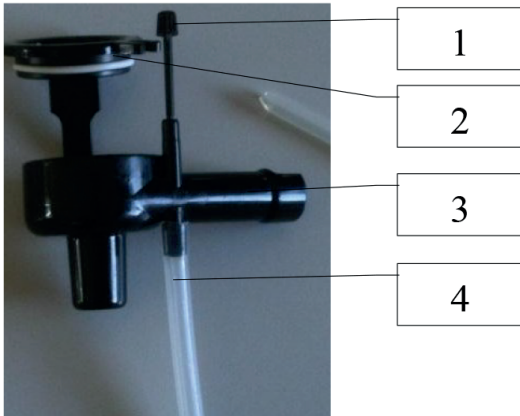
Daily wash and hygiene the water tank.

For thorough cleaning, remove the milk frother from its location (as shown in Fig. at page 16), then dismount it, and using a brush and dish-washing detergent remove any milk residue.

Before any cleaning operation, ensure that the machine is switched off and that the power plug is unplugged.

Do not insert objects of any kind into the slots on the machine.





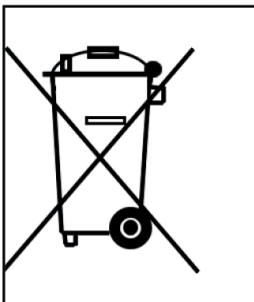
REPAIRS AND MAINTENANCE

In the event of failure, defects, or suspected fault after being dropped, immediately remove the plug from the socket. Never attempt to operate a faulty machine.

Only an authorized service centre or the manufacturer can make repairs.

In the event of work not carried out to standards, we decline all responsibility for any damage.

DISPOSAL



The WEEE directive (Waste Electrical and Electronic Equipment) requires the disposal of electrical and electronic products separate from ordinary domestic waste and equivalent. The purpose is to send the waste to authorized disposal plants, in order to promote possible forms of recovery or recycling.

The Directive covers also accessories, power cords, etc..

To dispose such products, please follow the guidance from the municipal authority and / or request more information from your dealer when purchasing a new product.