

MILK WARMER MWK10

INSTRUCTION

Please refer to these instructions before using this machine

Table of Contents

1. Specification
2. Structure
3. Illustrative Diagram
4. Operation Guide
5. Warning
6. Troubleshooting

1. Specification

Voltage: 220-240V

Power: 1500W

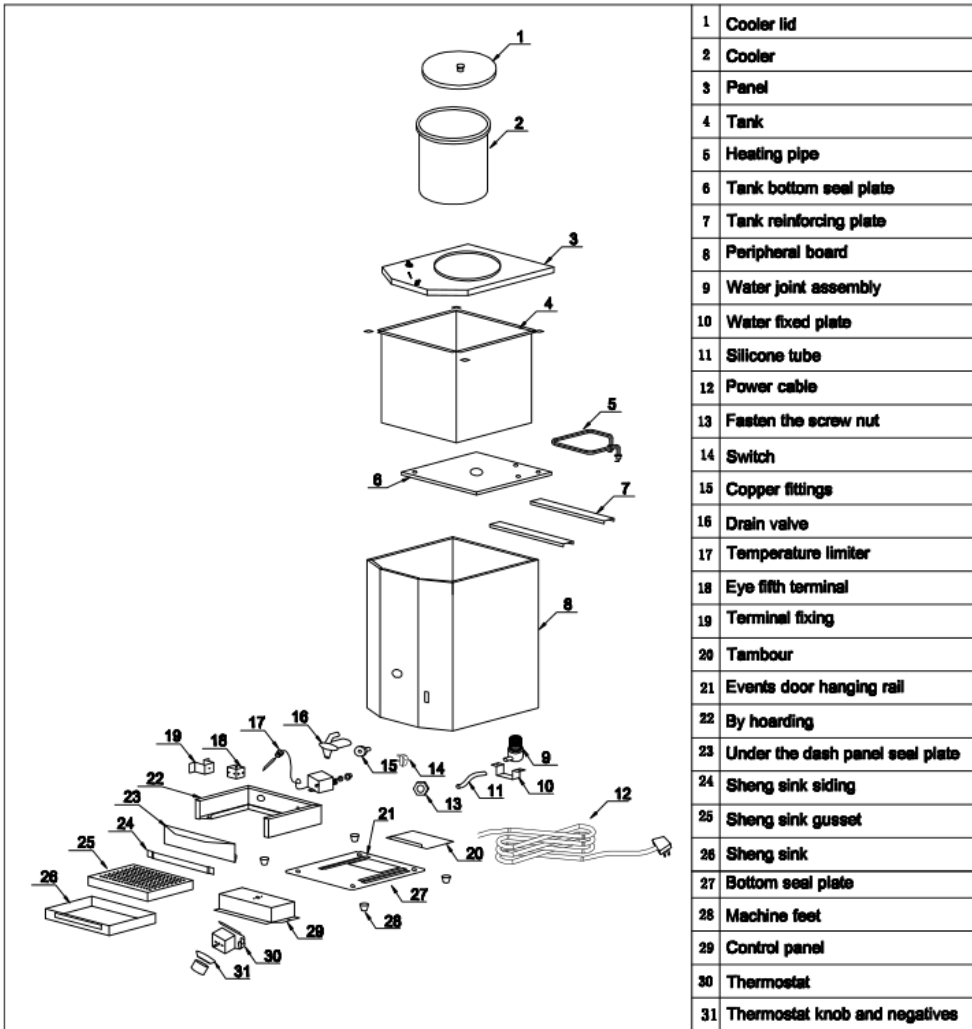
Temperature: 55-65°C

Capacity: 10L

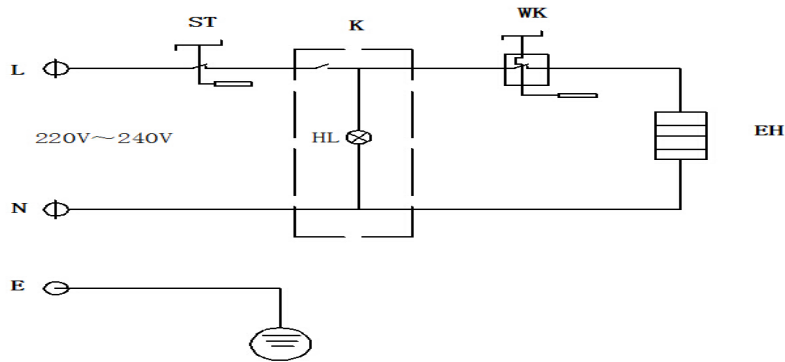
Frequency: 50Hz~60Hz

Current: 6.5A

2. Structure



3. Illustrative Diagram



4. Operation Guide

- 1) Please clean the milk barrel and internal water tank before using.
- 2) Fill the internal water tank with about 7 or 8 liters of water.
- 3) Put the milk barrel into the internal water tank and switch to the direction "CLOSE". The same, take out the milk barrel after switch to the direction "OPEN". During these operations, a little water in internal water tank will escape into milk barrel at beginning. Please let water out through the milk valve before filling milk into the milk barrel. Since there is an "O" rubber rings the connector of milk barrel for preventing leakage, no more water will flow into the milk barrel from internal water tank after the little water is out.
- 4) Fill milk barrel with milk, and then cover the lid.
- 5) Turn on the machine. Set the switch on "I". The indicator lights up, and then the machine starts working. When the temperature reaches 60-65°C, the power is automatically cut off. The temperature will drop subsequently. When temperature reaches 50-55°C, the power will automatically switch back. The machine starts working again to keep the temperature of milk at 55-65°C all the time.
- 6) Put the cups on the splasher, turn on the valve, then you can have nice milk.
- 7) Make sure the switch is at "O" and plug off the power if do not use for a long time.

5. Warning

- 1) Please refer to these instructions before using. This machine must be connected with the suitable power supply and the ground wire.
- 2) Place your machine on a flat, stable surface with well draftiness. Avoid placing machine near inflammables and explosives.
- 3) Caution: You have to fill water into the internal water tank before turn it on. The water level must be above heater 5cm. If you use the machine for a long time, you must keep filling water.
- 4) Milk barrel must be screwed tightly as the symbols show on the panel, unless the barrel will not be settled enough and the water will escape into the milk barrel from water tank.
- 5) Make sure all the milk in the barrel flew out before you clean and move the barrel, unless the residual will come in the water tank when you move the barrel.

- 6) To protect the unit and prevent injuries, be careful not to rinse it and soak the barrel. You may clean it with cotton cloth with some detergents and water, and wipe it over with clean cloth.
- 7) To prevent injuries, the destroyed power cord should be changed by manufacturer, maintainer.
- 8) These is a lack of accessories can be changed by you. If there is something wrong with them, please return to the manufacturer and maintainer.
- 9) This appliance is for commercial use, home-use and for indoor use only.
- 10) The appliances will be heating when working, especially for metal shell. Keep children and elder back, and be careful not touch the shell when working.
- 11) Set switch back at "O", cut the power off, make sure no more milk remained, and clean the barrel and the defrosting tray. Follow these steps after using the machine every time.
- 12) This appliance is not intended for use by persons (including children) with reduced physical, sensory or mental capabilities, or lack of experience and knowledge, unless they have been given supervision or instruction concerning use of the appliance by a person responsible for their safety. Children should be supervised to ensure that they do not play with the appliance.
- 13) If the supply cord is damaged, it must be replaced by the manufacturer, its service agent or similarly qualified persons in order to avoid a hazard.
- 14) CAUTION: In order to avoid a hazard due to inadvertent resetting of the thermal cutout, this appliance must not be supplied through an external switching device, such as a timer, or connected to a circuit that is regularly switched on and off by the utility

6. Troubleshooting

Troubleshooting			
	Fault phenomenon	Cause of Defective	Troubleshooting
1	The switch light does not light up	1. The power plug is not plugged in properly. 2. The power cord terminal is loose.	1. Plug in the power cord plug. 2. Remove the bottom sealing plate, check whether the wiring terminals at the entrance of the power cord are loose or not, and make sure it is affixed well.
2	The switch light is on but not heating	1. The temperature limiter to be operated due to the machine is dry boiling due to lack of water. 2. Thermostat failure. 3. The heating tube is burned out.	1. Unscrew the black cover of the temperature limiter and press the reset button in the middle to reset. 2. Replace the thermostat. 3. Replace the heating tube.
3	Water get into the milk	The rubber ring at the bottom of the bucket is damaged.	Replace the rubber ring.



GGM Gastro International GmbH
Weinerpark 16
D-48607 Ochtrup

www.ggmgastro.com info@ggmgastro.com
+49 2553 7220 0