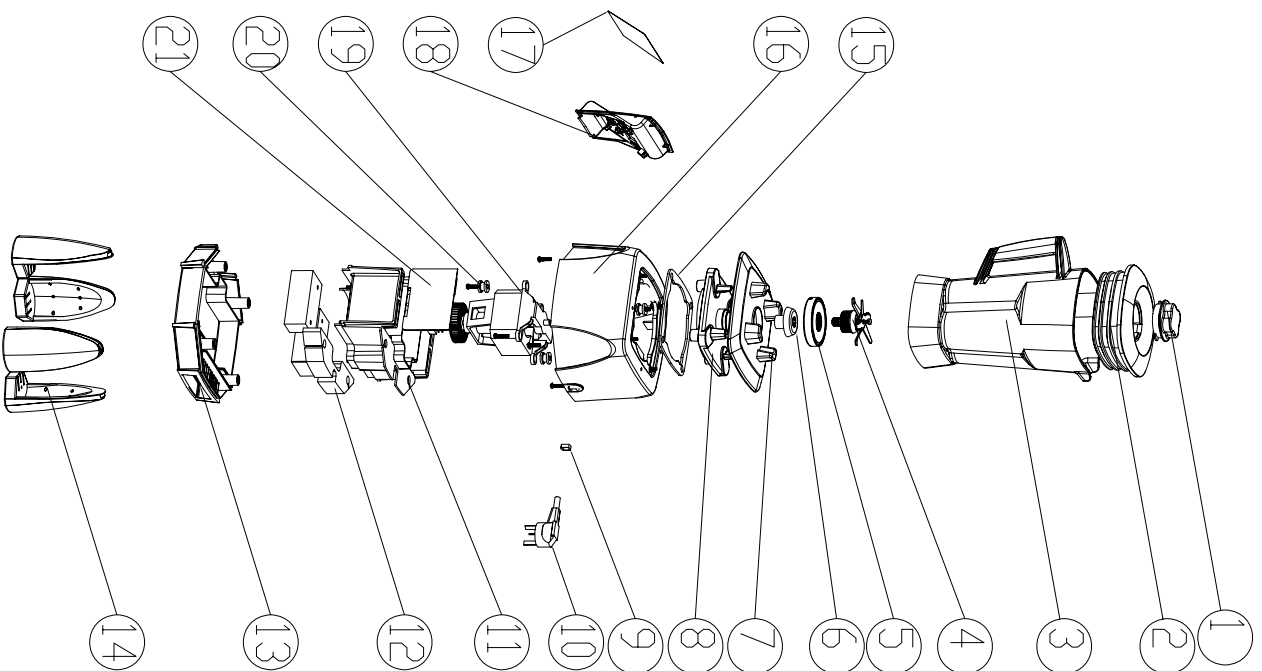


KS-1053



NO.	Name	Material		
1	small cap	PC		
2	CUP cap	TPR		
3	cup	PC		
4	blade ASM	stainlessS		
5	cup base	stainless		
6	clutch	PC/stainless		
7	cup pad	TPR		
8	Motor flame	AL		
9	wire clamp	PP		
10	wire	PVC/COPE		
11	Motor COVER	PC		
12	sponge	EVA		
13	bottom	PC		
14	FOOT	TPR/PC		
15	Motor cushion	TPR		
16	main board	PC		
17	button paper	PET		
18	button palate	PC		
19	MOTOR	IRON		
20	motor screw	PC		
21	control PCB			
22				
23				
24				
25				
26				
27				