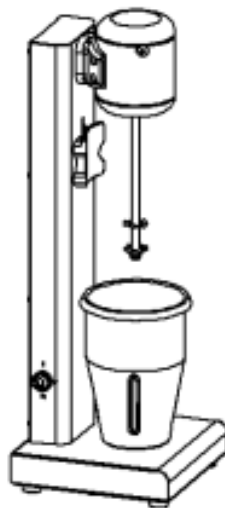


Single Milk Shaker

Manual

CMVA1



(1) High quality stainless steel body

(2) Elegant design

(3) Superior quality copper motor

(4) Low voice and high efficiency

I. Operating Instructions:

1. Fill the cup with proper amount of liquid so it does not over flow. Turn the mixer on , and allow the mixing wand to stir the beverage. Choose the appropriate speed setting (HI or LOW) to mix the liquid.

2. Please do not insert your fingers, hand, spatula or spoon into the stainless steel cup while the mixer is turned on. Keep hands and Fingers clear from mixing wand and mixing blade while power is turned on.

3. When tilting the motor housing for cleaning, please do not allow fingers to become "Pinched" with the hinge on back brace.

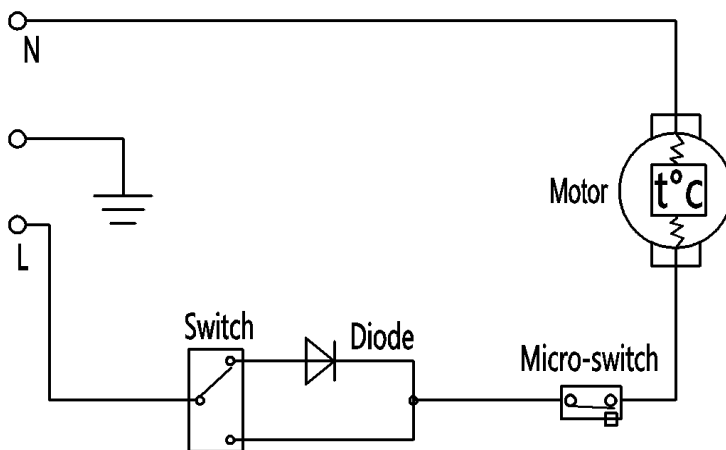
4. Please turn the main power switch to the off position and disconnect the power cable from the power supply before cleaning, servicing, replacing the mixing blade. Keep power cord away from liquids.

5. Please do not run the motor excessively for more than three minutes at a time.

II. Features:

Model	CMVA1
Capacity	1 Liters
Power/kw	0.08
Voltage/v	220V/50HZ
Motor Material	Copper
N.W/G.W	3.7/4.3 kgs
Dimension/mm	170*170*510

III. Circuit Diagram:



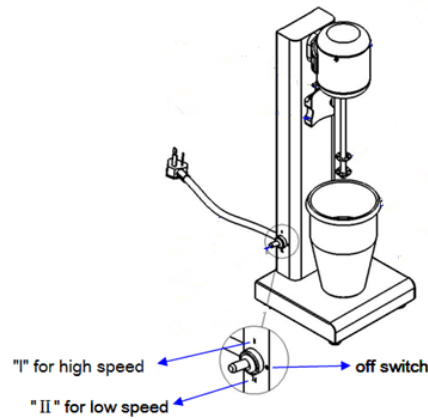
IV. Using your new blender:

1. Remove the equipment from its packaging and inspection or if there is any damage.
2. Before use, clean the glass of drink mixes with a damp cloth and soap.
3. Install beverage mixer on the counter near an outlet network.
4. Prepare the ingredients for mixing into the vessel.
5. When ready, turn on the mixer with the switch on / off.
6. Select the desired speed.
7. Place the glass against the trigger switch located near the top of the shaft. The edge of Glass can rest on the ledge to hold the glass in place during mixing.

8. Allow the shaft mix the ingredients. The mixer will turn off when the vessel apart from the switch activator.
9. When you finish using your beverage mixer, turn off and unplug the unit.

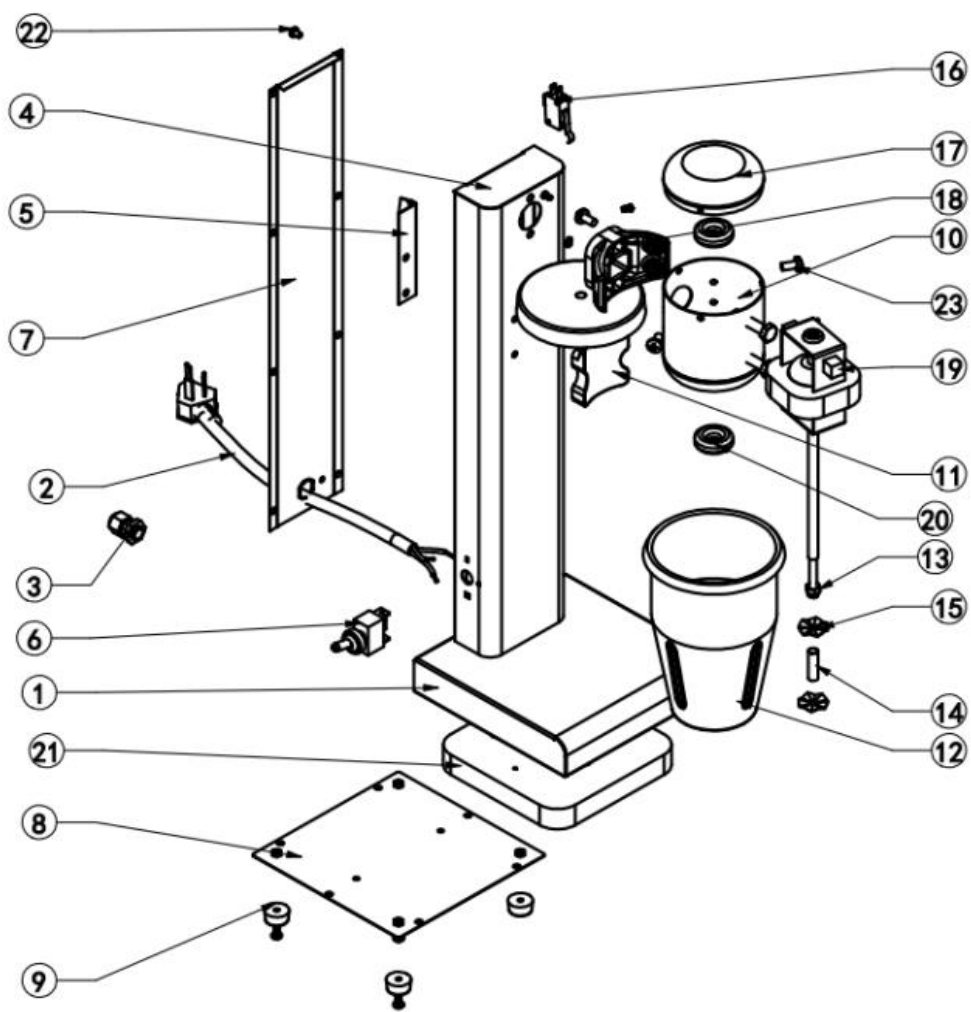
V. Cleaning Instructions:

1. For good product conservation clean the blender daily.
2. Turn off and unplug mixer.
3. Prepare the detergent and a cloth. Start at the top of your beverage mixer and continue down. DO NOT allow water / disinfectant into the vents located on the side rear of the unit.
4. Pay special attention to cleaning the shaft. It's a good idea to use a small brush to remove Agitator residues.
5. Dry the unit completely before using again.
6. The Switch have three speed, we can choose what we like, please look at the photo.



VI. Exploded View :

NO.	Name	Quantity	NO.	Name	Quantity
1	Base	1	13	Screw M6	1
2	Power Cable	1	14	ϕ 8 Tube	1
3	Cable head	1	15	Blade	2
4	Column	1	16	Micro switch	1
5	Micro switch support	1	17	Cover	1
6	Three speed Switch	1	18	Plastic Stent	1
7	Back Board	4	19	Motor	1
8	Base Board	1	20	Silicone ring	2
9	Rubber feet	1	21	Gravitational Plate	1
10	Motor Cup	1	22	Screw M4X8	18
11	Plastic Hanger	1	23	Screw M3X6	3
12	Milkshake Cup	1			





GGM Gastro International GmbH
Weinerpark 16
D-48607 Ochtrup

www.ggmgastro.com info@ggmgastro.com
+49 2553 7220 0