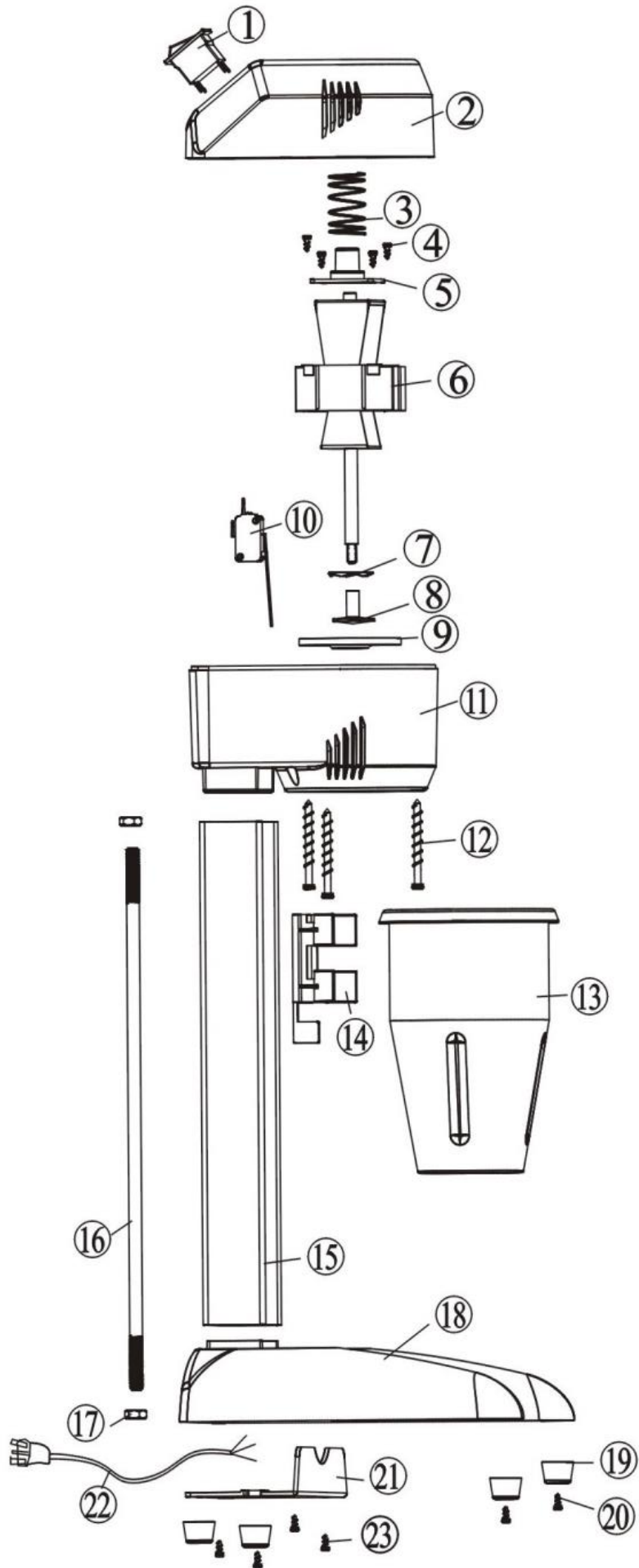


SPMET



No.	English name
1	Switch
2	Top Cover
3	Spring
4	Positioning Screw
5	Spring Positioning Piece
6	Copper motor
7	S/S blade
8	Plastic Blade
9	Rubber Pad
10	Safety Switch
11	Bottom Cover
12	Cover Positioning Screw
13	S/S Cup
14	Plastic Cup Bracket
15	Centre Shaft
16	Threaded Rod
17	Threaded Rod Nut
18	Aluminum Foundation
19	Rubber Feet Screw
20	Ruber Feet Screw
21	Bottom Board
22	Power Cord
23	Bottom Board Nut