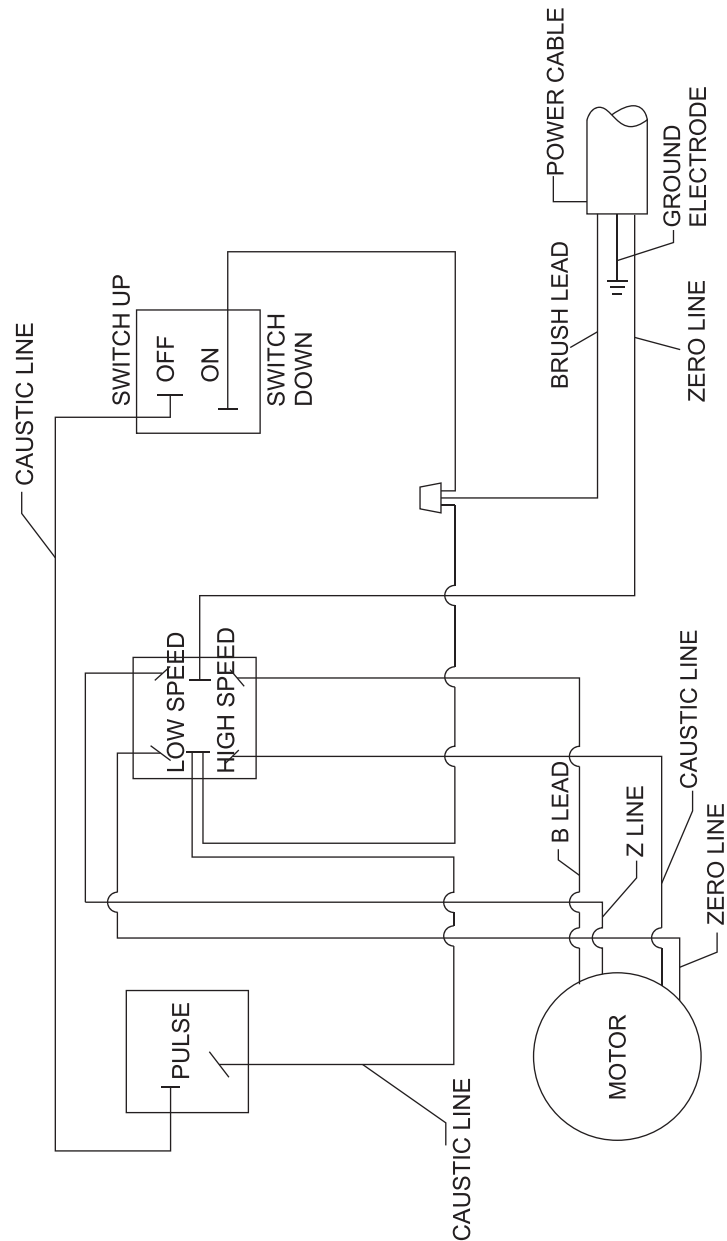


ELECTRICAL DIAGRAM



Commercial Heavy Duty Blender



FMK1500

Professional Commercial heavy duty blender from GGMgastro. Thank you for your best choice.

Please read this manual before operating! Thanks!

1. PRODUCT INFORMATION

Thank you for choosing GGMgastro product, read this manual carefully to understand and gain practical overview of the intricacies of this product.



- ☞ Engine Blender / Ice Smoothy can be used for fruits / vegetables.
- ☞ This tool uses industrial grade motors are efficient and high-powered.
- ☞ This tool is equipped with Electrical Circuit Protective Double automatic (Thermal & current protector)
- ☞ The blades are made of Tungsten Steel Hardening
- ☞ Container is made of Tempered Transparent Plastic are not easily broken and hygienic (food grade)
- ☞ Slush ice: able to ice cube & ice mud
- ☞ Dry ingredients: traditional medicine, coffee powder etc..
- ☞ Wet Ingredients: organic food, vegetables, fruit juice etc..
- ☞ To blend the soy bean, sugar mixed water, with high speed into soy milk

Application:

Juice bars to make smoothy ice with a speed of 26,500 rpm (adjustable), Super Blender is able to cut fruits / vegetables, ice cubes into a very smooth, so that the nutrients easily absorbed by the body. Ideal for people who are on a diet with juice therapy.

Cautions.

When cleaning the machine, Turn off power switch and unplug the machine.



Wipe the motor base only with a dry cloth (sponge)

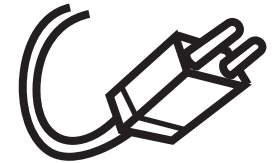


Do not clean the inside of the container by hand unless the knife has been revoked. And apart from the Motor Base Container, Careful of any sharp parts.



FOR SECURITY

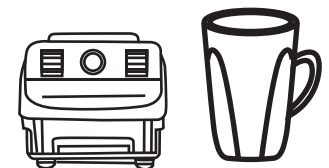
Pull out the plug from socket board if the blender is not used.



Blender cover may only be opened if the blender is stop working and also with blade sets.



When cleaning, Make sure firstly remove the plugs and container washed separately from Base.



- The knife blade is very sharp, do not touch it for your safety and avoid getting hurt.
- If completed using a blender, unplug the power cord plugs.

Warning !!

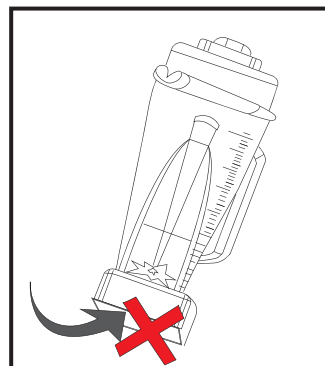
- During blender works, keep out of reach of children
- Do not put metal objects, knives, forks, spoons etc.. into the container.

Cleaning and Care

- Before cleaning, make sure the power cable is not connected to a power source.
- Clean the foam cup and lid with a sponge or soft cloth with liquid soap, and a towel to dry.
- It is recommended to use use the boiled water / detergent mixed with warm, run the engine to clear up to 5 minutes, pour the soapy water and dry it carefully.
- Do not put your hand into the cup to clean up the knife blade or get them removed.
- Clean the body of the machine with a dry cloth (do not put into the water,or use something too wet.)
- Clean the knife blade with a brush (do not use your hands)

IMPORTANT !!!

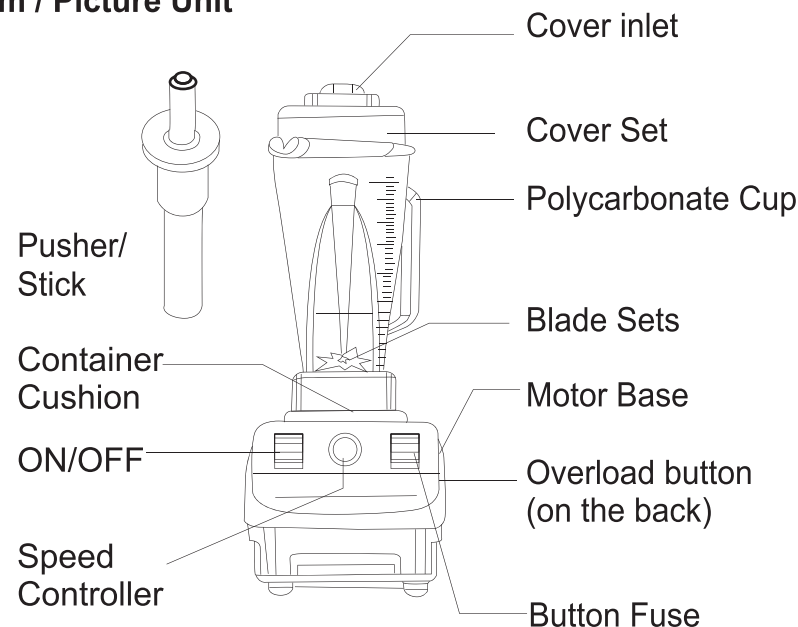
The bottom of the container should not be washed / wet. Soapy water can cause damage to the base materials.



Specifications:

TYPE	DEANS (MM) (L x W x H)	VOLUME (L)	WATT (220V/1P)	WEIGHT (KG)
FMK1500	205 x 230 x 510	2	1500	5

Diagram / Picture Unit



Problems and Solutions.

Problems	Solutions
Blender Not working	<ol style="list-style-type: none"> Is the power cord connected to a power source? Is electric current cut off? Connect Fuse, start the engine again to see if the blender still working? Any other issues, contact technician GGMgastro

WARNING !!



- ❖ If the Position of "ON" but the blade does not work, turn off the engine. this can be caused by a product that is in the container is uneven. Mixing Stir with rod and try to turn back.
- ❖ Make sure the plastic container which is placed correctly on the motor base before use.
- ❖ Grasp the handle of the container to prevent excessive rotation (due to high-powered motors).
- ❖ To avoid the danger of a knife, do not put your hand into the container while the motor is in the base position.
- ❖ Before pouring the beverage from the container, STOP blender, then remove the container of the motor base.
- ❖ If you want to use a mixing rod, remove the fill cap first and enter the mixing rod through the hole in the silicon cup lid, slow and careful please.



For use with maximum speed, use for 3 minutes, then stop the motor for 1 minute. for long term service life.

Functions and how to use

1. Put the engine in place with a stable surface and solid.
2. Check the ON / OFF button, the button position "OFF"
3. Put the food into a container and add little water (such as: milk, honey, etc.) if using dried materials.
4. Set the "speed button" at the desired position, put power cable to a power source. Press the "ON" until the unit works. The materials in the container will be mixed (homogeneous) well.
(Note: You can adjust the speed of the engine by turning the "speed control"
MIN: The minimum speed, MAX: maximum speed.
5. Press the "OFF" to stop the Blender.
6. Wait a few moments until a knife / blade stop.
Rotate and lift the container and pour the juice into another place.
7. You can also use the maximum speed by pressing the PULSE button timely.

Step-langah Security

1. Put it in a blender machine with surface flat and stable.
2. Make sure the position of the key in the OFF position before striking power cable to a power source.
3. Machines do not splashed water or soaked.
4. Hold the handle of the blender while the unit works because high vibration.
5. If using a blender, place the lid on the top. then switch the power, for avoiding splashing water.
6. Before pouring the juice, make sure the power supply disconnected (switch OFF condition).