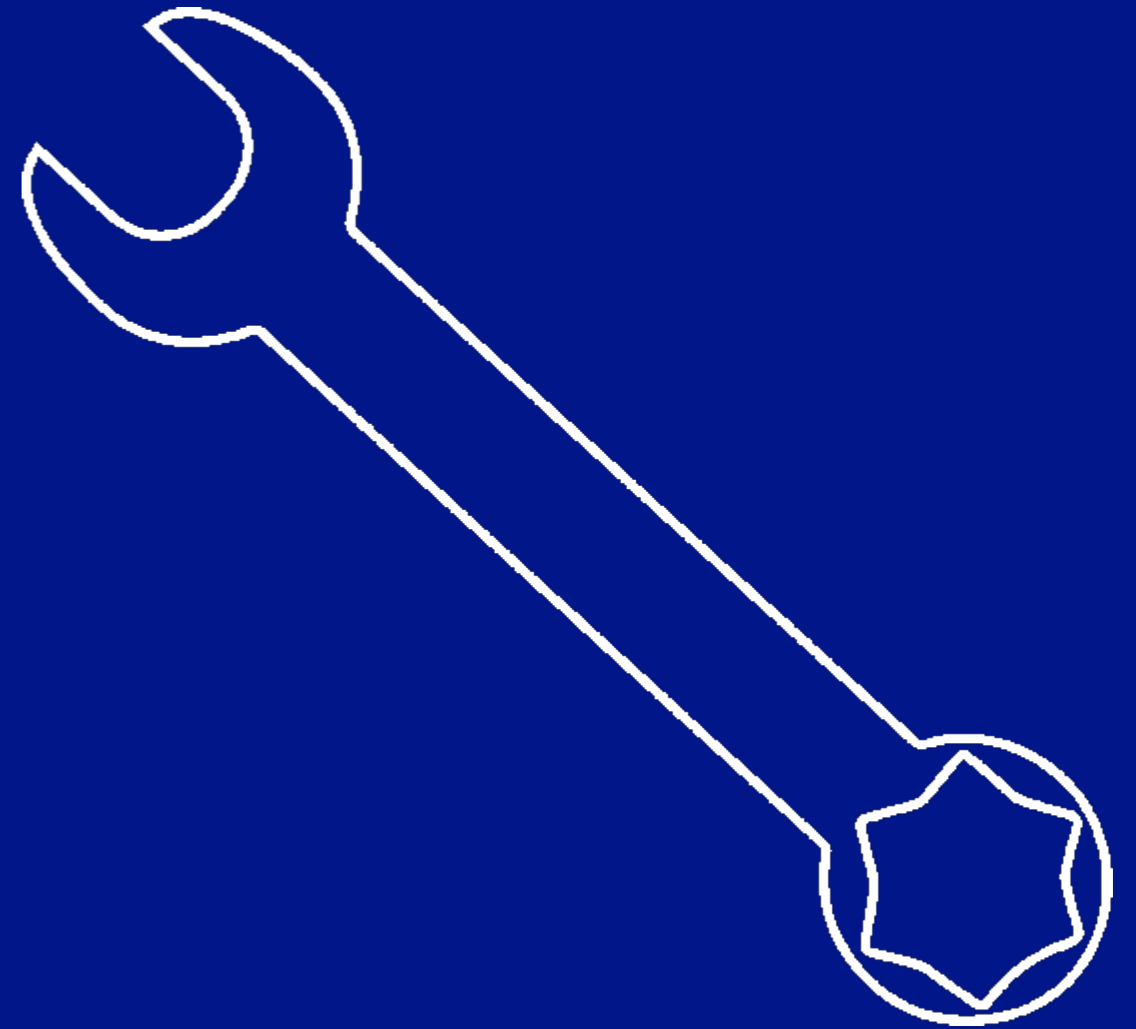


SEMC11

SPARE PARTS LIST



ggm gastro
INTERNATIONAL

SEMC11

GENERAL INDEX

ENGLISH

Functional Groups.....	1
Bodywork.....	2
Bodywork Table.....	3
Head Group.....	4
Head Group Table.....	5
Hopper-Motor Group.....	6
Hopper-Motor Group Table.....	7
Refrigeration Group	8
Refrigerating Cycle	9
Refrigeration Group Table	10
Electrical Group.....	11
Electrical Group Table.....	12
Electrical Group Detail of 05-6.....	13
Electrical Group Table Detail 05-6	14
Spare Parts Kit.....	15
Spare Parts Kit Table.....	16

SEMC11

FUNCTIONAL GROUPS

TABLE NUMBER **00**

REVISION **01**

01 BODYWORK

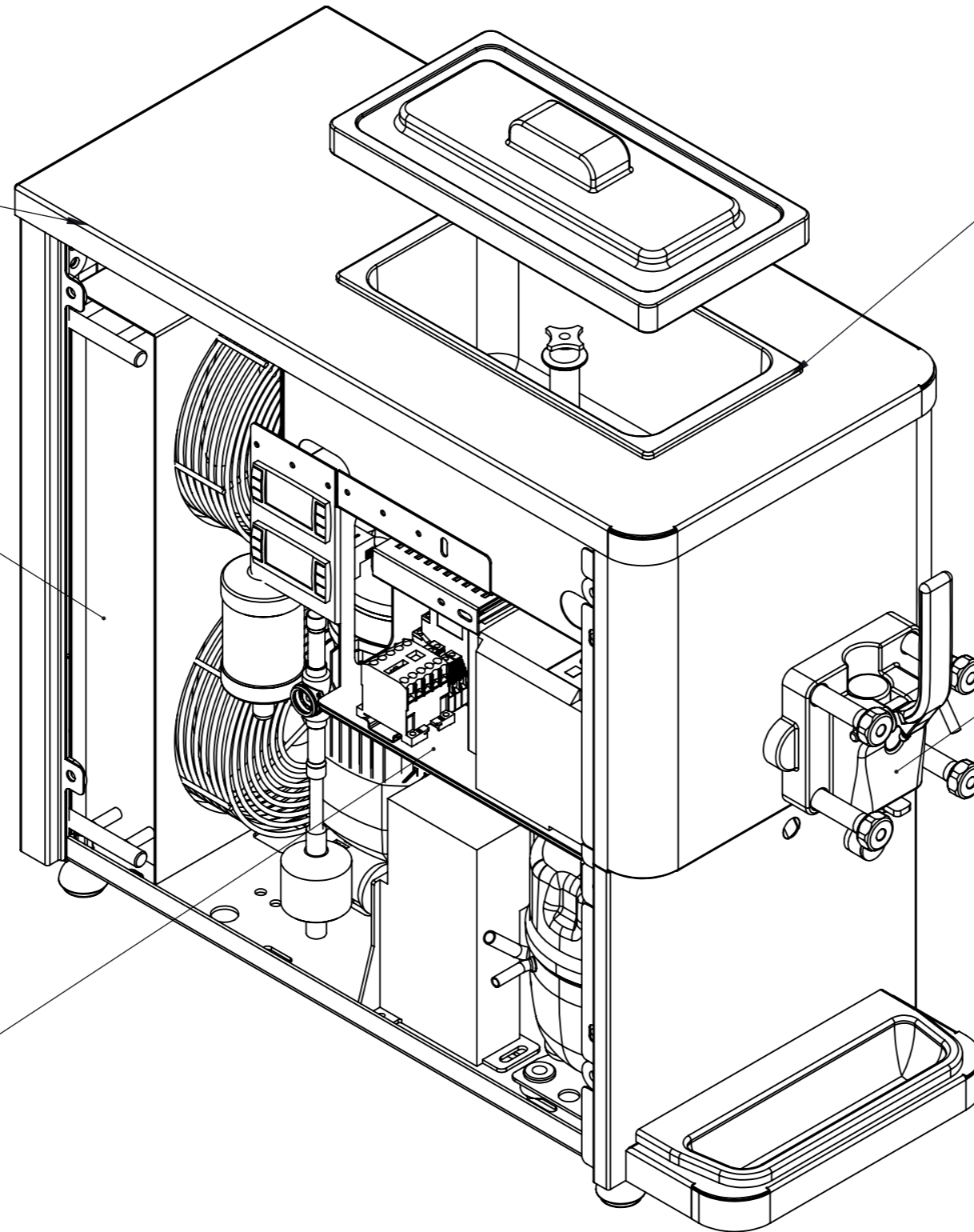
03 HOPPER-MOTOR GROUP

04 REFRIGERATION GROUP

02 HEAD GROUP

05 ELECTRICAL GROUP

06 SPARE PARTS KIT

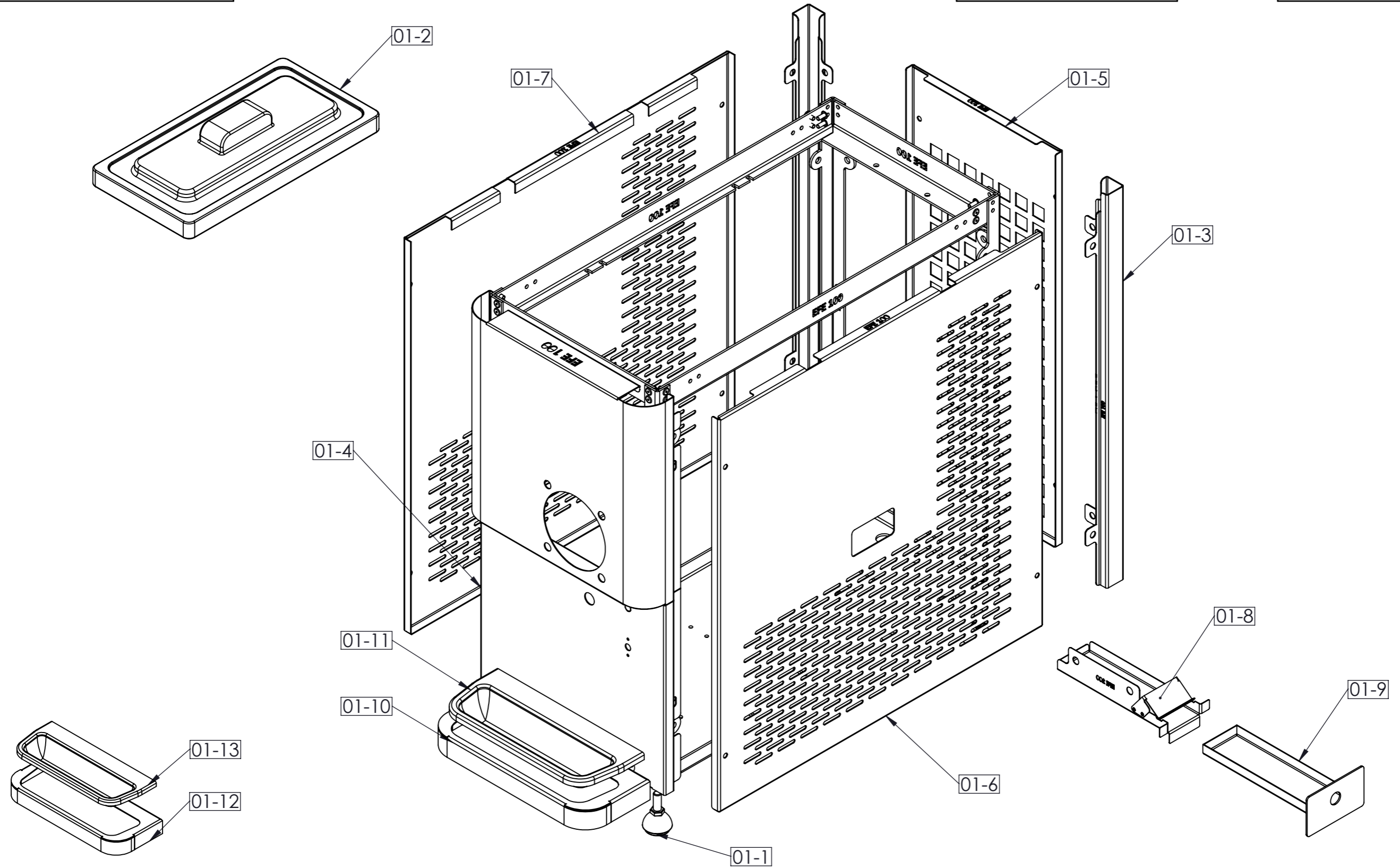


SEMC11

Bodywork

TABLE NUMBER **01**

REVISION **01**



SEMC11

BODYWORK

TABLE NUMBER **01**

REVISION **01**

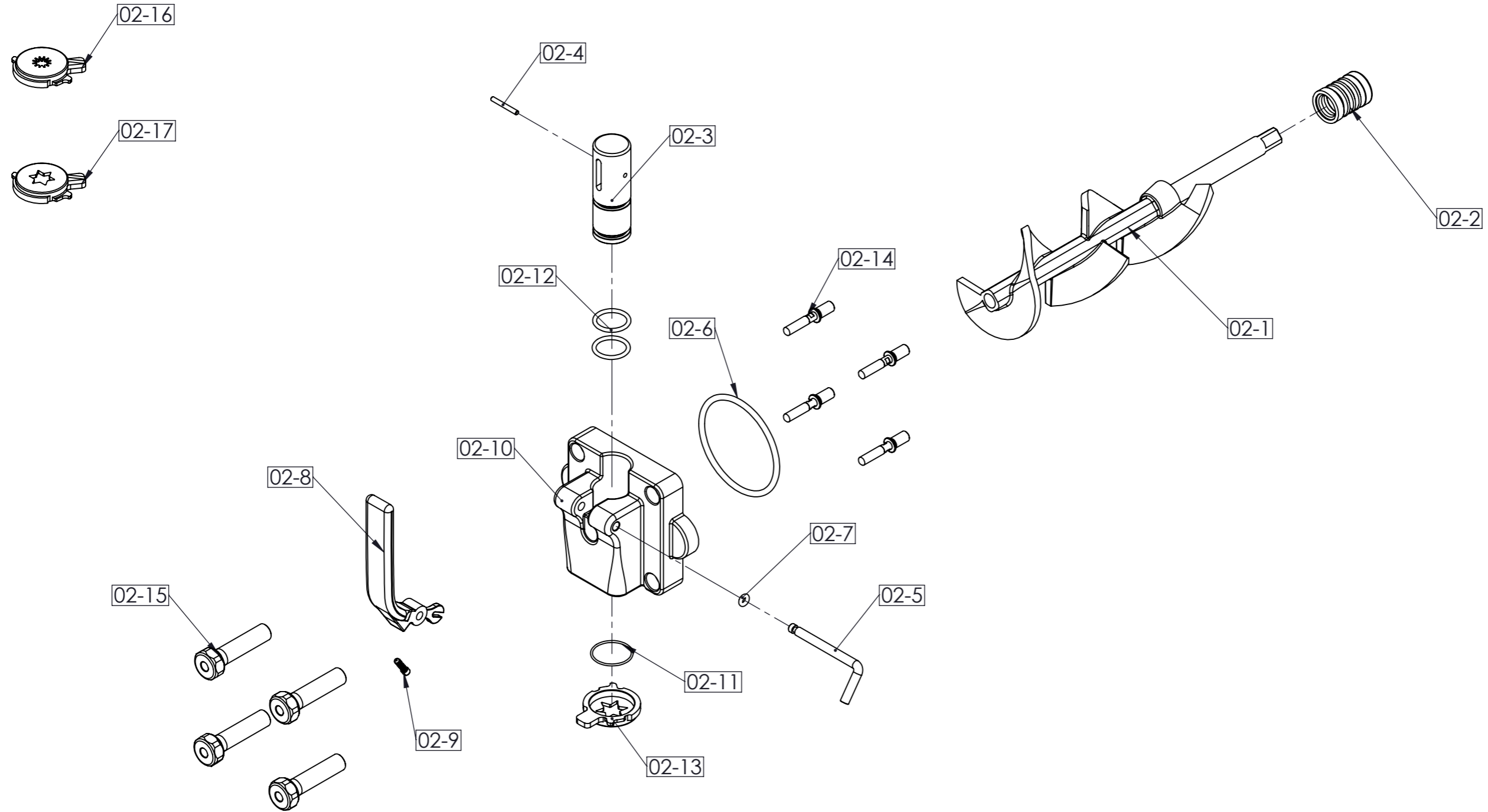
Nr.	PART NAME (EN)	STOCK CODE	
01-1	BASE	YRHIR1132	
01-2	HOPPER COVER	YRHIR16504	
01-3	CORNER SHEET	YD0_316538021	
01-4	FRONT SHEET	YD0_390040003	
01-5	REAR SHEET	YD0_390040036	
01-6	SIDE SHEET_RIGHT	YD0_390040034	
01-7	SIDE SHEET_LEFT	YD0_390040035	
01-8	LEAKAGE DRAWER SLIDE	YD0_390040058	
01-9	LEAKAGE DRAWER	YD0_390040055	
01-10	DRIP TRAY HOLDER(WHITE DRIP TRAY)	YD0_35000229	
01-11	DRIP TRAY	YD0_315502009	
01-12	DRIP TRAY HOLDER (SILICON)	YD0_390000623	
01-13	DRIP TRAY(SILICON)	YRHIR16491	

SEMC11

HEAD GROUP

TABLE NUMBER **02**

REVISION **01**



SEMC11

HEAD GROUP

TABLE NUMBER **02**

REVISION **01**

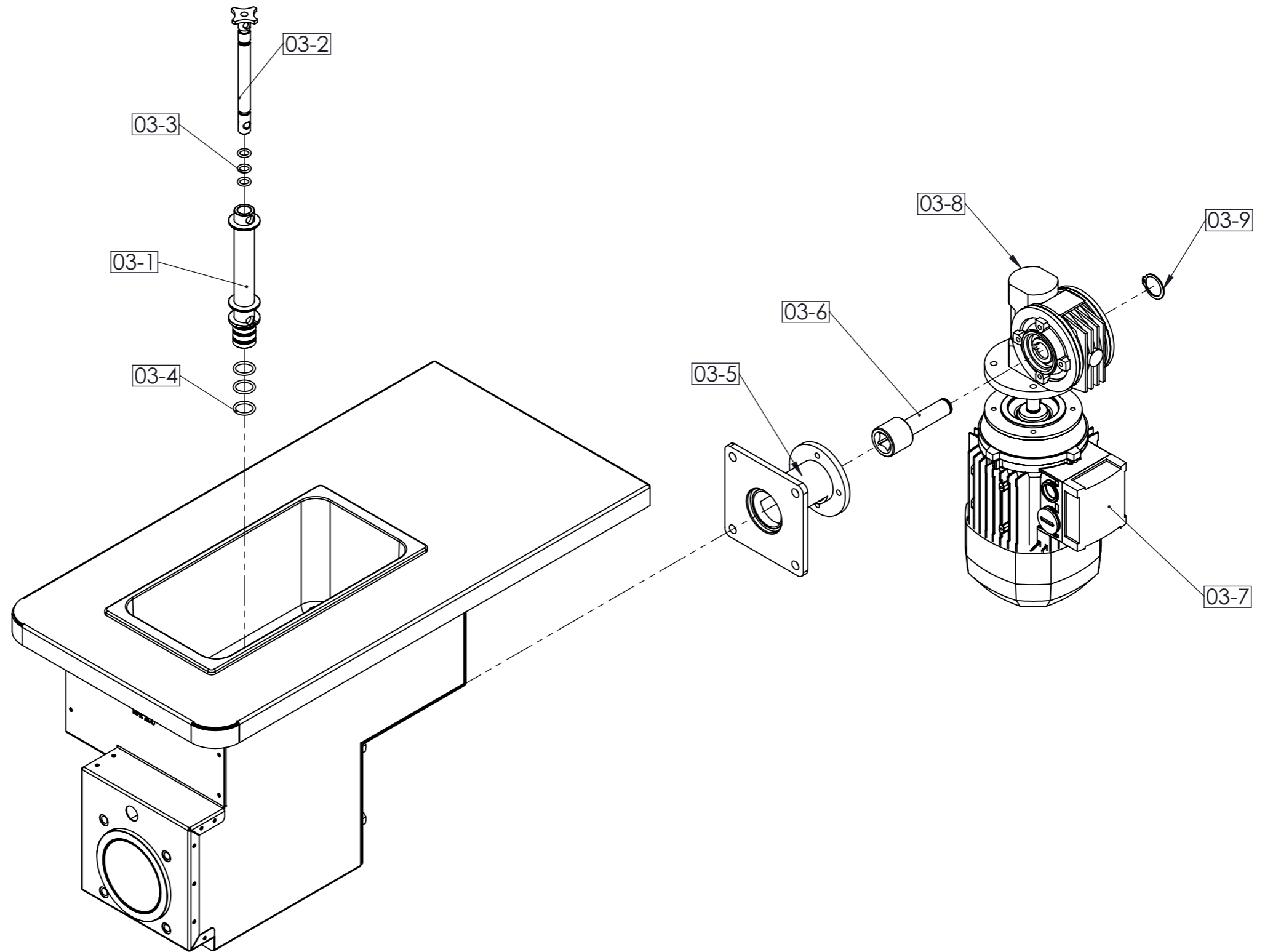
Nr.	PART NAME (EN)	STOCK CODE
02-1	PLASTIC BEATER	YD0_390040033
02-2	BEATER SEAL- RED (PLASTIC BEATER)	YRHIR2185
02-3	PISTON	YD0_37500185
02-4	PISTON PIN	YD0_37500108
02-5	LIFTER ROD_S	YD0_37500202
02-6	89,69X5,33 SILICON ORING	YRHIR2933
02-7	4,8x3,53 NBR ORING	YRHIR27207
02-8	PISTON LIFTER SPEED TUNING ADJUSTABLE	YD0_390000055
02-9	SPEED ADJUSTER	YD0_390000054
02-10	DISPENSING HEAD BODY PK-BLACK (PLUG-IN DISPENSING CAP)	YD0_390001787B
02-10	DISPENSING HEAD BODY PK-WHITE (PLUG-IN DISPENSING CAP)	YD0_390001787W
02-11	ORING 37,82X1,78 NBR BLACK	YRHIR27309
02-12	27,20X3,53 SILICON ORING	YRHIR27234
02-13	PLUG-IN DISPENSING CAP STAR-WHITE	YD0_390001217W
02-13	PLUG-IN DISPENSING CAP STAR-BLACK	YD0_390001217B
02-14	STUD M8	YD0_35000070
02-15	HEAD BUTTON	YD0_37500688
02-16	PLUG-IN DISPENSING CAP SUN-WHITE	YD0_390001162W
02-16	PLUG-IN DISPENSING CAP SUN-BLACK	YD0_390001162B
02-17	PLUG-IN DISPENSING CAP SMALL STAR-WHITE	YD0_390001161W
02-17	PLUG-IN DISPENSING CAP SMALL STAR-BLACK	YD0_390001161B

SEMC11

HOPPER-MOTOR GROUP

TABLE NUMBER **03**

REVISION **01**



SEMC11

HOPPER-MOTOR GROUP

TABLE NUMBER **03**

REVISION **01**

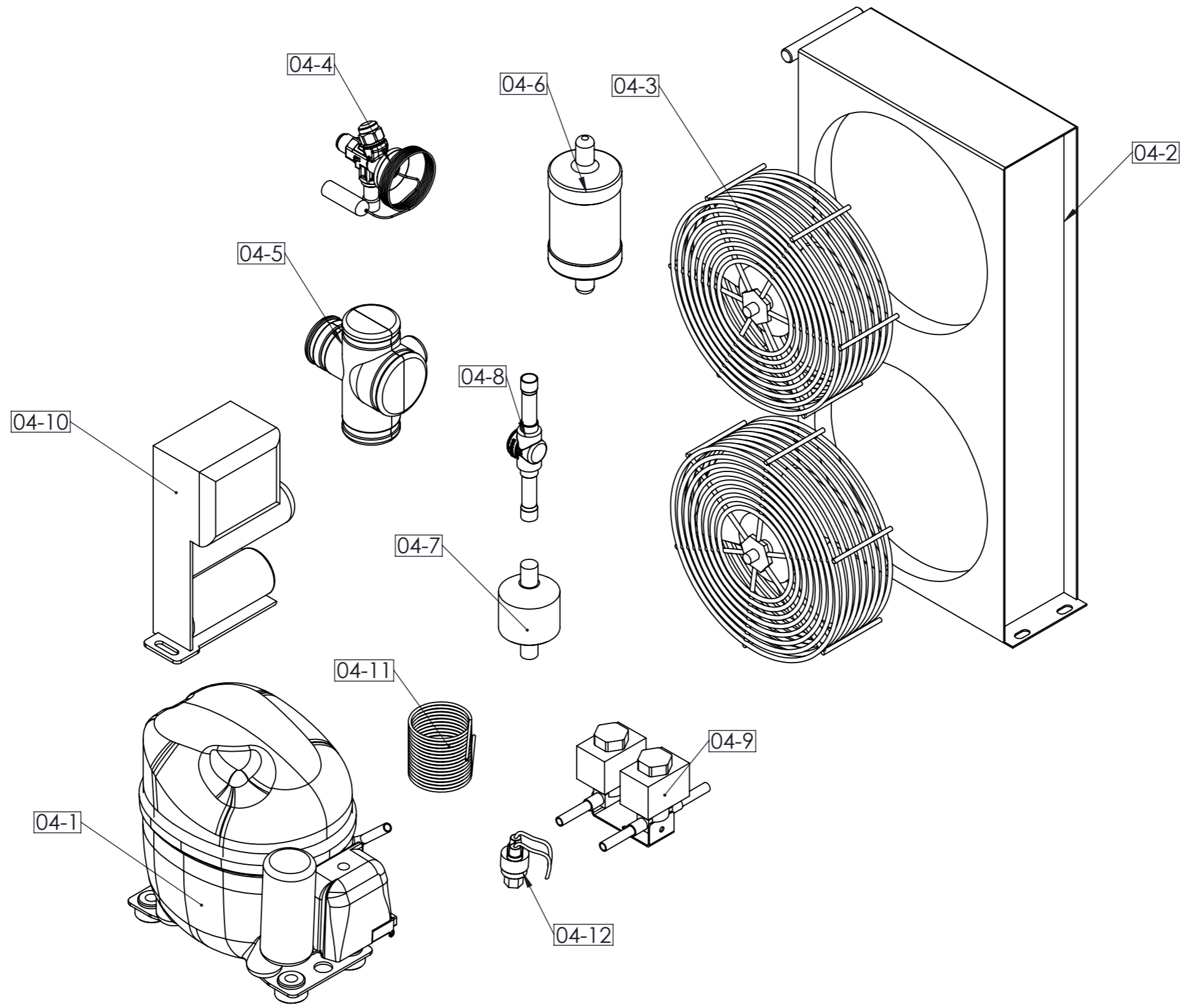
Nr.	PART NAME (EN)	STOCK CODE	
03-1	OUTER AIR TUBE(SHORT)	YD0_37500722	
03-2	INNER AIR TUBE(SHORT)	YD0_37500255	
03-3	ORING 8X2,4	YRHIR2943	
03-4	ORING 18,7X2,62	YRHIR2942	
03-5	SUPPORT FLANGE	YD0_390040040	
03-6	B7 REDUCER SHAFT	YD0_390040027	
03-7	MOTOR (0,55 KW)	YRELK21510	
03-8	REDUCER VF 44	YRHIR289996	
03-9	SHAFT RING \varnothing 25	YRHIR0833	

SEMC11

REFRIGERATION GROUP

TABLE NUMBER **04**

REVISION **01**

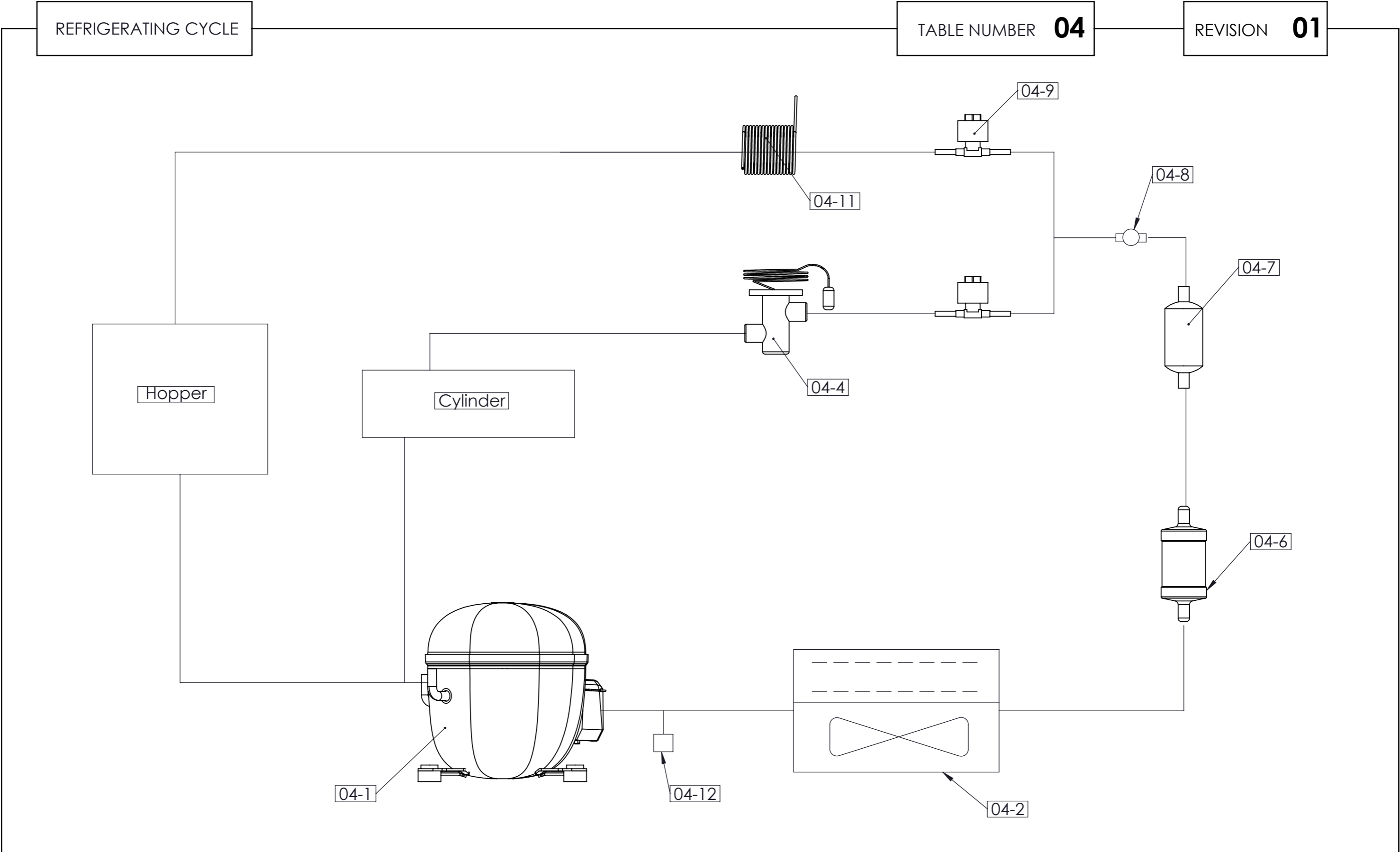


SEMC11

REFRIGERATING CYCLE

TABLE NUMBER **04**

REVISION **01**



SEMC11

REFRIGERATION GROUP

TABLE NUMBER **04**

REVISION **01**

Nr.	PART NAME (EN)	STOCK CODE	
04-1	COMPRESSOR EMBRACO NE U2178GK	YRSOG0421	
04-2	CONDENSER	YRSOG05103	
04-3	FAN	YRSOG05981	
04-4	DANFOSS EXPANSION VALVE 068Z3414	YRPNL19019	
04-5	EXPANSION VALVE COVER	YRPNL19005	
04-6	LIQUIT TANK	YRPNL46019	
04-7	1/4 DRYER	YRSOG0301	
04-8	DANFOSS SIGHT GLASS	YRPNL18151	
04-9	SELONOID VALVE 1/4	YRPNL080017	
04-10	ASPERA CAPASITOR SET	YRELK21515	
04-11	1,5X3 CAPILLARY TUBE	YRSOG0105	
04-12	LOW PRESSURE SWITCH	YRPNL48258	

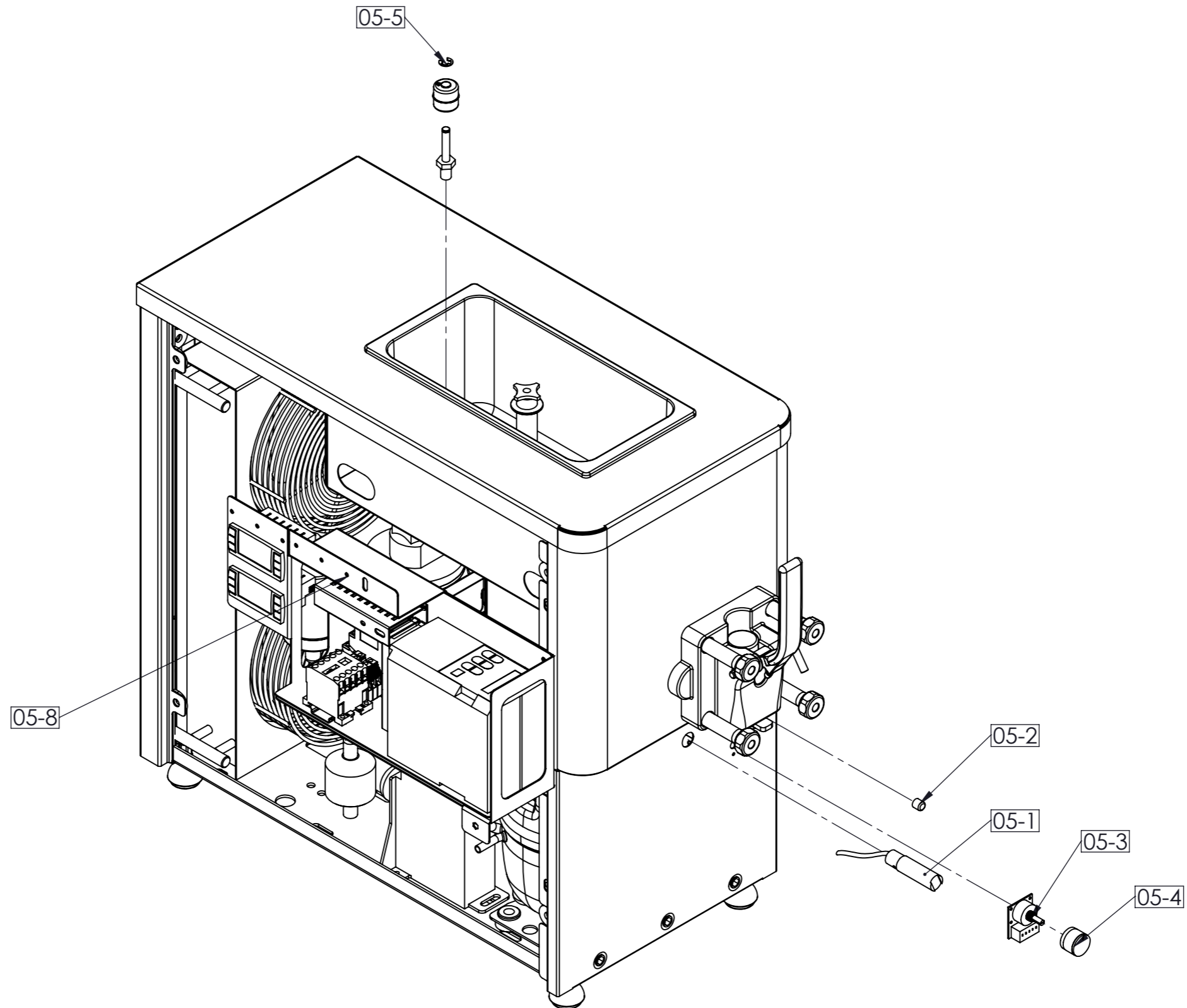
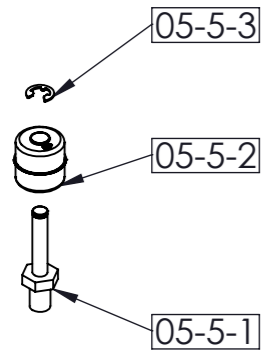
SEMC11

ELECTRICAL GROUP

TABLE NUMBER **05**

REVISION **01**

Detail of 05-5



SEMC11

ELECTRICAL GROUP

TABLE NUMBER **05**

REVISION **01**

Nr.	PART NAME (EN)	STOK KODU/STOCK CODE	
05-1	FOTO SENSOR	YRELK0378	
05-2	SIGNAL LAMP (RED)	YRELK0376	
05-3	CONTROL DIAL	YD0_36000100	
05-4	CONTROL DIAL COVER	YD0_37500414	
05-5	LEVEL SENSOR	YD0_37500187	
05-5-1	LEVEL SENSOR BODY	YRELK0545	
05-5-2	LEVEL SENSOR FLOAT	YD0_390001235	
05-5-3	PLASTIC RING	YD0_37500098	
05-6	ELECTRIC PANEL		

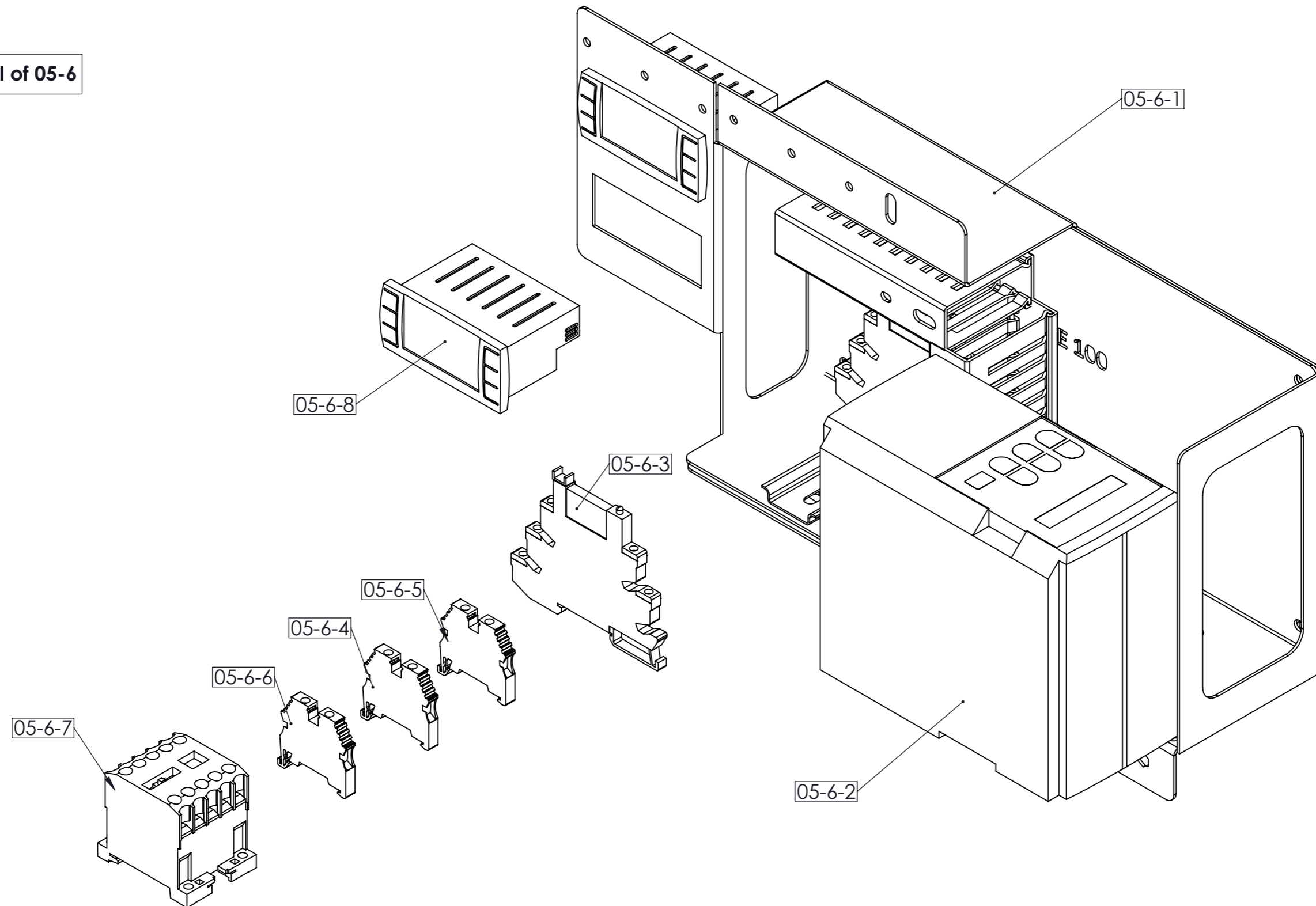
SEMC11

ELECTRICAL GROUP

TABLE NUMBER **05**

REVISION **01**

Detail of 05-6



SEMC11

ELECTRICAL GROUP

TABLE NUMBER **05**

REVISION **01**

Nr.	PART NAME (EN)	STOCK CODE	
05-6-1	ELECTRIC PANEL	YDO_390040028	
05-6-2	INVERTER 0,75KW - SPL200-07F	YRPNL03064	
05-6-3	RELAY RSL1PVBU-SLIM 24CAC-DC AC-O 6A	YRELK0384	
05-6-4	CLAMP_GREY	YRELK1811	
05-6-5	CLAMP_BLUE	YRELK1841	
05-6-6	CLAMP_GREEN/YELLOW	YRELK1812	
05-6-7	CONTACTOR	YRELK19390	
05-6-8	DIXELL	YRELK1029	

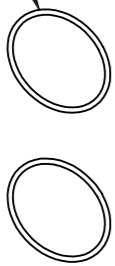
SEMC11

SPARE PARTS KIT

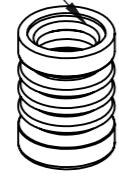
TABLE NUMBER **06**

REVISION **01**

02-12



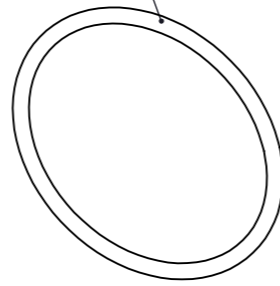
02-2



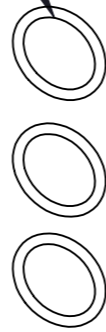
05-7



02-6



02-13



06-1



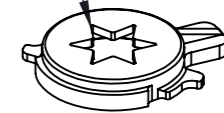
02-7



03-3



02-14



SEMC11

SPARE PARTS KIT

TABLE NUMBER **06**

REVISION **01**

Nr.	PART NAME (EN)	STOCK CODE	
02-2	BEATER SEAL- RED (PLASTIC BEATER)	YRHIR2185	
02-6	89,69X5,33 SILICON ORING	YRHIR2933	
02-7	4,8x3,53 NBR ORING	YRHIR27207	
02-12	ORING 37,82X1,78 NBR BLACK	YRHIR27309	
02-13	27,20X3,53 SILICON ORING	YRHIR27234	
02-14	PLUG-IN DISPENSING CAP STAR	YD0_390001217	
03-3	8X2,50 SILICON ORING	YRHIR2943	
05-7	PLASTIC RING	YD0_37500098	
06-1	ORING REMOVAL TOOL	YD0_319522040	