

Zuckerwattemaschine

Bedienungsanleitung



Bitte lesen Sie die Einleitung, bevor der Nutzung

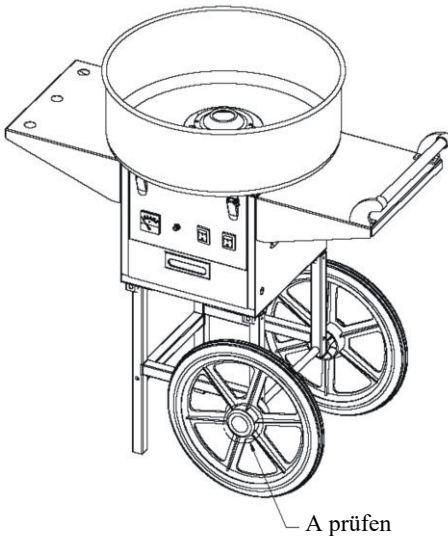
1. Kurze Einleitung

Diese Maschine, die Zucker als Hauptmaterial und einige andere Zutaten verwendet, kann verschiedene Geschmacksrichtungen und bunte Zuckerwatte herstellen. Dieses Produkt stellt nicht nur einfache Zuckerwatte her, sondern auch bunte verschiedene Farben wie rot, gelb, grün, Erdbeere, Pfirsich, Wassermelone, Li Chi und Mango. Es wird nicht nur gesund, sondern auch lecker.

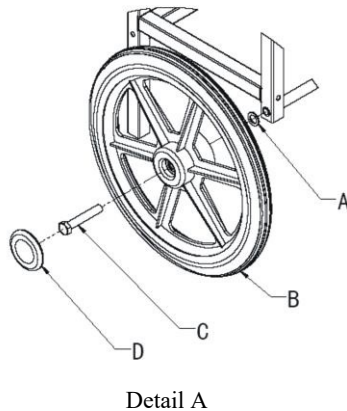
2. Hauptparameter

Model	ZWET52
Maße	520X520X910
Wärmeleistung	1000 w
Motorleistung	80W
Elektrische Anschluss	220V
Frequenz	50Hz
Produktion	1 / 30sec

3. Aufbau der Maschine



Bitte montieren Sie den Wagen wie folgt



4. Auspacken des Gerätes

1, Bitte lesen Sie die Bedienungsanleitung sorgfältig vor der Verwendung.

- 2, After taking the machine out of the packing carton, fit the spare parts to the right place.
3. The user should clean the heating head and the stainless steel pan firstly, the water will be thrown out when the head runs, then swept it with soft cloth.
- 4, This machine should be put on the strong worktable, and also should have a suitable distance with the ground.
- 5, Before turn on the machine, the user should check whether the electric voltage is same with the machine voltage, whether the electrical outlet meet the safety standard, whether you have installed the switch of creepage protecting.

5. Operating instructions

1. When move the machine,press down little the handle to make sure the cart front legs leave the ground.
- 2.Turn on the power switch to let the machine run for 1-2 minutes, Please check whether the machine runs steady or not. (It need to adjust if the machine shakes strongly, the user must make sure the machine put steady and the head runs right).
- 3.Turn on the booster to biggest, then let the machine warm-up about 4-5 minutes. (the power higher, the heating speed quicker.)
- 4.Put one spoon clean granulated sugar into the central of running head.
- 5.The candy floss will get out after 30 seconds, then use a bamboo stick or other related object to stick the candy floss, revolve follow the inside of the pan. (the bamboo stick need clean with wet cloth)
- 6.After finishing the candy floss, Please don't stop the machine at once, clean the turning dish with water (keep the head running then put little water into the inlet) , turn off the switch, then sweep the head with soft cloth. If you want more candy floss, just repeat the above steps is fine.

6. Notes

- 1,Minor are forbidden to use this machine.
- 2,Have to use electrical outlet with ground line. Keep the cable away from the heat; Don't immerse the cable,electrical plug and the machine into water or other liquids; Don't use the broken cable, electrical outlet and plug.
- 3,Installing the heating head and pan correctly, then put into the plug. Turn off the power switch when stop working, move the pan and clean it with water.
- 4,Don't touch the surface of the heat and heating head when working, and don't put the hand into the pan if still sugar inside, in case of being burnt, and also don't move machine when working.
- 5, Do not touch with plug, electric cable when they are moistened by water, in case of being shocked by electricity.
- 6, The temporary piece rate of electric motor of is 80%, Please avoid the long time

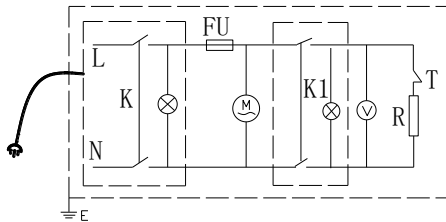
continuous working as to prolong the service life of the electric motor, it should pause for 20 minutes after working continuously for an hour.

7, No matter clean the machine, or maintain it, it should close power supply, and pull out electrical plug firstly; Disallow this machine empty running for long hours.

8, don't use detergent when sweeping, in case of the detergent left on the machine result in a pollution. It also can't be washed with water directly, for this may moisten the electric spare parts and damage the machine.

9, If the heating head does not run, Please turn off the power switch, clean the burnt sugar inside with soft cloth.

7. Electrical date



L----- Copper sheathed cable

T----- Temperature limiter

M----- 80W Ac motor

V----- 0~300V Ac voltage meter

Fuse----- Tubular fuse

R----- 1000W heating plate

K----- Main switch

K1----- Heating switch

8. spare parts list (The list is for ET-MF05 only)

No.	Name	Quantity	Remark	No.	Name	Quantity	Remark
1	Wheel	2 pieces		11	Screw	8 pieces	M4X12
2	Feet pipe	2 pieces		12	Nut	8 pieces	M4
3	Wheel feet pipe	2 pieces		13	Screw	4 pieces	M5X16
4	Beam	3 pieces		14	Support plate	2 pieces	
5	Handle block	1 set		15	Screw	6 pieces	M5X30
6	Handle pipe	1 piece		16	Sugar spoon	1 pieces	
7	Ring	2 pieces		17	wheel axes	1 pieces	
8	Wrench	1 piece		18	wheel screw	2 pieces	M12X70
9	Screw	8 pieces	M5X8	19	Wheel cover	2 pieces	
10	Nut	8 pieces	M4	20	belt	1 pieces	