

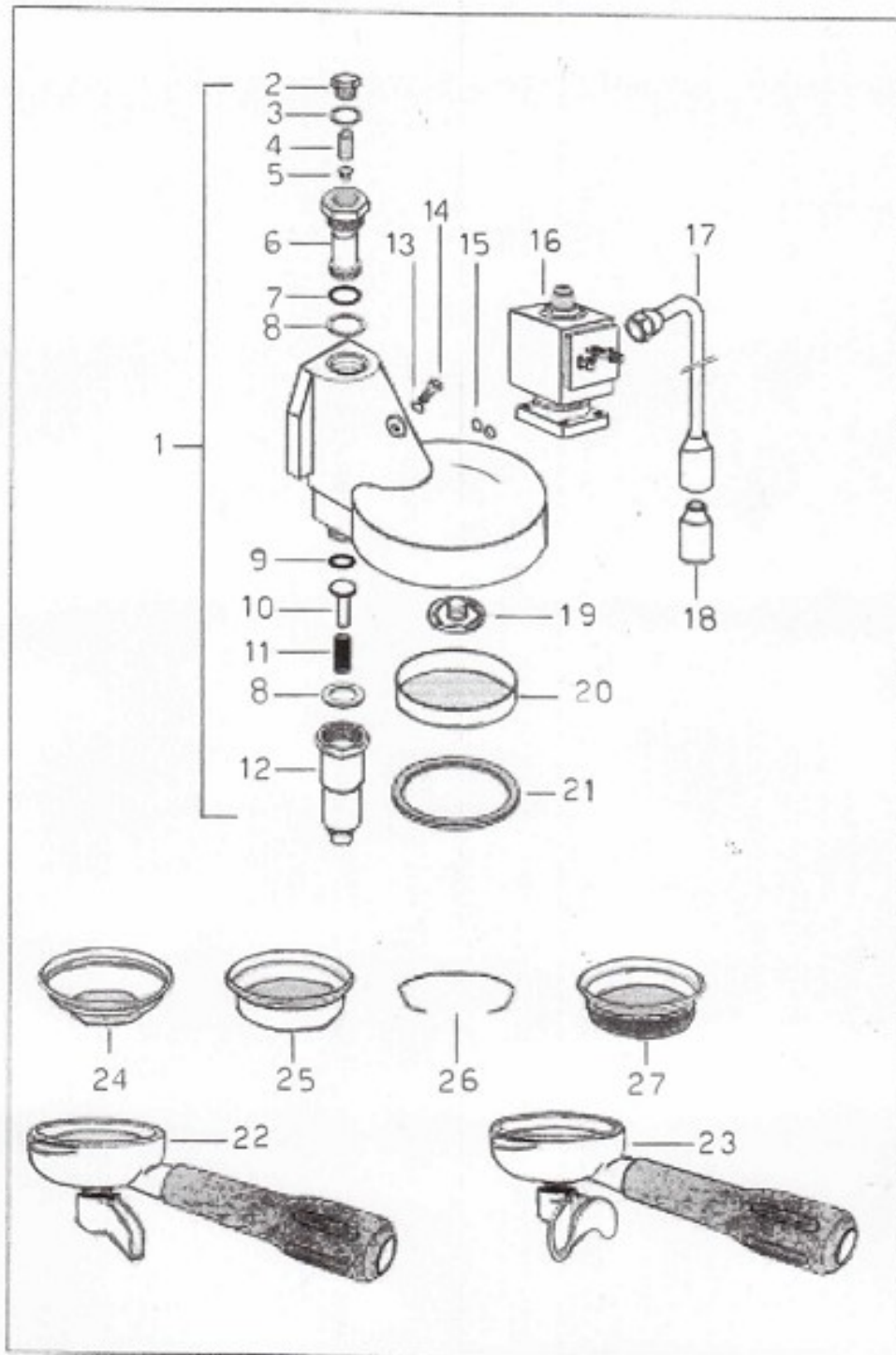
**MACCHINA DA CAFFE' – MODELLO ELLIPSE
ESPLOSO RICAMBI**

COFFEE MACHINE - MODEL ELLIPSE

SPARE PARTS PRICE LIST AND CATALOGUE

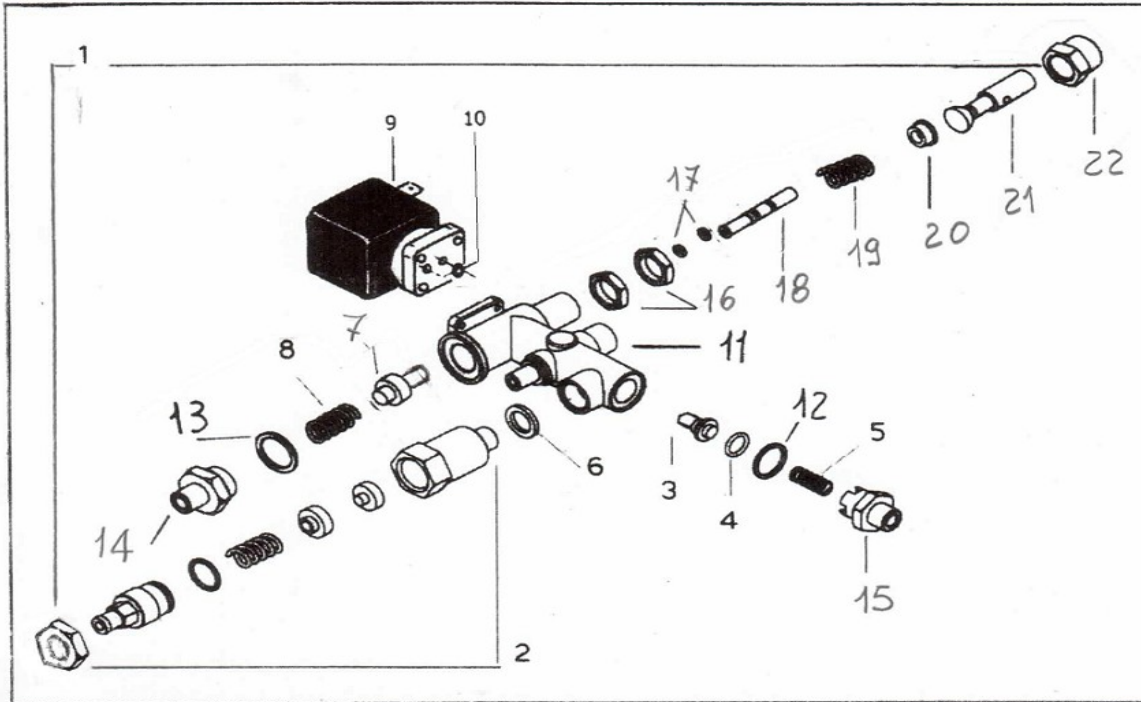


Gruppo di erogazione/ Erogation Group



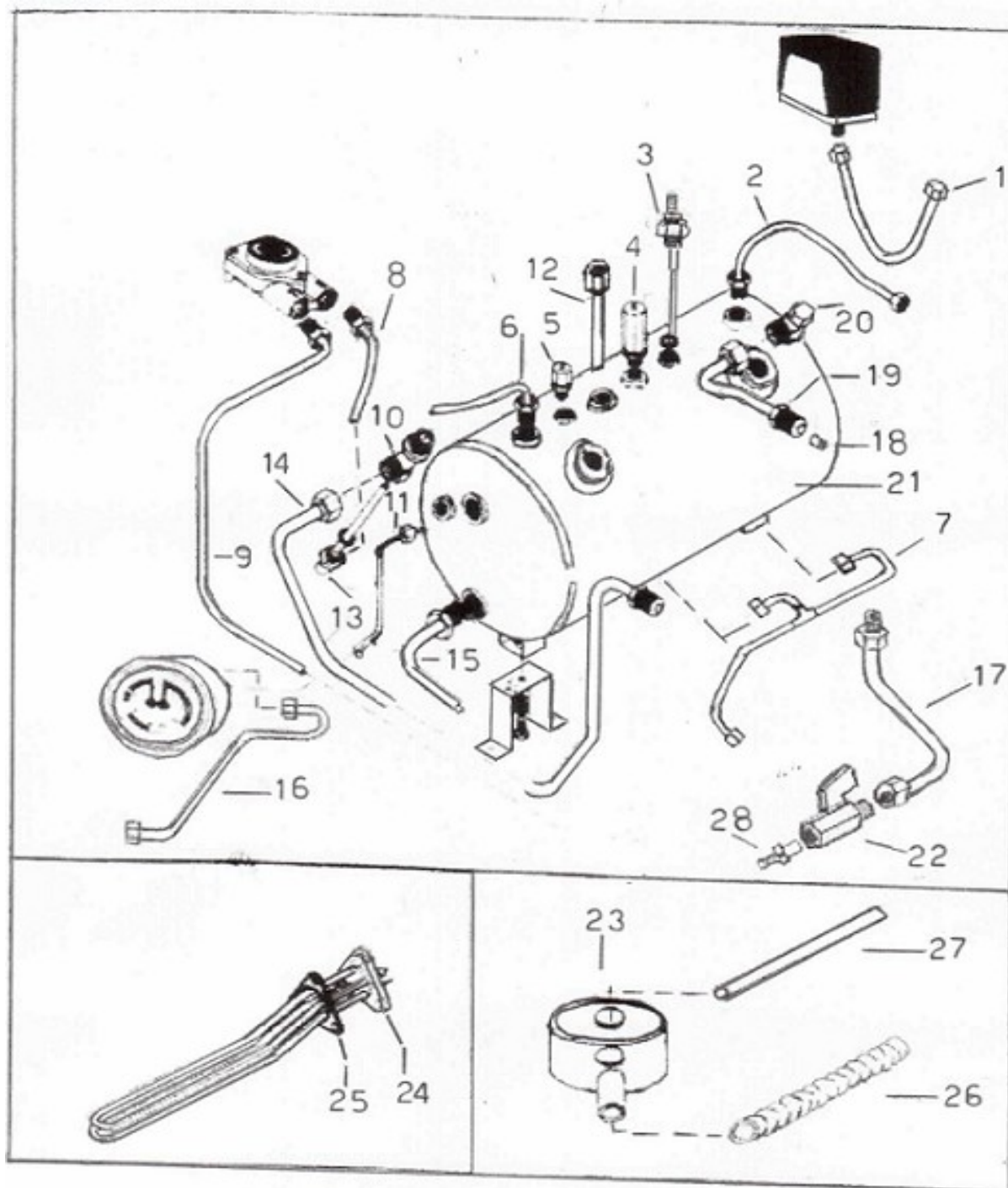
Position		Descrizione	Description	Part. No.	
1	A	Gruppo completo s/elettrov.	Group complete w/o solenoid v.	DRCOGED15	
2	A	Tappo	Cover	DRCORIC32	
3	A	Guarnizione	Gasket	DRCORIC33	
4	A	Filtro	Filter	DRCORIC34	
5	A	Gigleur	Gigleur	DRCORIC35	
6	A	Canotto superiore	Cylinder	DRCORIC36	
7	A	Guarnizione	Gasket	DRCORIC37	
8	A	OR	OR	DRCORIC38	
9	A	OR	OR	DRCORIC39	
10	A	Pistone infusore	Infusion piston	DRCORIC40	
11	A	Molla pistone infusore	Infusion piston spring	DRCORIC41	
12	A	Canotto inferiore	Lower cylinder	DRCORIC42	
13	A	OR	OR	DRCORIC43	
14	A	Vite	Screw	DRCORIC44	
15	A	OR elettrovalvola	Solenoid OR	DNRIRIC08	
16	A	Elettrovalvola V220-24/50-60	Solenoid valve V220-240/50-60	DNRIELP04	
17	A	Tubo scarico elettrovalvola	Solenoid discharge pipe	DSEMTUBE14	
18	A	Rompigetto	Spryer	DPUCRIC02	
19	A	Diffusore	Diffusor	DRCORIC45	
20	A	Docetta	Shower	DNRIRIC12	
21	A	Guarnizione sottocoppa mm8	Group gasket mm8	DNRIRIC13	
21	A	Guarnizione sottocoppa mm8,5	Group gasket mm8,5	DNRIRIC14	
22	A	Portafiltra 1 via con filtro	Filter holder 1 way w/filter	DNRIPTF28	
23	A	Portafiltra 2 vie con filtro	Filter holder 2 way w/filter	DNRIPTF27	
24	A	Filtro 6 gr.	Filter 6 gr.	DNRIRIC05	
24	A	Filtro 7 gr.	Filter 7 gr.	DNRIRIC08	
25	A	Filtro 12 gr.	Filter 12 gr.	DNRIRIC06	
25	A	Filtro 14 gr.	Filter 14 gr.	DNRIFIL09	
26	A	Molla portafiltra	Filter holder spring	DNRIRIC07	
27	A	Filtro cieco	Blind filter	DNRIFIC10	

MASSELLO – VALVE BLOCK



Position	Descrizione	Description	Part. No.	
1	B	Massello completo	Valve block complete	DRCOMAS06
2	B	Valvola di espansione	Expansion valve	DRCORIC08
3	B	Valvola di ritegno	Non return valve	DRCORIC09
4	B	OR valvola di ritegno	OR non return valve	DRCORIC10
5	B	Molla valvola di ritegno	Non return valve spring	DRCORIC11
6	B	Guarnizione 1/4	Gasket 1/4	DRCORIC12
7	B	Portaguarnizione valvole	Holder gasket	DRCORIC46
8	B	Molla	Spring	DRCORIC13
9	B	Elettrovalvola 220/240-50/60	Solenoid valve 220/240-50/60	DNRIELP03
10	B	OR elettrovalvola	Solenoid OR	DNRIRIC04
11	B	Corpo massello	Valve block body	DRCORIC14
12	B	Guarnizione	Gasket	DRCORIC21
13	B	Guarnizione	Gasket	DRCORIC22
14	B	Raccordo	Fitting	DRCORIC23
15	B	Raccordo	Fitting	DRCORIC24
16	B	Ghiera 3/8	Lock nut 3/8	DRCORIC25
17	B	OR viton	OR viton	DRCORIC26
18	B	Guarnizione e valvola stelo	Gasket and valve stem	DRCORIC27
19	B	Molla	Spring	DRCORIC28
20	B	Piattello leva massello	Manual fill assembly lever plate	DRCORIC29
21	B	Leva massello	Lever manual fill assembly	DRCORIC30
22	B	Dado 3/8	Nut 3/8	DRCORIC31
23	B	Elettrovalvola x miscelazione regolabile	Adjustable solenoid valve	DPRKELE04

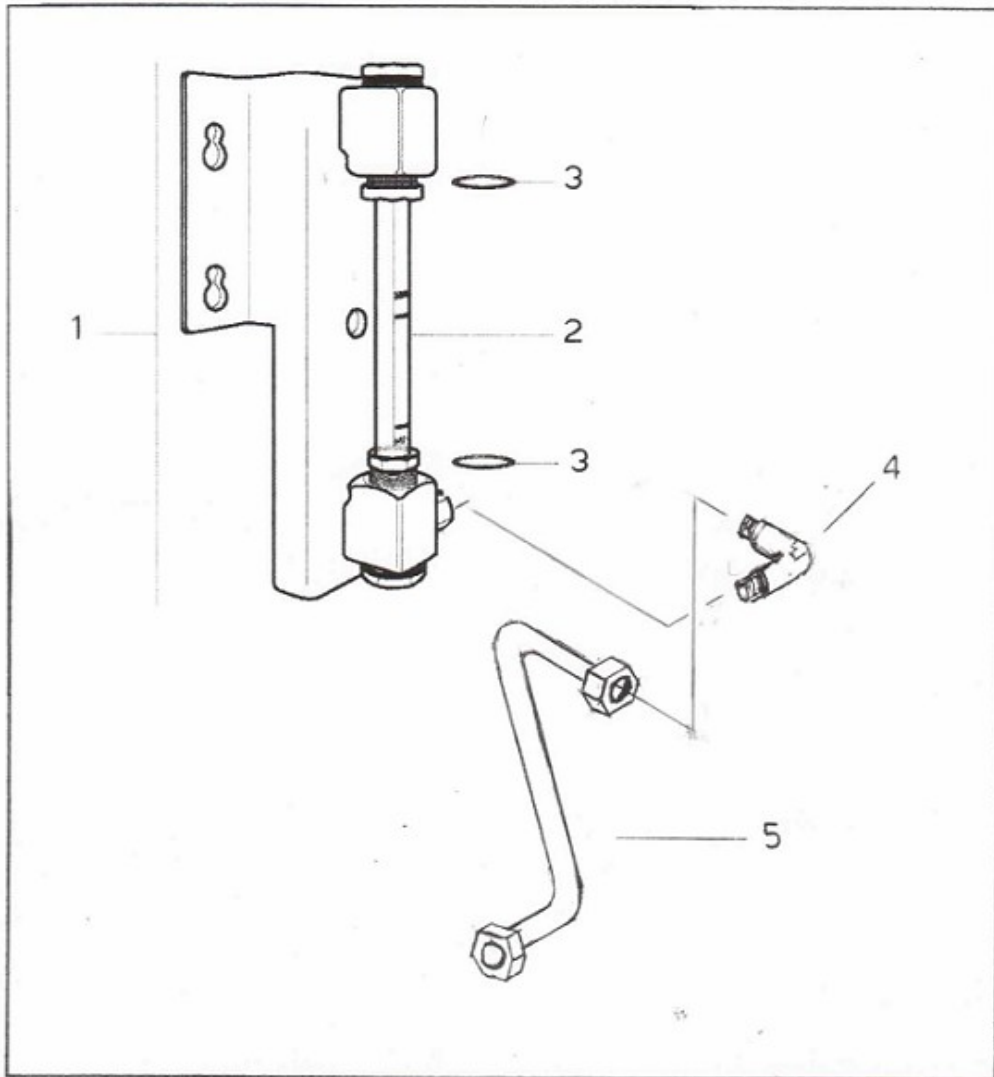
CALDAIA - BOILER



CALDAIA – BOILER

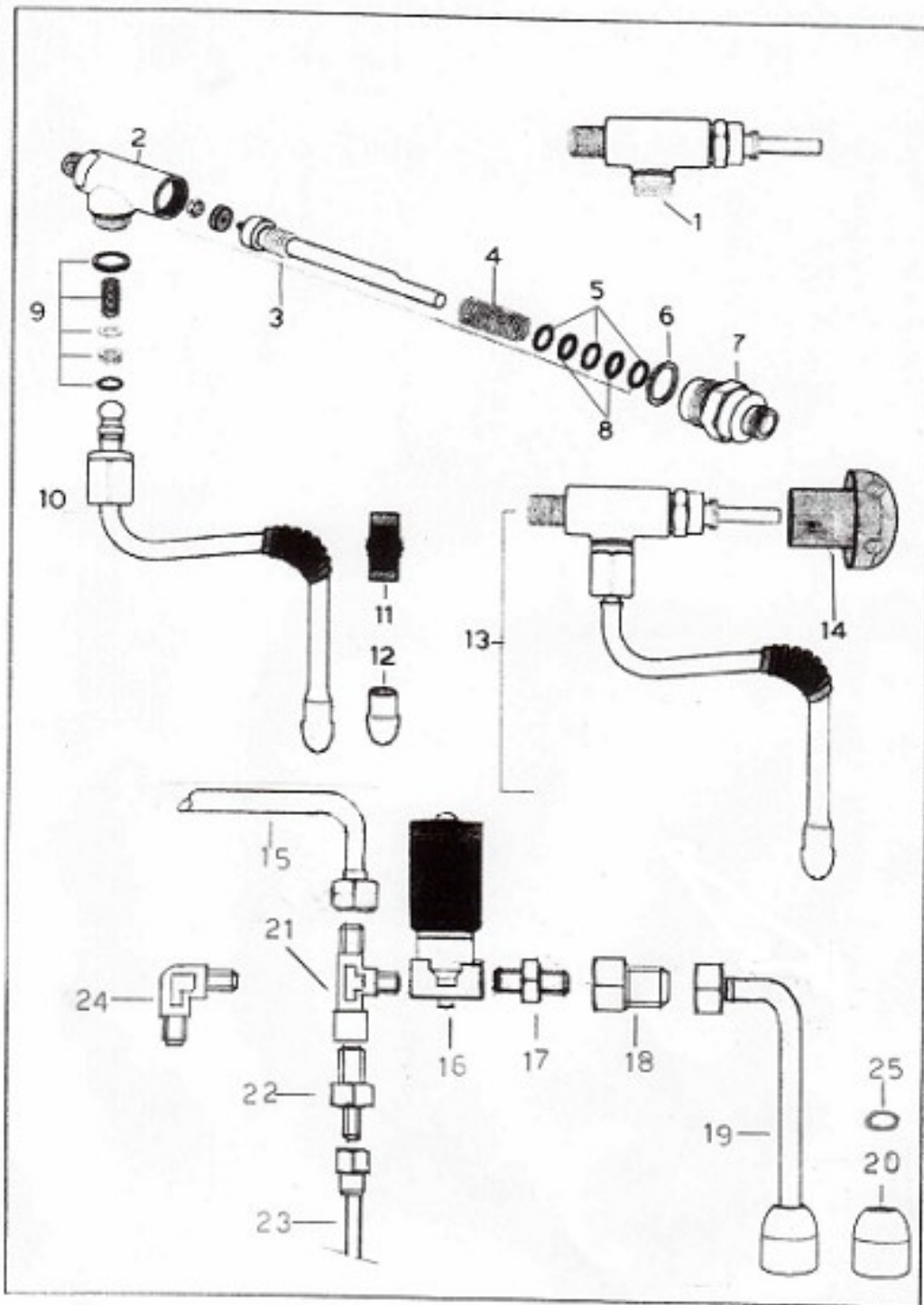
Position	Descrizione	Description	Part. No.
1 C	Tubo pressostato	Pressure switch pipe	DSEMTUBE05
2 C	Tubo vapore destro	Right side steam pipe	DSEMTUBE07
3 C	Sonda autolivello mm 140	Probe boiler autofill	DNRISON02
4 C	Valvola di sicurezza autocertif.	Safety valve	DNRIVAL12
5 C	Valvola antirisucchio	Vacuum breaker valve	DRCOVAL08
6 C	Tubo vapore sinistro	Left side steam pipe	DSEMTUBE06
7 C	Tubo mass/initettore semiaut.	Valve block/injector pipe semiaut.	DSEMTUB17
8 C	Tubo cont.vol.iniett.	Flowmer injector pipe	DSEMTUBE03
9 C	Tubo mass/cont.volum 2 grup.	Valve block pipe/flowmeter 2 gr.	DSEMTUBE02
9 C	Tubo mass/cont.volum. 3 grup	Valve block pipe/flowmeter 3 gr.	DSEMTUB3GR03
10 C	Raccordo L ½ ritorno scamb.	Connector L ½ outlet	DRCORAC10
11 C	Capillare manometro caldaia	Pipe gauge to boiler	DORMCAP06
12 C	Pescante acqua calda	Float hot water	DSEMPES16
13 C	Tubo iniettore	Inictor	DRCOTUB07
14 C	Tubo ritorno gruppo scamb.	Outlet pipe	DSEMTUBE11
15 C	Tubo del livello	Level pipe	DSEMTUBE01
16 C	Capillare massello manometro	Valve block pipe to gauge	DORMCAP03
17 C	Tubo svuotamento acqua caldaia	Hot water drain pipe	DSEMTUBE09
18 C	Riduzione diam.4	Reductor diam. 4	DPUCRIC06
18 C	Riduzione diam. 3	Reductor diam. 3	DPUCRIC04
18 C	Riduzione diam. 2	Reductor diam. 2	DPUCRIC05
19 C	Tubo andata gruppo scambio	Inlet pipe	DSEMTUBE12
20 C	Raccordo L ½ andata	Connector L ½ intlet	DRCORAC09
21 C	Caldaia 2 gr	Boiler 2 gr.	DGIOCAL03
21 C	Caldaia 2 gr COMPATTA	Boiler 2 gr. COMPATTA	DGIOCAL04
21 C	Caldaia 3 gr.	Boiler 3 gr.	DGIOCAL05
22 C	Rubinetto scarico INOX	Stainless steel tap	DNRIRIC10
23 C	Vaschetta scarico	Drain cup	DTPLVAS01
24 C	Resistenza V230 3000W 2gr	Heat.element V230-3000W 2gr.	DIRCRES01
24 C	Resistenza V230 COMPATTA	Heat.element V230- COMPATTA	DIRCRES06
24 C	Resistenza V230 4000W 3gr	Heat element V230- 4000W 3gr.	DIRCRES04
24 C	Resistenza V230 5000W 2 gr	Heat element V230 – 5000W 2gr.	DIRCRES05
24 C	Resistenza V230 5000W 3 gr.	Heat element V230 – 5000W 3gr.	DIRCRES07
25 C	Guarnizione	Gasket	DNRIGNZ13
26 C	Tubo PVC diam.16 mt 1	PVC pipe diam.16 mt1	DGDTGUA03
27 C	Tubo silicone diam. 8X10 1mt	Silicon pipe diam. 8X10 mt	DOVATUB01
28 C	Portagomma ¼	Hose barbe male ¼	DNRIPTG31

ASSIEME LIVELLO / LEVER ASSEMBLY



Position	Descrizione	Description	Part. No.
1 D	Assieme livello completo	Lever assembly	DASSLIVCOM
2 D	Vetro livello	Sight glass	DNRIVET57
3 D	OR vetro livello	OR	DNRIOR71
4 D	Raccordo L 1/8-1/8 M	Fitting L 1/8-1/8 M	DNRIRAC52
5 D	Tubo carico acqua caldaia	Boiler charge pipe	DSEMTUBE04

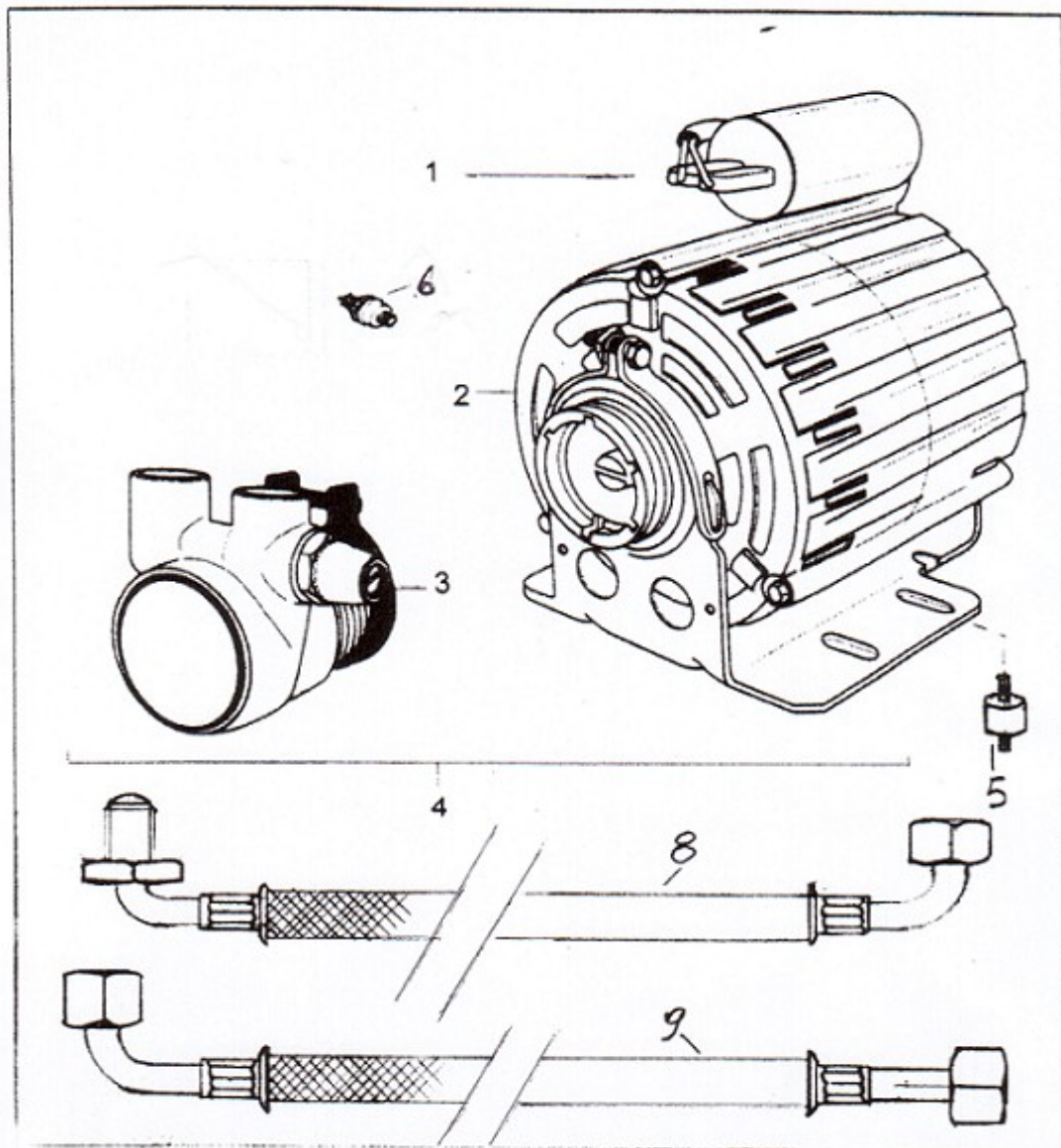
ASSIEME ACQUA E VAPORE / STEAM AND HOT WATER ASSEMBLY



ASSIEME ACQUA E VAPORE / STEAM AND HOT WATER ASSEMBLY

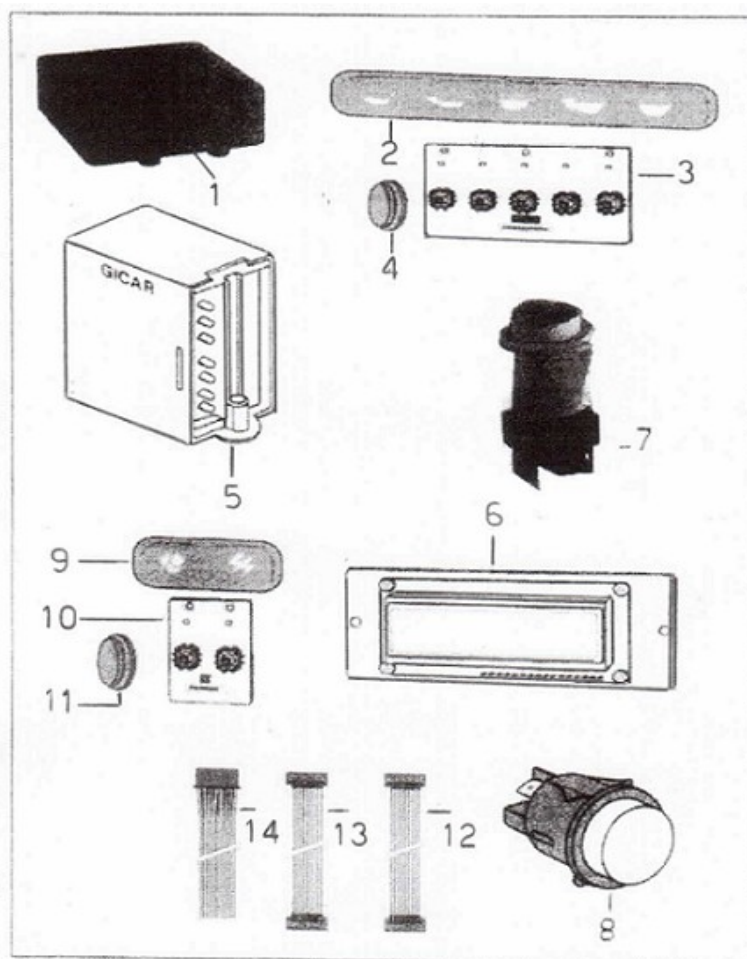
Position		Descrizione	Description	Part. No.
1	E	Rubinetto completo	Tap complete	DRCORUB05
2	E	Corpo rubinetto	Tap base	DRCORIC01
3	E	Asta rubinetto completa	Tap shaft	DRCORIC02
4	E	Molla	Spring	DRCORIC03
5	E	Rondella	Plate	DRCORIC04
6	E	Rondella	Plate	DRCORIC05
7	E	Raccordo	Connector	DRCORIC06
8	E	OR	OR	DRCORIC07
9	E	Assieme snodo lancia vapore	Joint assembly	DDVGRIC01
10	E	Lancia vapore completa	Steam wand complete	DDVGRIC02
11	E	Isolante lancia vapore	Insulation steam wand	DDVGRIC03
12	E	Spruzzatore vapore 3 fori	Steam nozzle 3 holes	DDVGRIC04
12	E	Spruzzatore vapore 4 fori	Steam nozzle 4 holes	DDVGRIC05
13	E	Rubinetto vapore c/lancia	Steam tap w/wand	DRUBVAPEC
14	E	Manopola vapore	Steam knob	DZATMAN02
15	E	Tubo pescante – racc. 3 vie	Pipe – connector 3 ways	DSEMTUBE08
16	E	Elettrovalvola ¼ V220/50-60	Hot water solenoid valve	DPRKESA03
17	E	Raccordo ¼ – ¼	Connector	DNRINIP20
18	E	Raccordo ¼ F 3/8 M	Connector	DDVGRID43
19	E	Lancia acqua completa	Hot water wand	DSEMTUBE13
20	E	Spruzzatore acqua calda	Hot water diffuser	DNRIRIC01
21	E	Raccordo 3 vie ¼ 2M 1 F	Fitting T ¼ MMF	DNRIRAC72
22	E	Raccordo ¼ – 1/8	Fitting ¼ - 1/8	DNRIRAC54
23	E	Tubo Rilsan completo	Rilsan pipe complete	DNRITUB49
24	E	Raccordo L ¼ per semiautom.	Fitting L ¼ for semiautomatic	DNRIGOM90
25	E	OR	OR	DNRIRIC02

ELETTROPOMPA – ACCESSORI – FLESSIBILI



Position	Descrizione	Description	Part. No.
1 F	Condensatore 220V	Capacitor 220v	DNRIRIC03
2 F	Motore	Motor	DRPMMOT01
3 F	Pompante	Pump	DNVEPOM09
4 F	Elettropompa completa	Pump complete	DRPMMOT01
5 F	Antivibrante	Shock Absorber	DPATANT01
6 F	Filtro ingresso acqua	Water injet filter	DDVGRIC07
8 F	Tubo flex 350 curvo 3/8 M/F	Pipe flex 350 3/8 M/F	DRMGLE01
9 F	Tubo flex 2000 3/8 M/F	Pipe flex 2000 3/8 M/F	DMRGFLE03

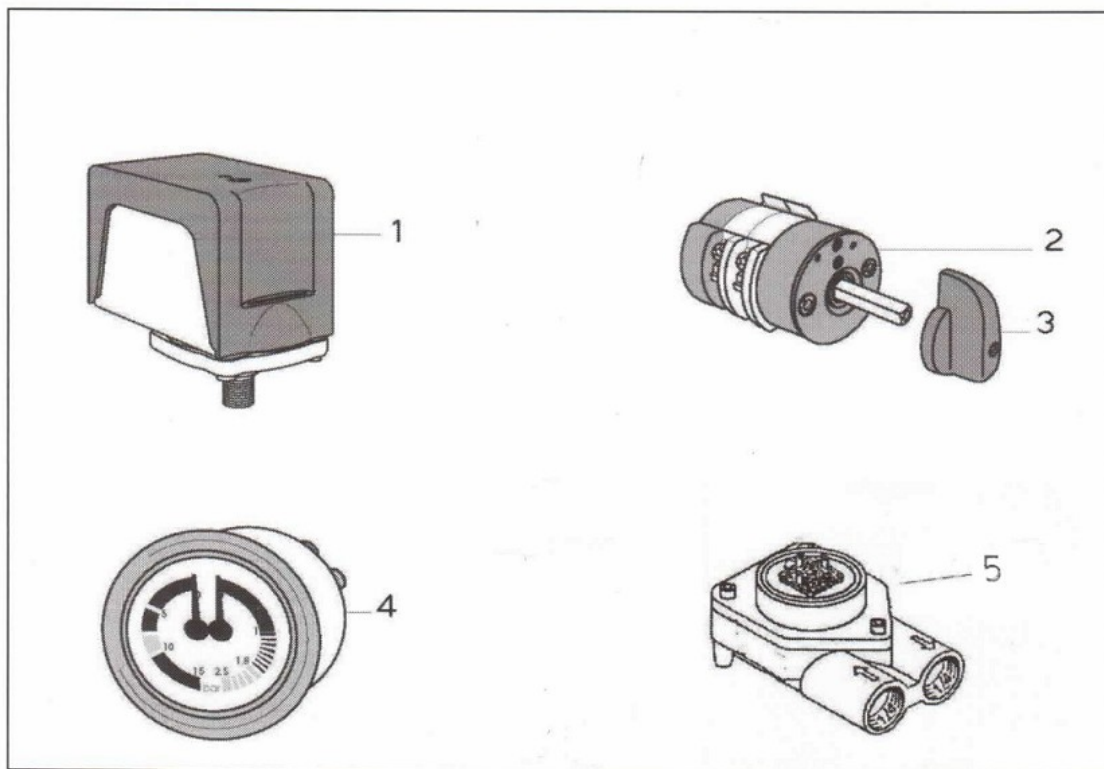
CENTRALINA



Position	Descrizione	Description	Part. No.	
1 G	Centralina autom.V230/50-60	Automatic board	DGICCEN07	
2 G	adesivo pulsantiera automatica	Label automatic touch pad	DPFPETI02	
3 G	Base pulsantiera automatica	Automatic touch pad base	DGICPUL08	
4 G	Tasto pulsantiera automatica	Key automatic touch pad	DS2CPUL03	
5 G	Centralina semiaut.V240/50-60	Semiautomatic board	DGICREG04	
6 G	Display	Display	DGICSCH10	
7 G	Pulsante semiautomatica	Button semiautomatic	DPULSSEMI	
8 G	Pulsante emergenza automatica	Emergency button automatic	DMOLINT02	
9 G	Adesivo acqua calda-scaldataz.	Label hot water-cup warmer		
10 G	Base acqua calda-scaldatazze	Base hot water-cup warmer	DGICPUL09	
11 G	Tasto acqua calda-scaldatazze	Key hot water-cup warmer	DS2CPUL03	
12 G	Cavo coll.Central/puls 600mm	Flat cable board-pad 600 mm	DELCRIC11	
12 G	Cavo coll.Central/puls 800mm	Flat cable board-pad 800mm	DELCRIC10	
12 G	Cavo coll.Central/puls 1200mm	Flat cable board-pad 1200mm	DELCRIC12	
13 G	Cavo coll.Cent/display 1000mm	Flat cable board-display 1000mm	DELCRIC13	
13 G	Cavo coll.Cent/display 1200mm X 3 gruppi	Flat cable board-display 1200mm for 3gr.	DELCRIC14	

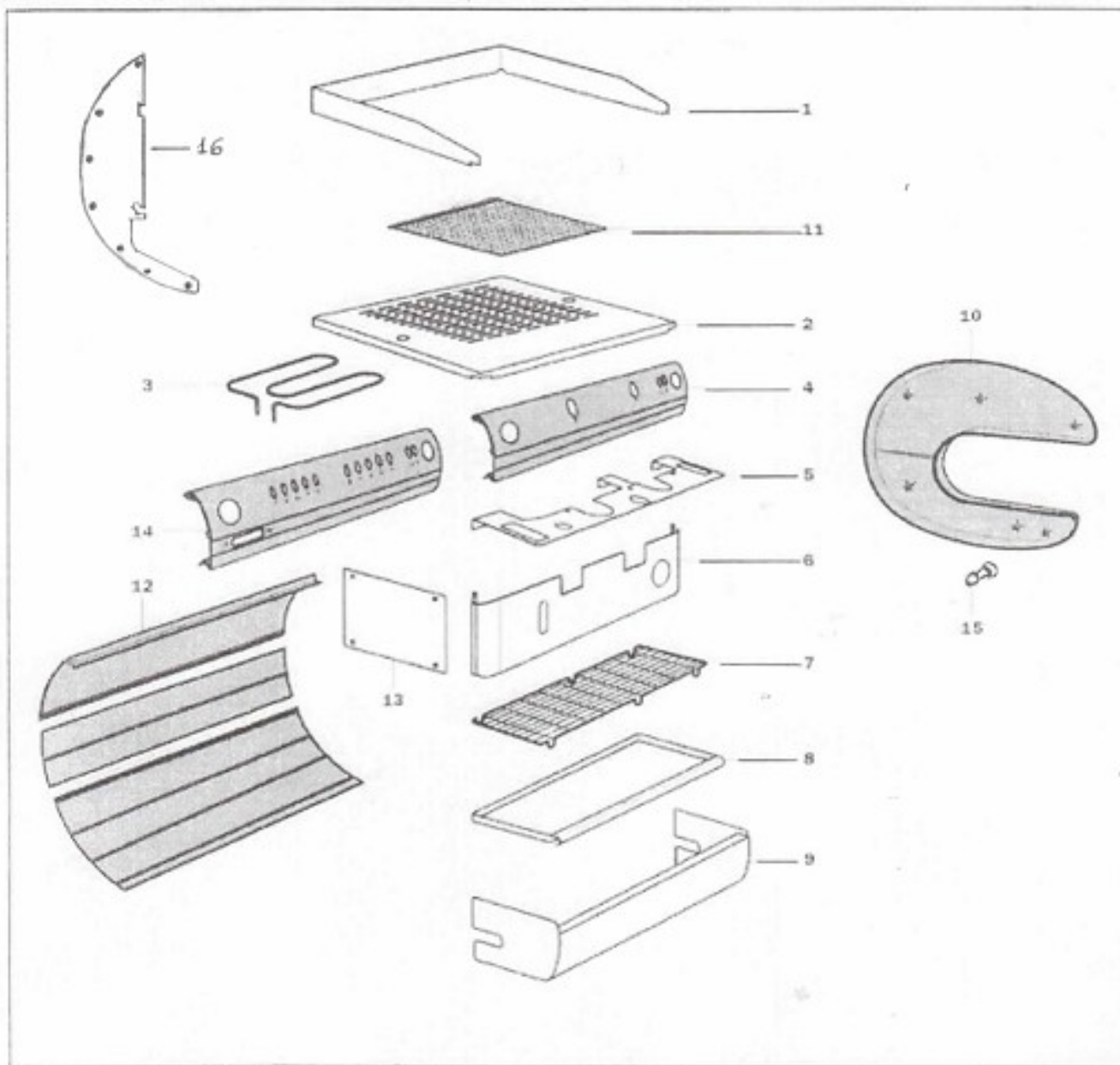
14	G	Cavo coll.Cent/acqua calda 300mm	Flat cable board-hot water 300 mm	DGICCAV10	
14	G	Cavo coll.Cent/scaldatazze 600 mm	Flat cable board cup warmer 600 mm	DELCRIC15	

ELETTRICO / ELECTRIC



Position		Descrizione	Description	Part. No.	
1	H	Pressostato CE 30 AMP	Pressure switch 30 AMP	DNRIPRE38	
2	H	Commutatore	Switch	DELCRIC01	
3	H	Manopola commutatore	Swith handle	DELCRIC02	
4	H	Manometro doppio c/staffa	Double guage w/support	DORMRIC02	
5	H	Contatore volumetrico	Volumetric doser	DGICCON03	

CARROZZERIA/BODYWORK



Position		Descrizione	Description	Part. No.
1	K	Vetrinetta 2gr.	Cup frame 2 gr.	DSERVET01
1	K	Vetrinetta 3 gr.	Cup frame 3 gr.	DSERVET02
2	K	Scaldatazze 2 gr.	Cup warmer 2 gr.	DFUSSCA36
2	K	Scaldatazze 3 gr.	Cup warmer 3 gr	DFUSSCA37
3	K	Resistenza scaldatazze 2 gr.	Cup warmer heating elem. 2gr.	DIRCRES02
3	K	Resistenza scaldatazze 3 gr.	Cup warmer heating elem. 3gr.	DIRCRES03
4	K	Frontale semiaut.2gr.nero	Front panel 2 gr.semiaut.black	DVERFRO01
4	K	Frontale semiaut.2g.tortora	Front panel 2gr. semiaut.turtledove	DVERFRO02
4	K	Frontale semiaut.2gr.rosso	Front panel 2 gr.semiaut.red	DVERFRO03
4	K	Frontale semiaut.2gr argento	Front panel 2gr. Semiaut. Silver	DVERFRO60
4	K	Frontale semiaut.2gr.bianco	Front panel 2 gr.semiaut.white	DVERFRO43
4	K	Frontale semiaut.3gr.nero	Front panel 3 gr.semiaut.black	DVERFRO04
4	K	Frontale semiaut.3gr.tortora	Front panel 3 gr.semiaut.turtledove	DVERFRO05
4	K	Frontale semiaut.3gr.rosso	Front panel 3gr.semiaut.red	DVERFRO06
4	K	Frontale semiaut.3gr.bianco	Front panel 3 gr. semiaut.white	DVERFRO44
4	K	Frontale semiauto 3gr. Argento	Front panel 3 gr semiauto silver	DVERFRO61
5	K	Protezione gruppi 2gr.	Upper group cover 2 gr.	DFUSPRO38
5	K	Protezione gruppi 3 gr.	Upper group cover 3gr.	DFUSPRO39
6	K	Copertura gruppi 2gr.ITALIA	Group cover 2gr. ITALIA	DFUSCOP40
6	K	Copertura gruppi 2gr.AMERICA	Group cover 2gr. AMERICA	DFUSCOP41
6	K	Copertura gruppi 3gr.ITALIA	Group cover 3gr.ITALIA	DFUSCOP42
6	K	Copertura gruppi 3gr.AMERICA	Group cover 3gr.AMERICA	DFUSCOP43
7	K	Griglia 2gr.	Drip tray grid 2gr.	DFUSGRI44
7	K	Griglia 3gr.	Drip tray grid 3gr.	DFUSGRI45
8	K	Bacinella scarico 2 gr.	Drip tray 2 gr.	DFUSBAC46
8	K	Bacinella scarico 3 gr.	Drip tray 3 gr.	DFUSBAC47
9	K	Portabacinella 2 gr. Nero ITALIA	Drip tray cover 2 gr. Black ITALIA	DVERPBA07
9	K	Portabacinella 2 gr.tortora ITALIA	Drip tray cover 2gr. Turtledove ITALIA	DVERPBA08
9	K	Portabacinella 2 gr. Rosso ITALIA	Drip tray cover 2 gr. Red ITALIA	DVERPBA09
9	K	Portabacinella 2 gr. Bianco ITALIA	Drip tray cover 2gr. White Italia	DVERPBA45
9	K	Portabacinella 2 gr.argento ITALIA	Drip tray cover 2 gr. Silver Italia	DVERPBA62
9	K	Portabacinella 3 gr. Nero ITALIA	Drip tray cover 3gr. Black ITALIA	DVERPBA10
9	K	Portabacinella 3 gr.tortora ITALIA	Drip tray cover 3 gr. Turtledove ITALIA	DVERPBA11
9	K	Portabacinella 3 gr. Rosso ITALIA	Drip tray cover 3 gr. Red ITALIA	DVERPBA12
9	K	Portabacinella 3 gr. Bianco ITALIA	Drip tray cover 3 gr. White ITALIA	DVERPBA46
9	K	Portabacinella 3 gr. Argento ITALIA	Drip tray cover 3 gr. Silver ITALIA	DVERPBA63
9	K	Portabacinella 2 gr. Nero AMERICA	Drip tray cover 2 gr. Black AMERICA	DVERPBA31
9	K	Portabacinella 2 gr.tortora AMERICA	Drip tray cover 2 gr. Turtledove AMERICA	DVERPBA32
9	K	Portabacinella 2 gr. Rosso AMERICA	Drip tray cover 2 gr. Red AMERICA	DVERPBA33
9	K	Portabacinella 2 gr. Bianco AMERICA	Drip tray cover 2 gr. White AMERICA	DVERPBA47
9	K	Portabacinella 2gr. Argento AMERICA	Drip tray cover 2 gr. Silver AMERICA	DVERPBA72
9	K	Portabacinella 3 gr. Nero AMERICA	Drip tray cover 3 gr. Black AMERICA	DVERPBA34
9	K	Portabacinella 3 gr.tortora AMERICA	Drip tray cover 3 gr. Turtledove AMERICA	DVERPBA35
9	K	Portabacinella 3 gr. Rosso AMERICA	Drip tray cover 3 gr. Red AMERICA	DVERPBA36
9	K	Portabacinella 3 gr. Bianco AMERICA	drip tray cover 3 gr. White AMERICA	DVERPBA48
9	K	Portabacinella 3 gr. Argento AMERICA	Drip tray cover 3 gr. Silver AMERICA	DVERPBA73
10	K	Spalla dx nero	Right side panel black	DVERSPA13
10	K	Spalla dx tortora	Right side panel turtledove	DVERSPA14
10	K	Spalla dx rosso	Right side panel red	DVERSPA15
10	K	Spalla dx bianca	Right side panel white	DVERSPA49
10	K	Spalla dx argento	Right side panel silver	DVERSPA64
10	K	Spalla sx nero	Left side panel black	DVERSPA16
10	K	Spalla sx tortora	Left panel turtledove	DVERSPA17
10	K	Spalla sx rosso	Left panel red	DVERSPA18
10	K	Spalla sx bianca	Left panel white	DVERSPA50
10	K	Spalla sx argento	Left panel silver	DVERSPA65
11	K	Griglia plastica 390X210 mm	Plastic grid 390x210 mm	DZATGRI01

12	K	Kit Posteriore 2 gr. Nero	Rear panel 2 gr. Black	DPOS2GRN	
12	K	Kit Posteriore 2 gr. Tortora	Rear panel 2 gr. Turtledove	DPOS2GRT	
12	K	Kit Posteriore 2 gr. Rosso	Rear panel 2gr. Red	DPOS2GRR	
12	K	Kit Posteriore 2 gr. Argento	Rear panel 2 gr.Silver	DPOS2GRA	
12	K	Kit Posteriore 3 gr. Nero	Rear panel 3gr. Black	DPOS3GRN	
12	K	Kit Posteriore 3 gr. Tortora	Rear panel 3 gr. Turtledove	DPOS3GRT	
12	K	Kit Posteriore 3 gr. Rosso	Rear panel 3 gr. Red	DPOS3GRR	
12	K	Kit Posteriore 3 gr. Argento	Rear panel 3 gr. Silver	DPOS3GRA	
13	K	Copertura inox spalla dx	Right side panel cover	DFUSCOV48	
13	K	Copertura inox spalla sx	Left side panel cover	DFUSCOV49	
14	K	Frontale autom. 2gr.nero	Front panel 2 gr. autom.black	DVERFRO25	
14	K	Frontale autom. 2gr. Tortora	Front panel 2 gr.aut.turtledove	DVERFRO26	
14	K	Frontale autom.2gr. Rosso	Front. panel 2 gr. Autom red	DVERFRO27	
14	K	Frontale autom. 2gr.Bianco	Front panel 2 gr. Autom white	DVERFRO54	
14	K	Frontale autom. 2gr. Argento	Front panel 2 gr. Autom silver	DVERFRO74	
14	K	Frontale autom.3 gr. Nero	Front panel 3 gr. Autom black	DVERFRO28	
14	K	Frontale autom.3gr. Tortora	Front panel 3 gr. Aut.turtledove	DVERFRO29	
14	K	frontale autom.3gr.rosso	Front panel 3 gr. Autom red	DVERFRO30	
14	K	Frontale autom. 3gr. Bianco	Front panel 3 gr. Autom.white	DVERFRO56	
14	K	Frontale autom. 3 gr. Argento	Front panel 3 gr. Autom. Silver	DVERFRO75	
15	K	Perno bloccaggio spalla	Side panel fixing screw	DPUCPER03	
16	K	Flangia unione pannello posteriore	Flange union back panel	DFUSLUP91	