
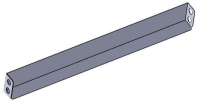


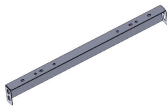

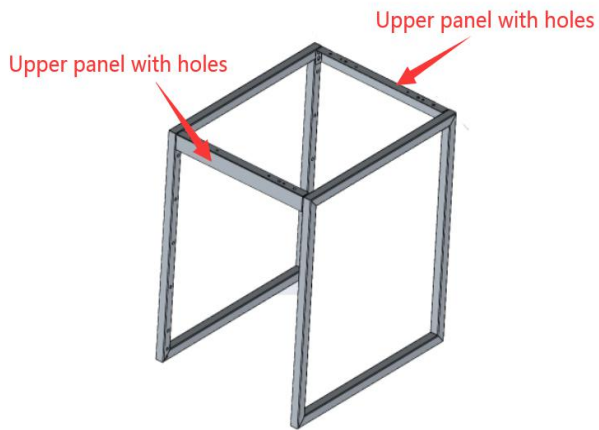


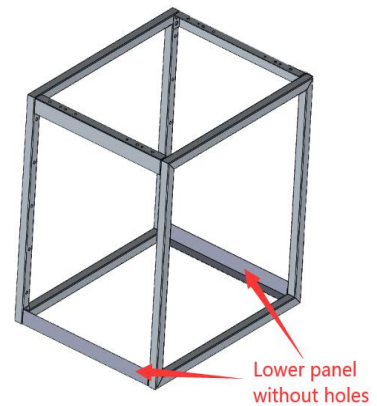
## GN/EN Building shelf Spare parts list & Instruction Manual

| NO. | Description            | Quantity | Photo   | NO. | Description               | Quantity | Photo   |
|-----|------------------------|----------|---|-----|---------------------------|----------|---|
| 1   | Pipe frame             | 2PCS     |  | 4   | Lower panel without holes | 2PCS     |  |
| 2   | GN/EN Pan supporter    | 10PCS    |  | 5   | M5*16 Screw               | 36PCS    |  |
| 3   | Upper panel with holes | 2PCS     |  | 6   | Screw driver              | 1 PCS    |  |

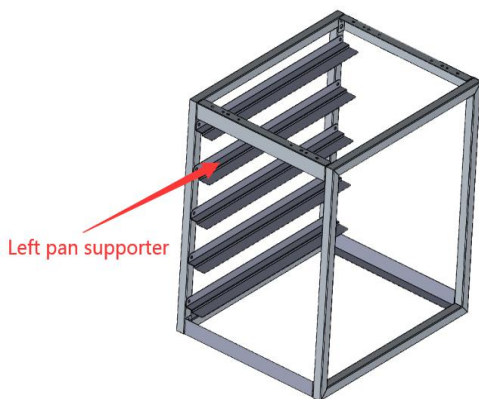
**First Step:**  
Install two pipe frames with upper panel (with holes)



**Second Step:**  
Install two pipe frames with lower panel (without holes)



**Third Step:**  
Install the left GN/EN pan supporter



**Fourth Step:**  
Install the right GN/EN pan supporter

