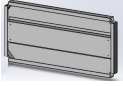



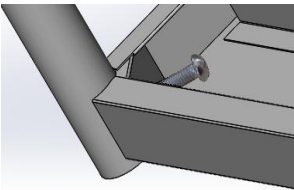
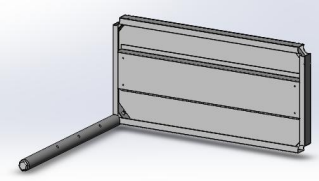
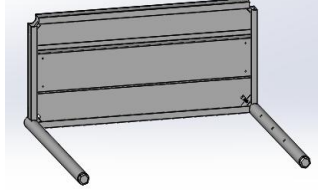


## Over Shelf for Work table Spare parts & Instruction Manual

NO.	Description	Quantity	Photo
1	Shelf	2PCS	
2	Screw Driver	1PCS	
3	Legs	4PCS	
4	Screw & Washer for the shelf M8*60MM	8PCS	

First Step	Second Step	Third Step
		
Fourth Step	Fifth Step	Sixth Step
