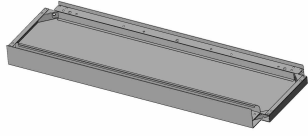

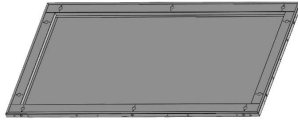

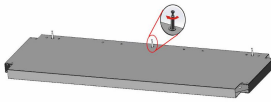

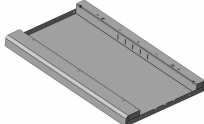

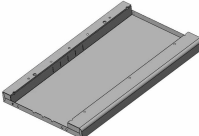



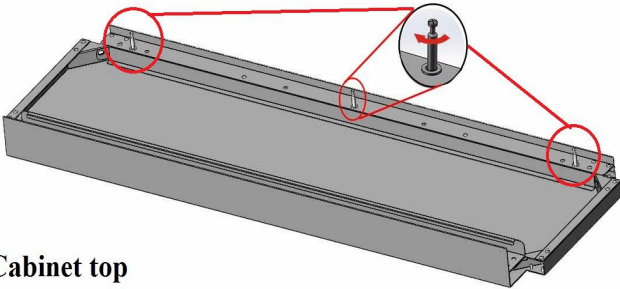
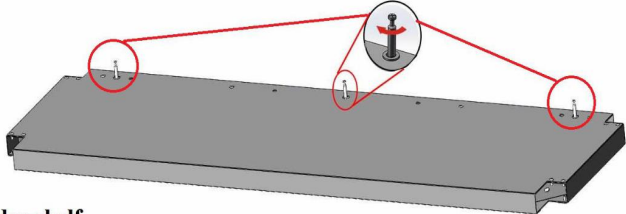
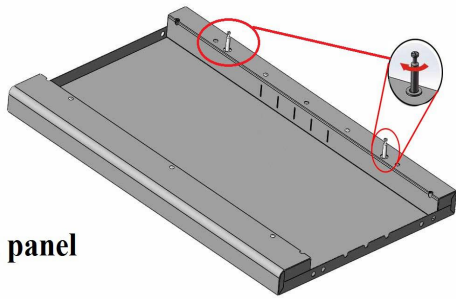


Assemble wall cabinet Spare parts list

NO.	Description	Qty	Photo	NO.	Description	Qty	Photo
1	Cabinet top	1		7	Support for middle shelf	4	
2	Back panel	1		8	Screw for top	4	
3	Cabinet under shelf	1		9	Screw for under shelf	4	
4	Left panel	1		10	Connecting rod	10	
5	Right panel	1		11	Driver set	1	
6	Middle shelf	1		12	Driver set	1	

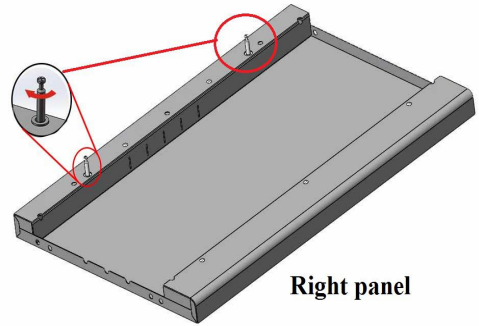
Assemble cabinet Instruction Manual

 <p>Cabinet top</p>	 <p>under shelf</p>
① Install the connecting rod for the top, total 3pcs	② Install the connecting rod for the under shelf, total 3pcs



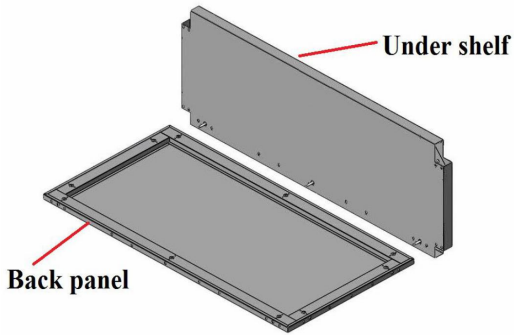
left panel

③ Install the connecting rod for the left panel, total 2pcs



Right panel

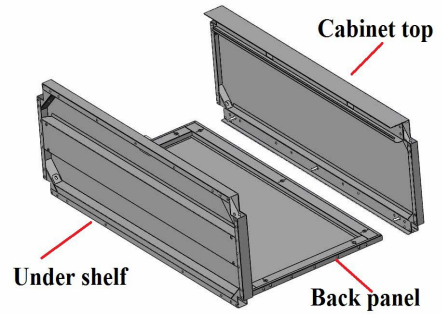
④ Install the connecting rod for the right panel, total 2pcs



Back panel

Under shelf

⑤ Connect the under shelf and back panel

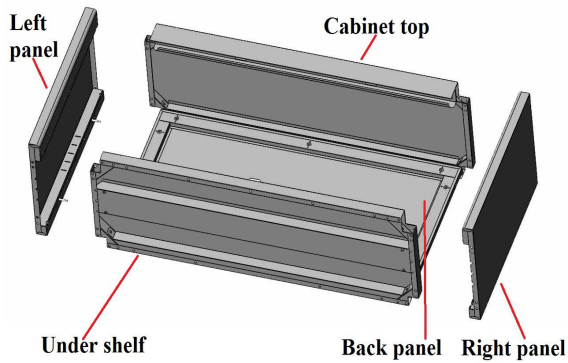


Under shelf

Cabinet top

Back panel

⑥ Connect the top and back panel



Left panel

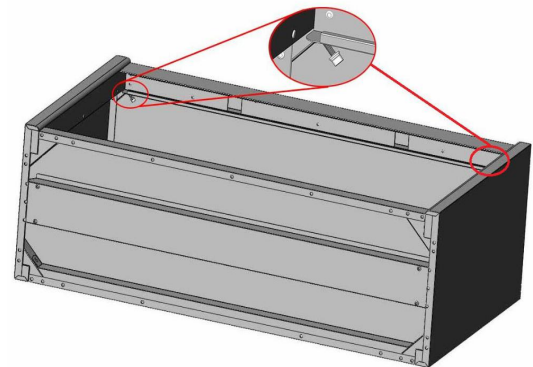
Cabinet top

Under shelf

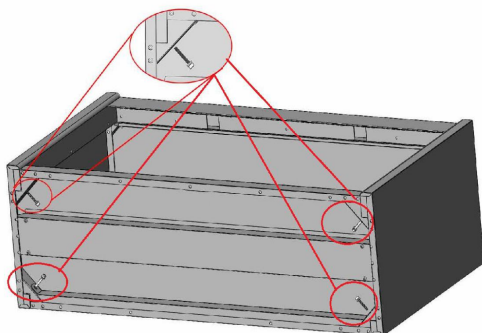
Back panel

Right panel

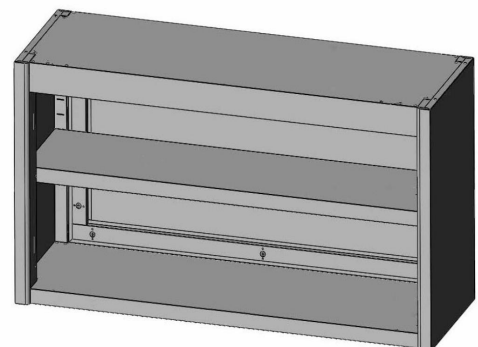
⑦ Connect the left panel and right panel



⑧ Finish the screw for top, total 4pcs



⑨ Finish the screw for under shelf, total 4pcs



⑩ Install the middle shelf