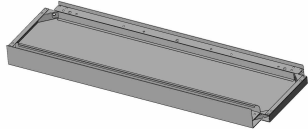



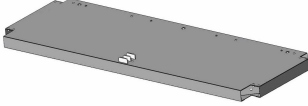

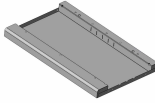

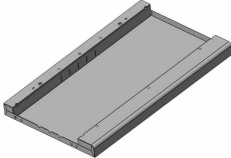

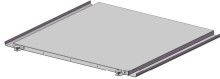

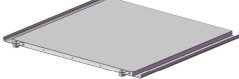
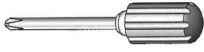
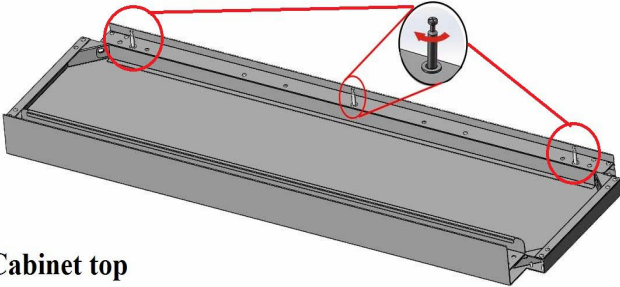
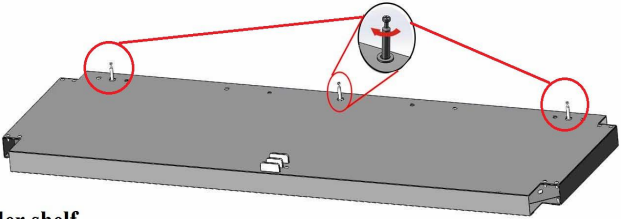
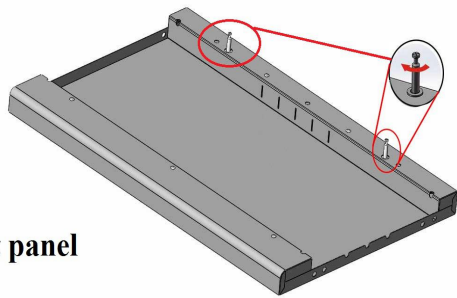


Assemble wall cabinet Spare parts list

NO.	Description	Qty	Photo	NO.	Description	Qty	Photo
1	Cabinet top	1		8	Middle shelf	1	
2	Back panel	1		9	Support for middle shelf	4	
3	Cabinet under shelf	1		10	Screw for top	4	
4	Left panel	1		11	Screw for under shelf	4	
5	Right panel	1		12	Connecting rod	10	
6	Out door	1		13	Driver set	1	
7	Inside door	1		14	Driver set	1	

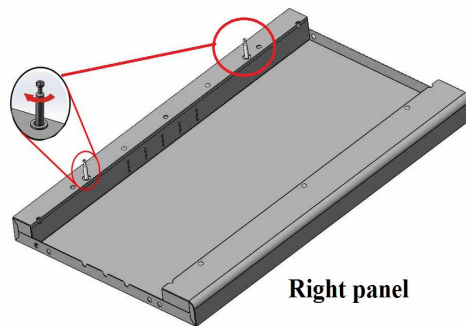
Assemble cabinet Instruction Manual

 <p>Cabinet top</p> <p>① Install the connecting rod for the top, total 3pcs</p>	 <p>under shelf</p> <p>② Install the connecting rod for the under shelf, total 3pcs</p>
---	--



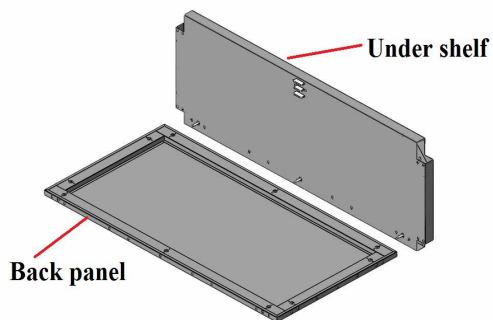
left panel

③ Install the connecting rod for the left panel, total 2pcs

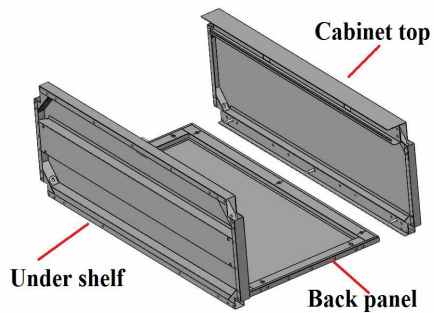


Right panel

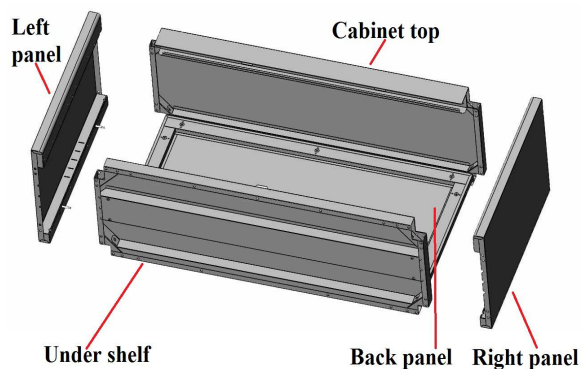
④ Install the connecting rod for the right panel, total 2pcs



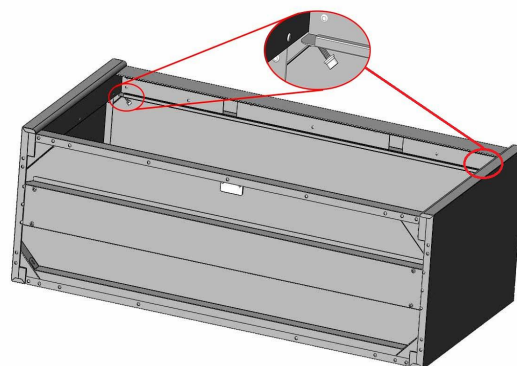
⑤ Connect the under shelf and back panel



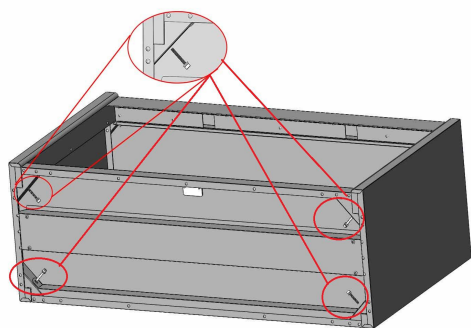
⑥ Connect the top and back panel



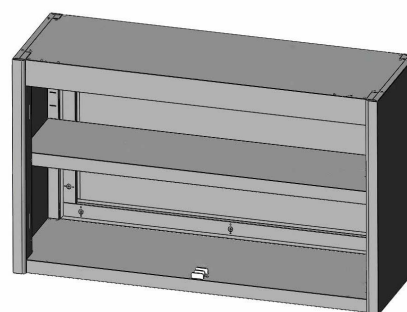
⑦ Connect the left panel and right panel



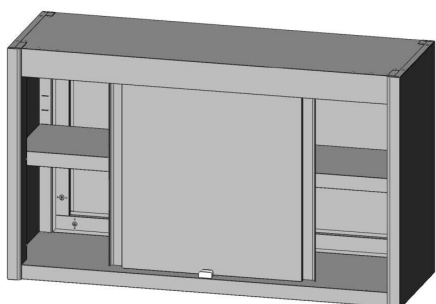
⑧ Finish the screw for top, total 4pcs



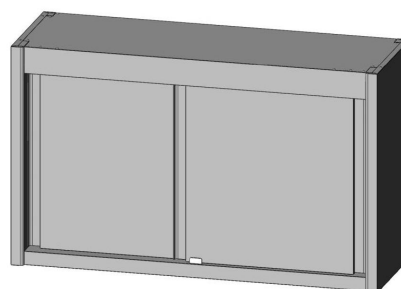
⑨ Finish the screw for under shelf, total 4pcs



⑩ Install the middle shelf



⑪ Install the inside door



⑫ Install the outside door