

BREAD SLICER

CONTENTS

A	GENERAL INFORMATION	Page 2
A1	PRODUCT DESCRIPTION	Page 3
A2	TECHNICAL INFORMATION.....	Page 3
A3	TRANSPORTATION	Page 4
A4	UNPACKING	Page 4
B	INSTALLATION	Page 4
C	SAFETY INSTRUCTIONS	Page 5
D	OPERATION	Page 6
E	CLEANING & MAINTENANCE	Page 7
F	TROUBLESHOOTING	Page 8
G	SPARE PART LIST- EXPLODING DRAWING	Page 9
H	ELECTRIC CIRCUIT SCHEMA	Page 13

A GENERAL INFORMATION

Before installing the appliance, read operation and maintenance instructions carefully. Wrong installation and part changing may damage the product or may cause injury on people. These are not in our company's responsibility to damage the appliance intentionally, negligence, detriments because of disobeying instructions and regulations, wrong connections. Unauthorized intervention to appliance invalidates the warranty.

1. This instruction manual should be kept in a safe place for future reference.
- 2. Installation should be made in accordance with ordinances and security rules of that country by a qualified service personnel.**
3. This appliance has to be used by trained person.
4. Please turn off the appliance immediately in the event of malfunction or failure. The appliance should be repaired only by authorized service personnel. Please demand original spare part.

BREAD SLICER

A1 PRODUCT DESCRIPTION

*The Professional Bread Slicer ,that provides high efficiency has been designed to be used in industrial kitchens.

Product Code	Dimensions (mm)	Weight (kg)	Packaging Dimensions (mm)
3001	717x686x1140	125	760x760x1200
3002	717x686x1140	125	760x760x1200
TBSME10/TBSME13	733x643x682	86	780x710x820

A2 TECHNICAL INFORMATION

Product Code	Capacity (slice/h)	Bread Dimens. (mm)	Slice Thickness (mm)	Blade (piece)	Power (KW)	Oper. Voltage (V)	Cable (mm ²)	Fuse (A)
3001	500	500x140	10-13-16	46-36-30	0,37	220	3x1,5	16
3002	500	500x170	20	24	0,37	220	3x1,5	16
TBSME10/ TBSME13	500	480x130	10-13-16	42-30-26	0,37	220	3x1,5	16

A3 TRANSPORTATION

*This appliance can be moved by hand from area to area. Do not crash and drop the appliance while transporting.

A4 UNPACKING

*Please unpack the package according to the security codes and ordinances of current country and get rid from the pack. Parts which contacts with food are produced by stainless steel. All plastic parts are marked by material's symbol.

*Please check that all the parts of appliance had come completely and if they are damaged or not during the shipping.

B INSTALLATION

*Please place the product to straight and sturdy ground, please take necessary steps against possibility of overturn.

*Technician who will serve for installation and service for the appliance must be professional on this subject and must have installation and service licenses by the company.

*Connection to Electric Power Supply must be done by authorized person.

*Please be sure that the voltage connected to appliance must be equal with the voltage which is on appliance's label.











This appliance must be connected to an earthed outlet in accordance with safety rules and standards.

*Appliance's earthing must be connected to earthing line on panel which is nearest to electric installation.

*Connection to the main fuse and leak current fuse must be done in accordance with the current regulations.

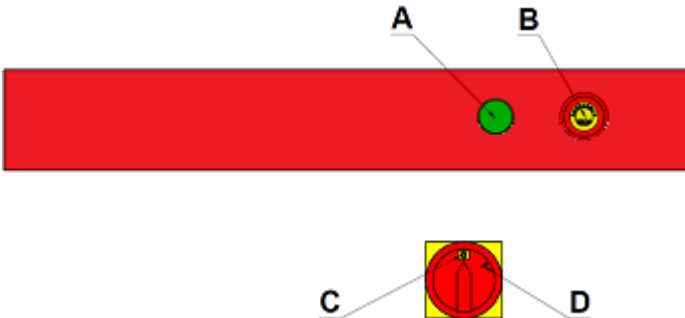
BREAD SLICER

C SAFETY INSTRUCTIONS

-  *Do not use the appliance in insufficient lighted place.
-  *Do not touch the moving attachments while the appliance operates.
-  *Do not install the appliance in the presence of flammable or explosive materials.
-  *Do not operate the appliance when the machine is empty.
-  *Do not load so less or more than appliance's capacity.
-  *Do not attempt to use the appliance without suitable protective equipments.
-  *Because of any reason if there is a fire or flame flare where the appliance is used, turn off all gas valves and electric contactor switch quickly and use fire extinguisher. Never use water to extinguish the fire.
-  *All the damages because of not having earthing connection will not be on warranty.

D OPERATION

*Control Panel;



- A : Signal lamp
- B : Urgent STOP button
- C : Switch OFF position
- D : Switch ON position

*Operating;

- Clean the bread tank and blade with wet cloth.
- Switch to (I) position.
- When the appliance is operated green lamp at the front side of the appliance signals.
- Pull the pushing handle that is with spring to front and keep with your hand.
- Place the breads that will be sliced into the bread tank.
- In order to slice the breads, leave the pushing handle to free.
- Bread tank will come to blades with the breads in it and the breads will be sliced by movement blades.
- Blades stop when pushing handle comes back to beginning position.
- In order to stop the appliance press URGENT STOP button.
- When the operation is completed, switch to (0) position or unplug the appliance.

BREAD SLICER

E CLEANING & MAINTENANCE

➤ **CLEANING AND MAINTENANCE AFTER EVERY USE**

- Always turn off the appliance and disconnect from the power supply before cleaning.
- Clean the outer surface of the appliance ,tank and cutting blades with wet cloth and then dry.
- Do not use abrasive cleaning chemicals as these can leave harmful residues.
- Do not clean the appliance by spraying water directly,otherwise electric motor may get damaged.

➤ **PERIODIC CLEANING AND MAINTENANCE**

- Maintenance should be done by qualified person.
- Get the periodic maintenance of the appliance once in every 15 days.
- The Bread Slicers require low maintenance (Motor and ball bearings are lubricated).
- Check the spring of pushing handle in periodic times.

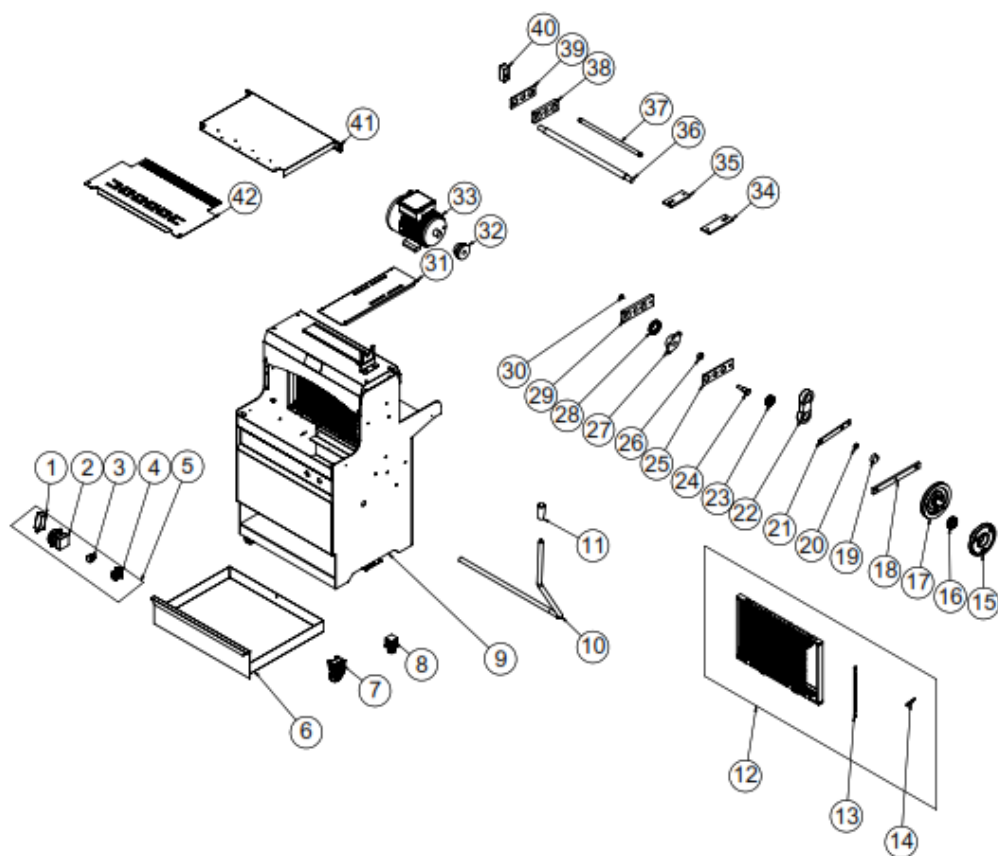
F TROUBLESHOOTING

THE APPLIANCE DOESN'T OPERATE	<ol style="list-style-type: none">1. Check if the appliance is plugged in.2. Check the electrical connections and voltage.3. If the URGENT STOP button is pressed,the appliance doesn't operate.
THE BREAD SLICES DON'T GO OUT	<ol style="list-style-type: none">1. If the spring of pushing handle is broken,it can not move forward and back and the slices don't go out.
THE APPLIANCE STOPPED	<ol style="list-style-type: none">1. The appliance can stop due to low voltage.In this situation check the voltage.2. The appliance may stop when it is overloaded.
<ul style="list-style-type: none">• If bread slicing is not done at suitable quality• If any function of security doesn't work<ul style="list-style-type: none">➤ Do not use the appliance.	

***If these problems are still going on,contact with our authorized services.**

BREAD SLICER

G SPARE PART LIST-EXPLODING DRAWING



3001-10-13-16
3002

BREAD SLICER

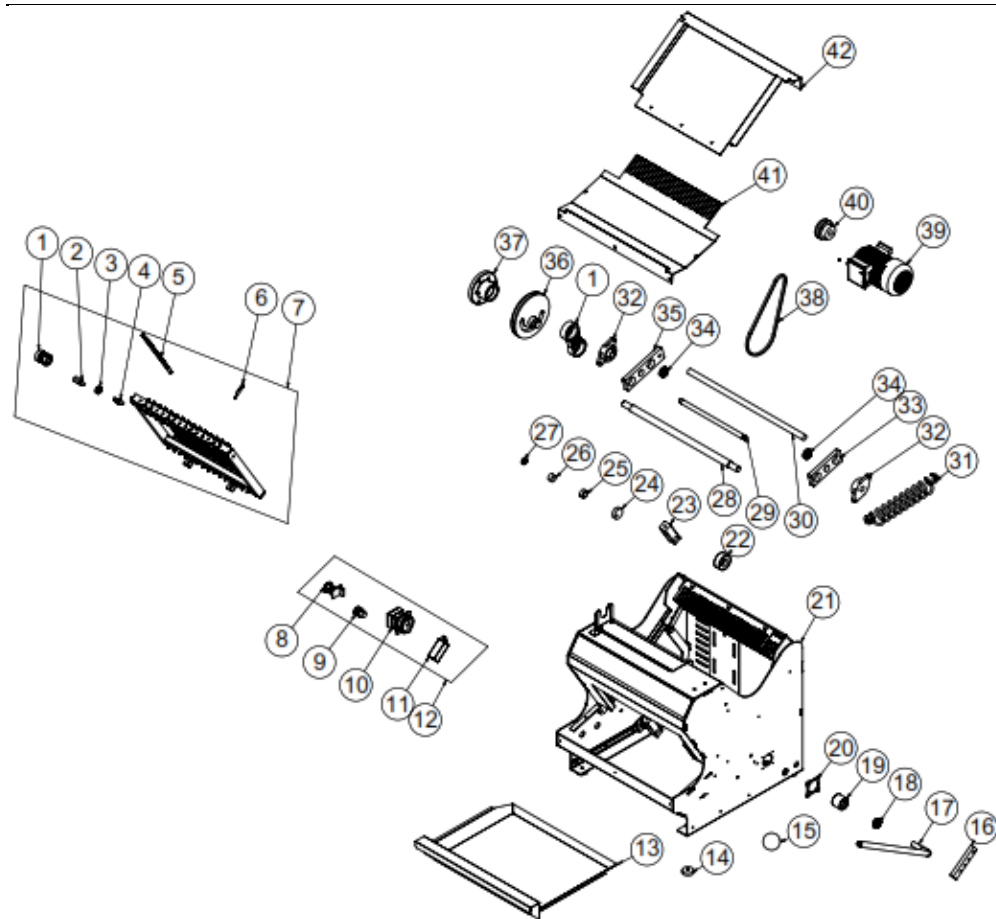
G SPARE PART LIST-EXPLODING DRAWING

PRODUCT CODE : 3001-10-13-16 3002

NO	PRODUCT NAME	P.CODE
1	L5K13M1P311 SWITCH	ERS.M.ELK-SWC-EMAS-001
2	SWITCH	M.ELK-SLT-MK-001
3	GREEN LED SIGNAL	M.ELK-LED-LMB-002
4	EMERGENCY STOP BUTTON	M.ELK-SLT-BTL-003
5	PANEL GROUP	M.ELK-KD-EDM-001
6	DRAWER FRAME	-
7	WHEEL	M.AKS-TKR-KN-002
8	ROLLER FOOT	ERS.M.AKS-AYK-RTL-001
9	CHASSIS	-
10	DRIVE ARM	YTL-ERS.EDM-KS-0008
11	HANDLE	ERS.M.AKS-KLP-BKL-009
12	TAPE	ARA-ERS.EDM-0016
13	SLICING KNIFE	M.BCK-BED-002
14	KNIFE TENSIONING SHEET	YSC-ERS.EDM-LZ-0027
15	FIXED PULLEY	YMH-ERS.EDM-FSM-0001
16	BEARING (6204 ZZ)	M.RLM-NRM-044
17	BIG PULLEY	YDK-ERS.EDM-CN-0001
18	DERLIN	HDM-KR-DRL-001
19	PRINTING SUPPORT ELEMENT	YTL-ERS.EDM-KS-0011
20	PRINTING APPARATUS	YTL-ERS.EDM-KS-0009
21	COMB PRINTING ARM SHEET	YSC-ERS.EDM-LZ-0124
22	GLASSES	YMH-ERS.EDM-FSM-0002
23	BEARING (6202 2RS)	M.RLM-NRM-003
24	PULLEY INTERMEDIATE ELEMENT	YTL-ERS.EDM-KS-0006
25	CLOSING LEFT SHEET	YSC-ERS.EDM-LZ-0001
26	PULLEY INTERMEDIATE ELEMENT	YTL-ERS.EDM-KS-0007
27	BEARING Ø20	ERS.M.RLM-YTK-003
28	ARM BUSH	YTL-ERS.EDM-KS-0002
29	ECCENTRIC LEFT PLATIN	M.PLTN-ERS-EDM-001
30	CONNECTION SCREW	YTL-ERS.EDM-KS-0012
31	ENGINE PLATE	YSC-ERS.EDM-LZ-0022
32	BELT PULLEY	YDK-ERS.EDM-CN-0003
33	ELECTRIC MOTOR	M.ELK-MTR-RSM-034
34	TYRE	M.MUH-088
35	TYRE	M.MUH-090
36	MIDDLE SHAFT	YTL-ERS.EDM-KS-0004
37	RIGHT LEFT SHAFT	YTL-ERS.EDM-KS-0003
38	ECCENTRIC RIGHT PLATINUM	M.PLTN-ERS-EDM-002
39	CLOSING RIGHT SHEET	YSC-ERS.EDM-LZ-0002
40	KNIFE OPERATING ELEMENT	YTL-ERS.EDM-KS-0001
41	UPPER REAR SHEET	YSC-ERS.EDM-LZ-0032
42	UPPER FRONT SHEET	YSC-ERS.EDM-LZ-0086

BREAD SLICER

G SPARE PART LIST-EXPLODING DRAWING



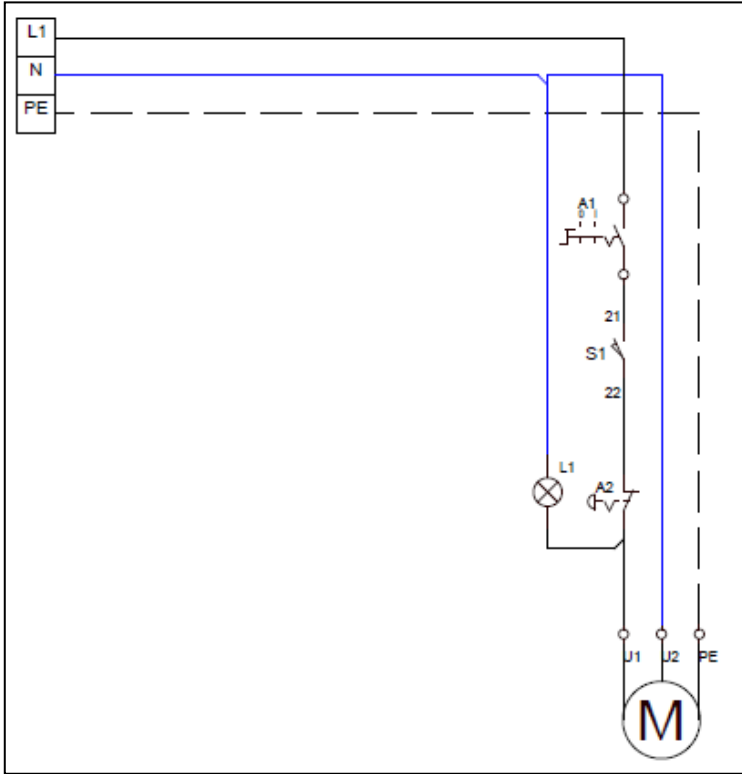
TBSME10/TBSME13

G SPARE PART LIST-EXPLODING DRAWING

PRODUCT CODE : TBSME10/TBSME13		
NO	PRODUCT NAME	P.CODE
1	GLASSES SMALL	YMH-ERS.EDM-FSM-0004
2	HANGER PIN	YTL-ERS.EDM-KS-0019
3	BEARING (6202 2RS)	M.RLM-NRM-003
4	FIXED PIN	YTL-ERS.EDM-KS-0018
5	SLICING KNIFE	M.BCK-BED-002
6	KNIFE TENSIONING SHEET	YSC-ERS.EDM-LZ-0027
7	TAPE	ARA-ERS.EDM-0010
8	EMERGENCY STOP BUTTON	M.ELK-SLT-BTL-003
9	GREEN LED SIGNAL	M.ELK-LED-LMB-002
10	SWITCH	M.ELK-SLT-MK-001
11	L5K13M1P311 SWITCH	ERS.M.ELK-SWC-EMAS-001
12	CABLE BASKET	M.ELK-KD-EDM-001
13	DRAWERSHEET	YSC-ERS.EDM-LZ-0067
14	FOOT	M.AKS-AYK-INX-004
15	SPHERE KNOB	M.AKS-KLP-BKL-024
16	DERLIN	HDM-KR-DRL-002
17	DRIVE ARM	YTL-ERS.EDM-KS-0017
18	BEARING (6003 ZZ)	M.RLM-NRM-004
19	ARM BUSH	YTL-ERS.EDM-KS-0021
20	BUSH CLOSING SHEET	YSC-ERS.EDM-LZ-0072
21	CHASSIS	-
22	SHAFT BUSHING	YTL-ERS.EDM-KS-0020
23	KNIFE OPERATING ELEMENT	YTL-ERS.EDM-KS-0015
24	BRAKE POLYAMIDE	YTL-ERS.EDM-KS-0025
25	PULLEY INTERMEDIATE ELEMENT	YTL-ERS.EDM-KS-0007
26	COMB SUPPORT POLYAMIDE	YTL-ERS.EDM-KS-0024
27	CARD POLYAMIDE	YTL-ERS.EDM-KS-0023
28	CENTER SHAFT	YTL-ERS.EDM-KS-0014
29	MOVEMENT SHAFT RIGHT-LEFT	YTL-ERS.EDM-KS-0013
30	HANDLE MOVEMENT SHAFT	YTL-ERS.EDM-KS-0016
31	HANDLE SPRING	M.YAY-ERS-039
32	BEARING Ø20	ERS.M.RLM-YTK-003
33	CLOSING RIGHT SHEET	YSC-ERS.EDM-LZ-0002
34	BEARING (6004 ZZ)	M.RLM-NRM-018
35	CLOSING LEFT SHEET	YSC-ERS.EDM-LZ-0001
36	BIG PULLEY	YDK-ERS.EDM-CN-0001
37	FIXED PULLEY	YMH-ERS.EDM-FSM-0003
38	STRAP (13*700)	M.KYS-VKY-017
39	ELECTRIC MOTOR	M.ELK-MTR-RSM-034
40	BELT PULLEY	YDK-ERS.EDM-CN-0003
41	FRONT COMB	YSC-ERS.EDM-LZ-0069
42	FRONT COMB	YSC-ERS.EDM-LZ-0070

BREAD SLICER

H ELECTRIC CIRCUIT SCHEMA



PRODUCT CODE	KW	RPM	VOLTAGE
3001	0,37	1400	220
3002	0,37	1400	220
TBSME10/TBSME13	0,37	1400	220

A1	A2	M	S1	L1
(0-1) Monophase PAKO Switch	URGENT STOP	Motor	Mechanic Switch	Signal Lamp