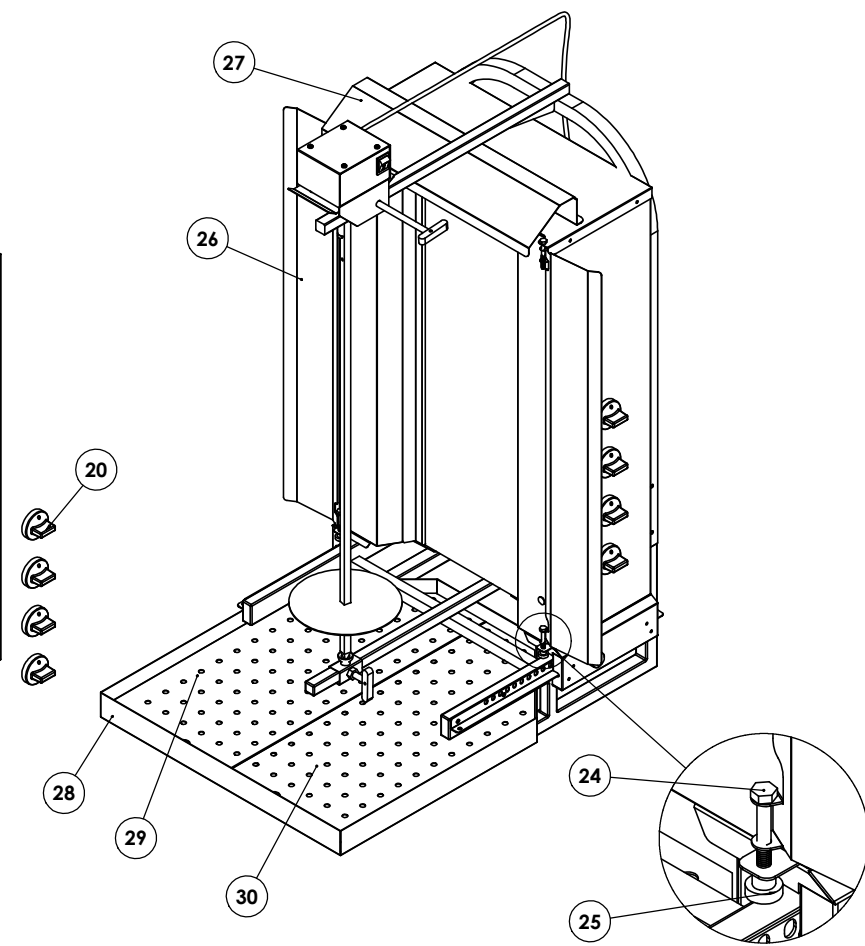
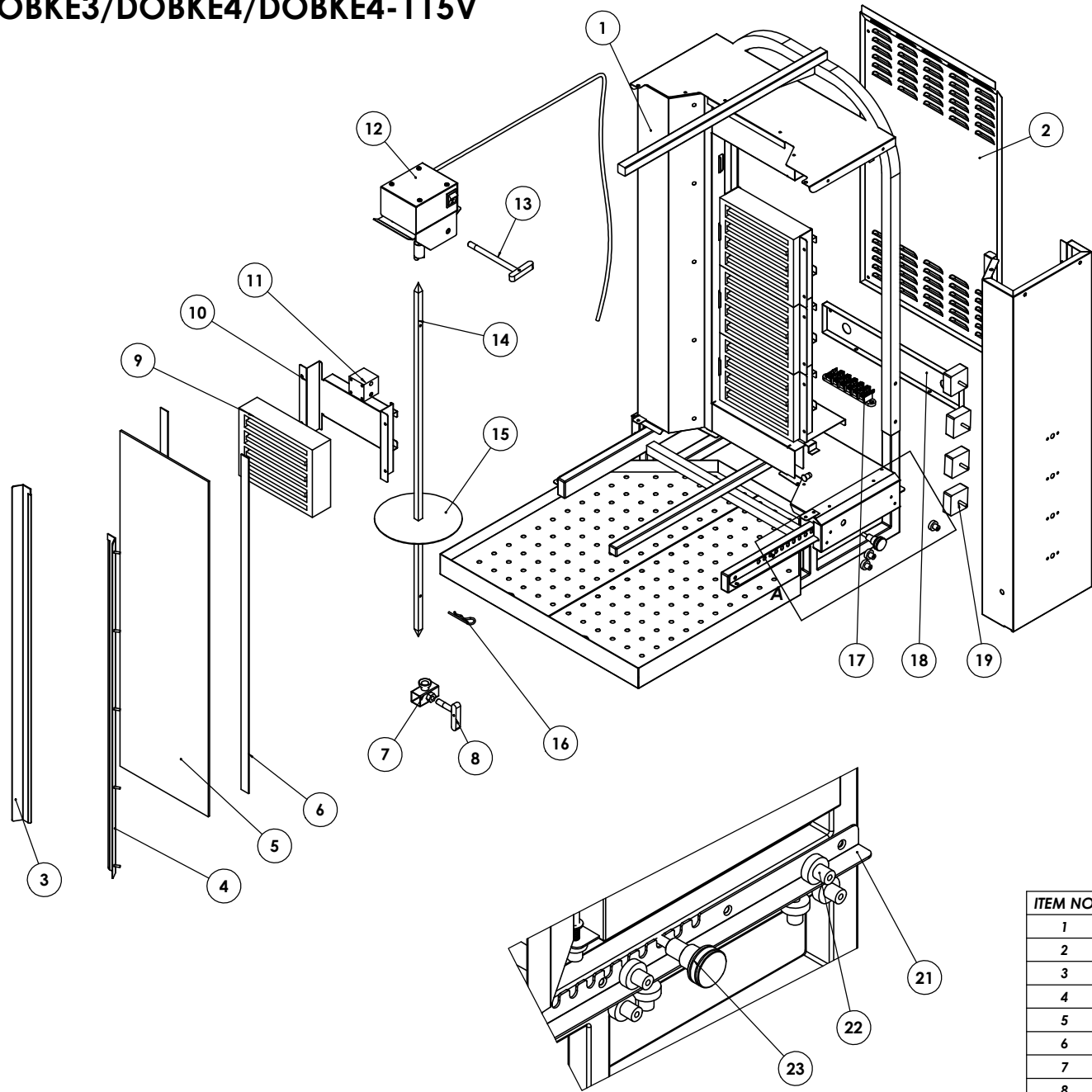


# DOBKE3/DOBKE4/DOBKE4-115V



ITEM NO	PART NAME	NUMBER
1	BODY	1
2	BACK COVER	1
3	LEFT GLASS HOLDER	3
4	RIGHT GLASS HOLDER	4
5	GLASS	1
6	PIPING	1
7	SKEWER FIXING MACHANISM	1
8	BOTTOM SKEWER FIXING PIM	1
9	BURNER	4
10	BURNER HOLDER PART	4
11	BURNER TERMINALS	4
12	MOTOR	1
13	TOP SKEWER FIXING PIM	4
14	SKEWER	1
15	SKEWER PLATE	1
16	SKEWER FIXING PIN	1

ITEM NO	PART NAME	NUMBER
17	MAIN TERMINALS	1
18	CABLE OUTPUT SHEET	1
19	ENERGY REGULATOR	4
20	KNOB	4
21	MOTION SETTING PART LEFT/RIGHT	1
22	SCREW	8
23	MOVEMENT PIN	1
24	WIND WINGS SCREW	4
25	NUTS	2
26	APRON	2
27	PADDLE BOX	1
28	TRAY	1
29	LEFT STRAINER	1
30	RIGHT STRAINER	1