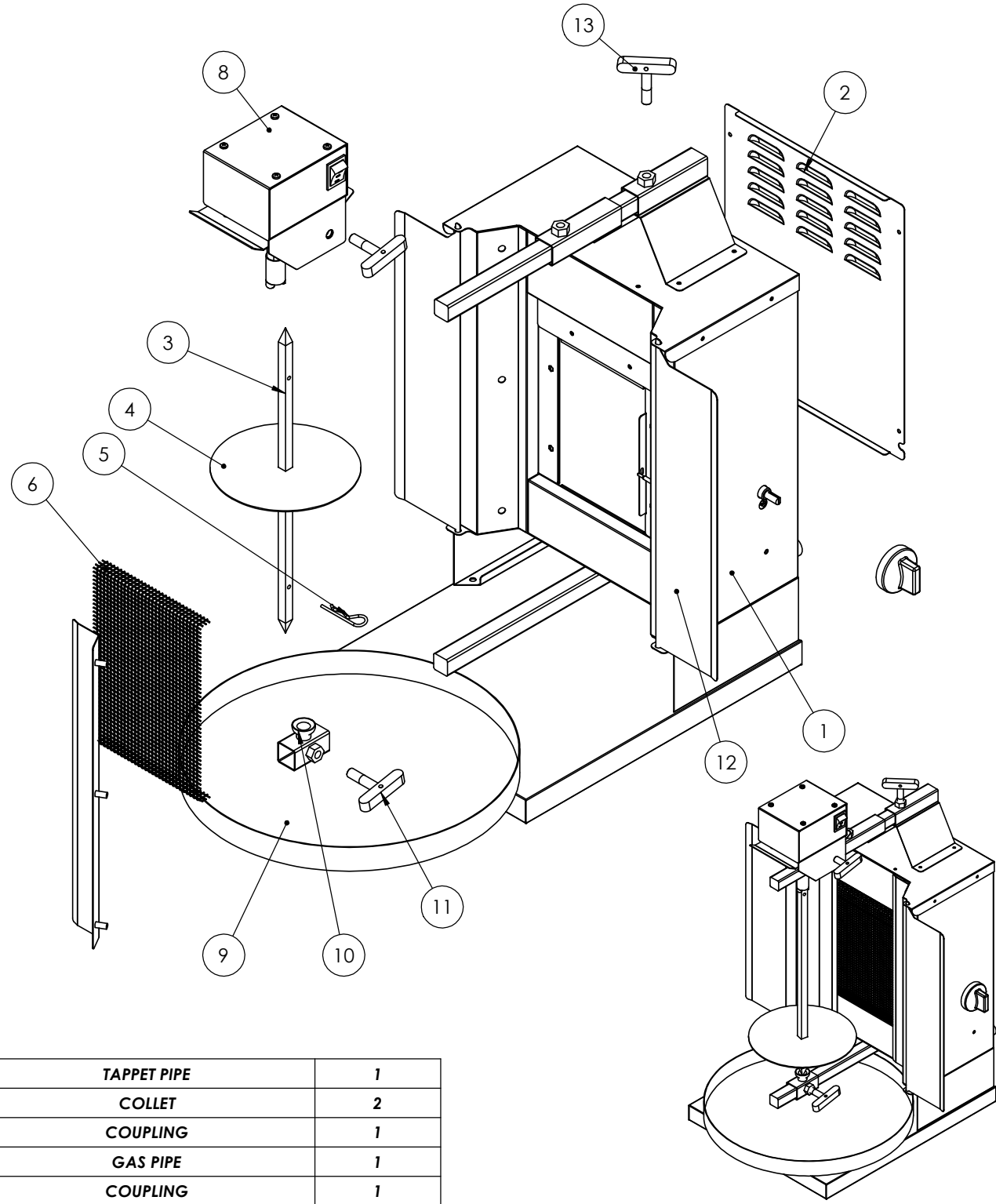
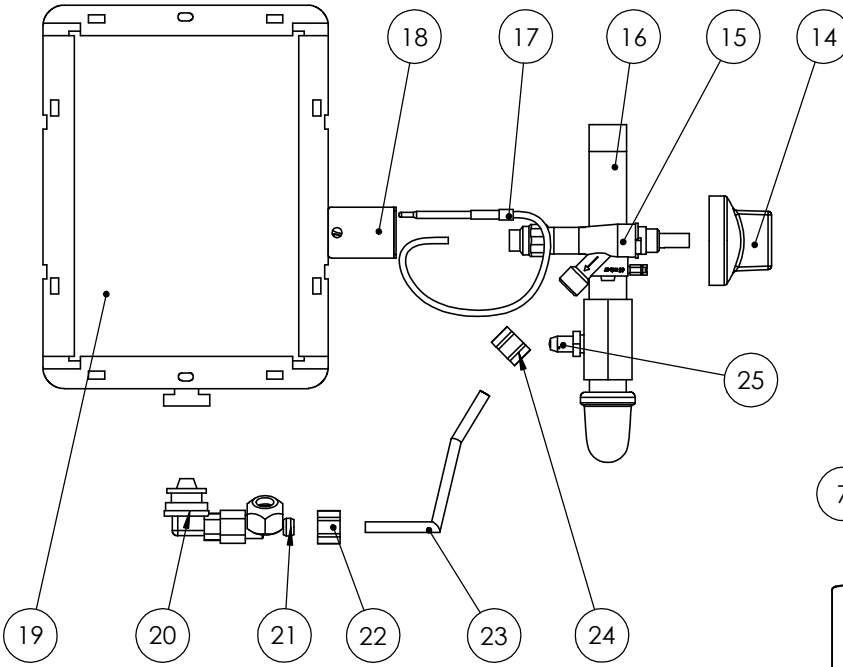


DOK1/DOK1-115V



ITEM NO	PART NAME	NUMBER
1	BODY	1
2	BACK COVER	1
3	SKEWER	1
4	SKEWER PLATE	1
5	PIN	1
6	BURNER WIRE	1
7	FRONT MOULDING	2
8	MOTOR	1
9	TRAY	1
10	SKEWER FIXING KIT	1
11	KIT HOLDER	2
12	WINGS	2
13	KIT HOLDER	1
14	KNOB	1
15	VALVE	1
16	GAS COLLECTOR	1
17	THERMOCUPL	1
18	THERMOCUPL CONN. PLATE	1
19	BURNER	1

20	TAPPET PIPE	1
21	COLLET	2
22	COUPLING	1
23	GAS PIPE	1
24	COUPLING	1
25	TEST NIPLE	1