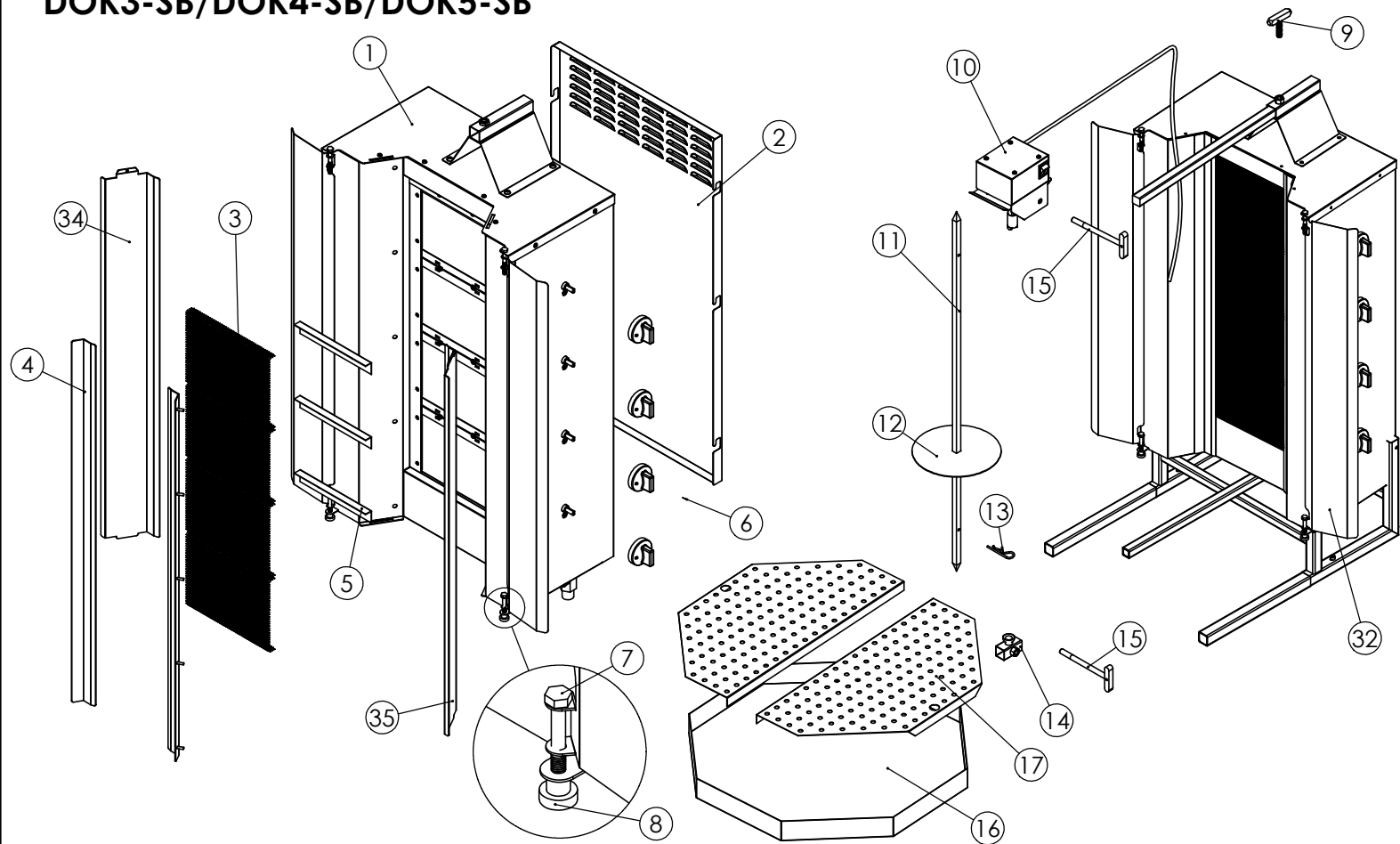
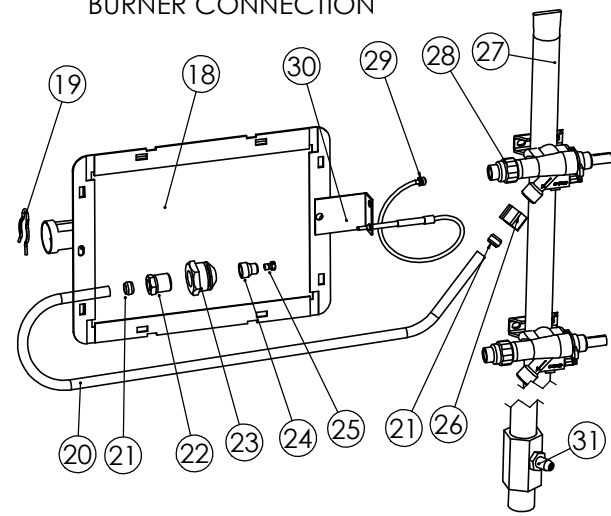


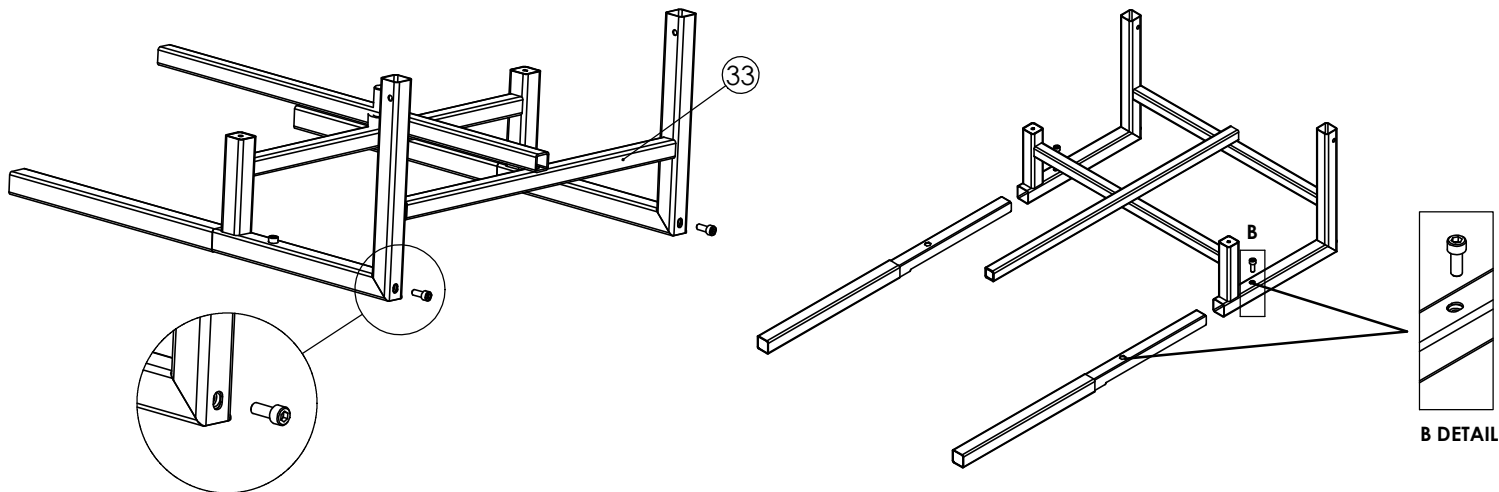
DOK3-SB/DOK4-SB/DOK5-SB



BURNER CONNECTION



PROFILE CONNECTION DETAILS



ITEM NO	PART NAME	NUMBER
1	BODY	1
2	BACK COVER	1
3	BURNER WIRE	4
4	SIDE BARS	2
5	BURNER STANDS	3
6	KNOB	4
7	WIND WINGS SCREW	4
8	NUTS	2
9	UPPER PROFILE FIXING PIN	1
10	MOTOR	1
11	SKEWER	1
12	SKEWER PLATE	1
13	SKEWER PIN	1
14	SKEWER FIXING MECHANISM	1
15	SKEWER FIXING PIN	2
16	TRAY	1
17	STRAINER	2
18	BURNER	4
19	STABILISING RING	4
20	GAS PIPE	4
21	CONNECTION COLLET	8
22	GAS PIPE FIXER	4
23	GAS PIPE CONNECTION RING	4
24	GAS PIPE BEARINGS	4
25	INJECTOR	4
26	GAS PIPE CONNECTOR	4
27	GAS COLLECTOR	1
28	GAS VALVE	4
29	THERMOCUPL	4
30	THERMOCUPL CONNECTION PLATE	4
31	TEST NIPLE	1
32	APRON	2
33	BODY CHASSIS	1
34	LEFT COVER PLATE	1
35	RIGHT COVER PLATE	1