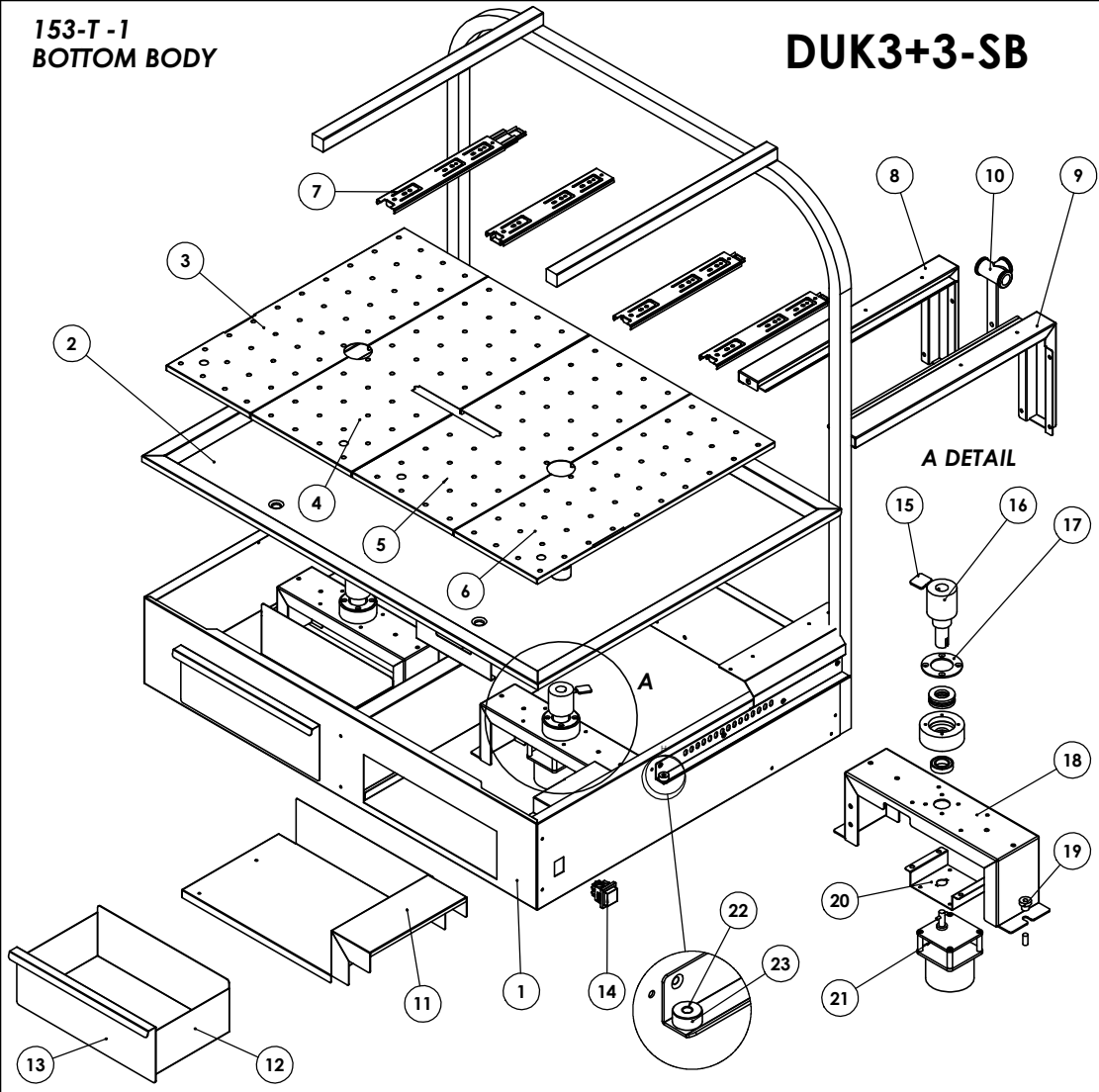
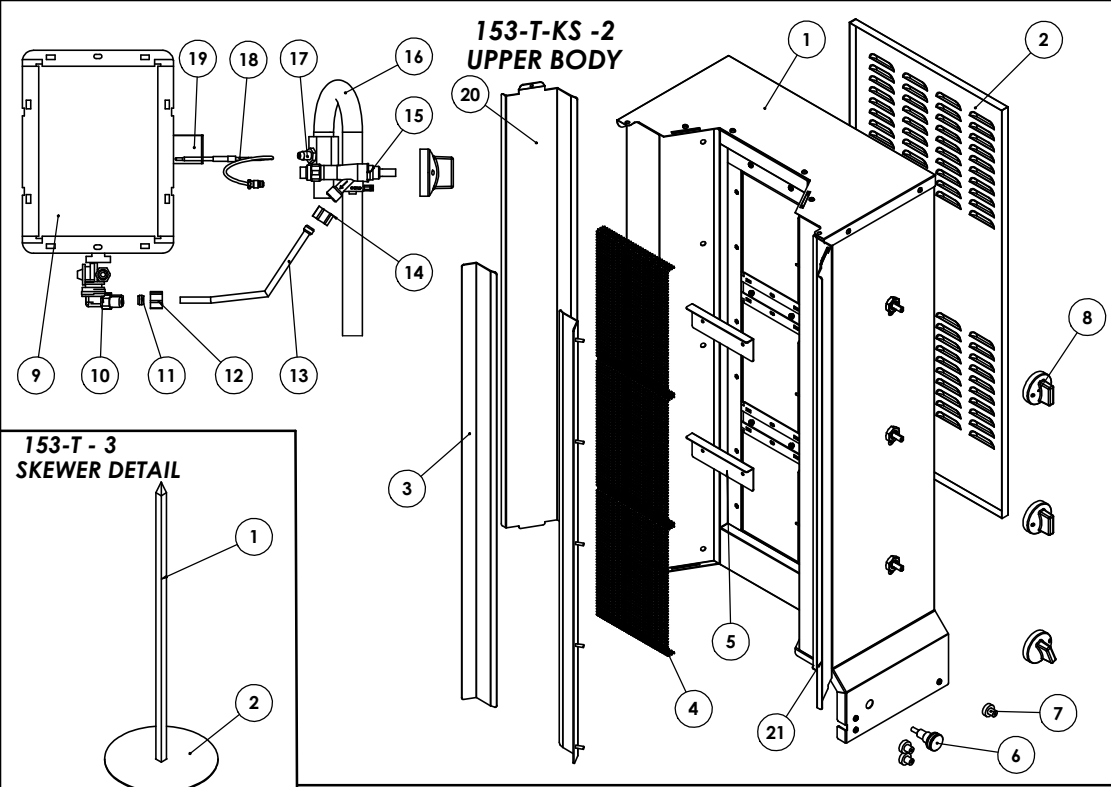


**153-T-1
BOTTOM BODY**

DUK3+3-SB



**153-T-KS-2
UPPER BODY**



153 T - 2 UPPER BODY

ITEM NO	PART NAME	NUMBER
153 T-2-1	BODY	2
153 T-2-2	BACK COVER	2
153 T-2-3	FRONT MouldING	4
153 T-2-4	BURNER WIRE	6
153 T-2-5	BURNER STANDS	2
153 T-2-6	MEVEMENT PIN	2
153 T-2-7	ROLLER	12
153 T-2-8	KNOB	6
153 T-2-9	BURNER	6
153 T-2-10	TAPPET PIPE	6
153 T-2-11	COLLET	12
153 T-2-12	COUPLING	6
153 T-2-13	GAS PIPE	6
153 T-2-14	GAS COUPLING	6
153 T-2-15	VALVE	6
153 T-2-16	GAS COLLECTOR	2
153 T-2-17	TEST NIPLE	2
153 T-2-18	THERMOCPUL	6
153 T-2-19	THERMOCUPL CONN. PLATE	6
153 T-2-20	LEFT COVER PLATE	1
153 T-2-21	RIGHT COVER PLATE	1

153 T - 1 BOTTOM BODY

ITEM NO	PART NAME	NUMBER	153 T-1-12	DRAWER BODY	2
153 T-1-1	BODY	1	153 T-1-13	DRAWER	2
153 T-1-2	TRAY	1	153 T-1-14	ON / OFF SWICH	1
153 T-1-3	STRAINER -1	1	153 T-1-15	SKEWER FIXING PIN	2
153 T-1-4	STRAINER -2	1	153 T-1-16	BOTTOM SKEWER HOLDER	2
153 T-1-5	STRAINER -3	1	153 T-1-17	BEARING COVER	2
153 T-1-6	STRAINER -4	1	153 T-1-18	BEARING PLATE	2
153 T-1-7	RAIL	4	153 T-1-19	SCREW NUT	4
153 T-1-8	LEFT RAIL PLATE	1	153 T-1-20	MOTOR HOLDER	2
153 T-1-9	RIGHT RAIL PLATE	1	153 T-1-21	MOTOR	2
153 T-1-10	T CONNECTION PIPE	1	153 T-1-22	STOPPER PIN	2
153 T-1-11	CABLE COVER	2	153 T-1-23	PLASTIC STOPPER	2

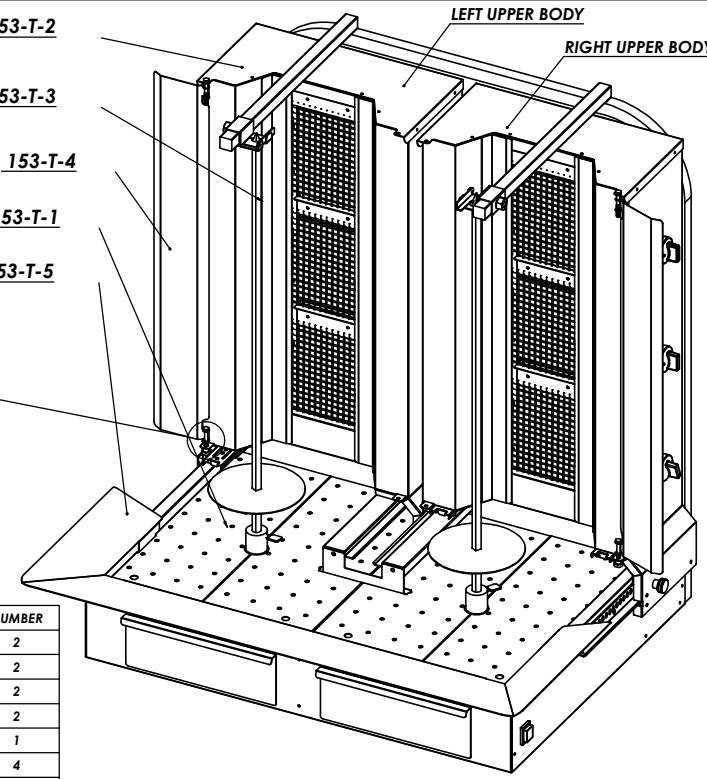
153-T-2

153-T-3

153-T-4

153-T-1

153-T-5



**153 T - 3, 153 T - 4, 153 T - 5
- 153 T - 6, 153 T - 7**

ITEM NO	PART NAME	NUMBER
153 T-3-1	SKEWER	2
153 T-3-2	SKEWER PLATE	2
153 T-3-3	PIN	2
153 T-4	APRON	2
153 T-5	EXPANSION PARK	1
153 T-6	APRON SCREW	4
153 T-5	SCREW NUT	2