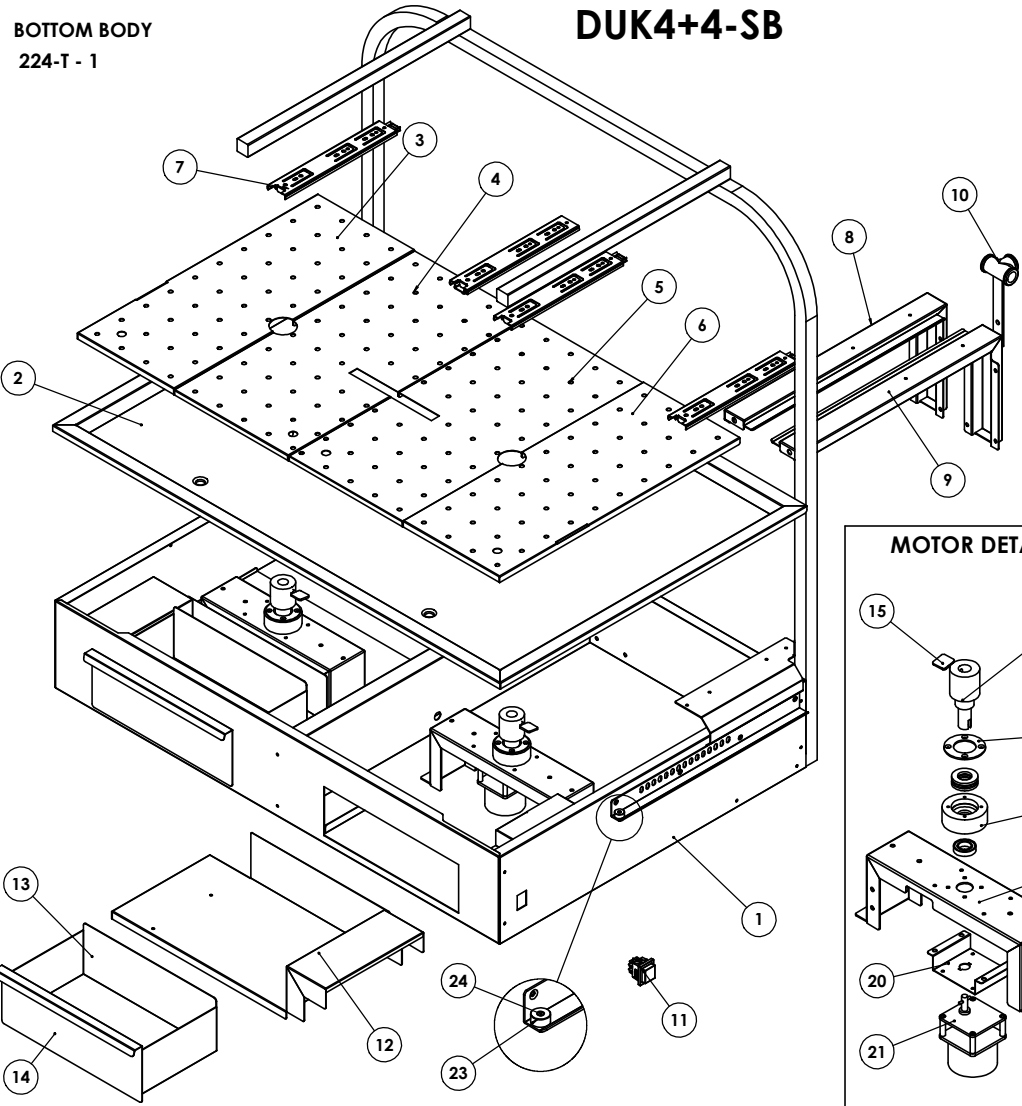
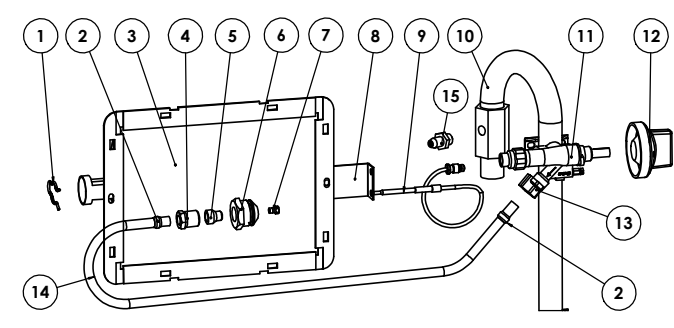


BOTTOM BODY
224-T - 1

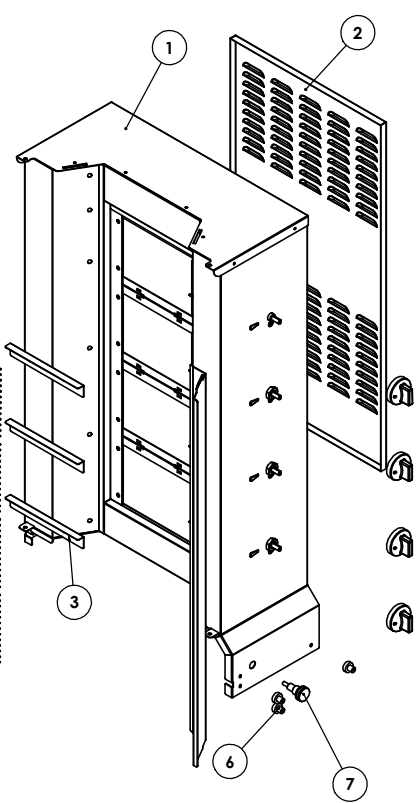
DUK4+4-SB



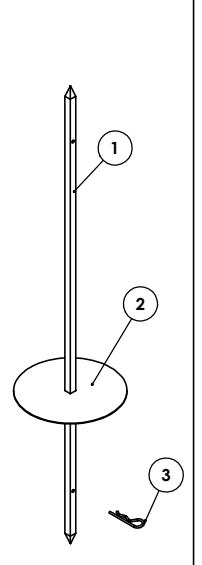
BURNER DETAIL 224-T-3



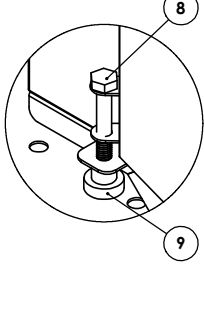
UPPER BODY (RIGHT)
224-T-KS - 2



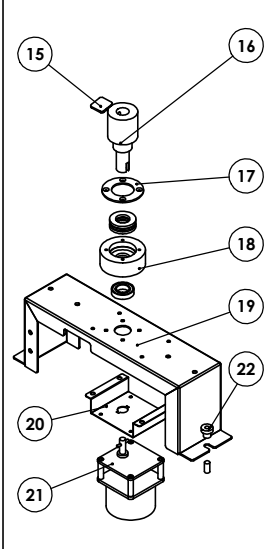
SKEWER DETAIL
224-T-4



B DETAIL



MOTOR DETAIL



224 T-4 , 224 T-5 , 224 T-6

ITEM NO	PART NAME	NUMBER
T4-1	SKEWER	2
T4-2	SKEWER PLATE	2
T4-3	PIN	2
T5-1	WINGS	2
T6-1	EXPANSION PARK	1

BURNER DETAIL 224-T - 3

ITEM NO	PART NAME	NUMBER
T3-1	STABILISING RING	8
T3-2	CONNECTION COLLET	16
T3-3	BURNER	8
T3-4	GAS PIPE FIXER	8
T3-5	PIPE CONNECTOR	8
T3-6	GAS PIPE CONN. RING	8
T3-7	INJECTOR	8
T3-8	THERMOCUPL CONN.PLATE	8
T3-9	THERMOCUPL	8
T3-10	GAS COLLECTOR	2
T3-11	VALVE	8
T3-12	KNOB	8
T3-13	GAS PIPE CONNECTION	8
T3-14	GAS PIPE	8
T3-15	TEST NIPL	1

UPPER BODY 224-T - 2

ITEM NO	PART NAME	NUMBER
T2-1	BODY	2
T2-2	BACK COVER	2
T2-3	BURNER STANDS	6
T2-4	BURNER WIRE	8
T2-5	SIDE BARS	4
T2-6	SCREW	10
T2-7	MOVEMENT PIN	2
T2-8	WIND WINGS SCREW	4
T2-9	NUTS	2
T2-10	LEFT COVER PLATE	1
T2-11	RIGHT COVER PLATE	1

BOTTOM BODY 224-T - 1

ITEM NO	PART NAME	NUMBER
T1-1	BODY	1
T1-2	TRAY	1
T1-3	STRAINER - 1	1
T1-4	STRAINER - 2	1
T1-5	STRAINER - 3	1
T1-6	STRAINER - 4	1
T1-7	RAIL	4
T1-8	LEFT RAIL PLATE	1
T1-9	RIGHT RAIL PLATE	1
T1-10	T CONNECTION PIPE	1
T1-11	ON / OFF BUTON	1
T1-12	CABLE COVER	2
T1-13	DRAWER BODY	2
T1-14	DRAWER	2
T1-15	SKEWER FIXING PIN	2
T1-16	BOTTOM SKEWER HOLDER	2
T1-17	BEARING COVER	2
T1-18	BEARING GROUP	2
T1-19	BEARING HOLDER	2
T1-20	MOTOR HOLDER	2
T1-21	MOTOR	2
T1-22	SCREW NUT	4
T1-23	PLASTIC STOPPER	2
T1-24	STOPPER PIN	2

