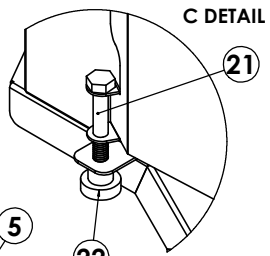
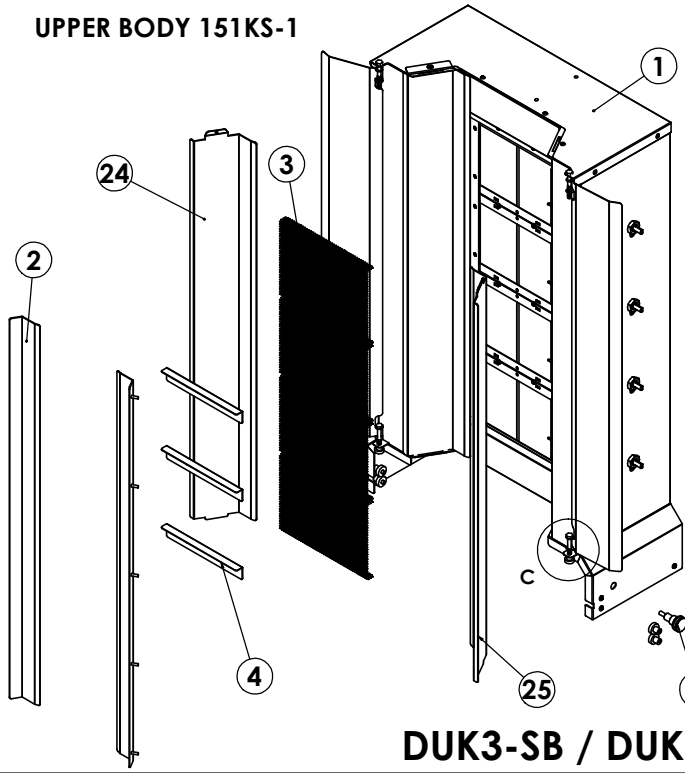
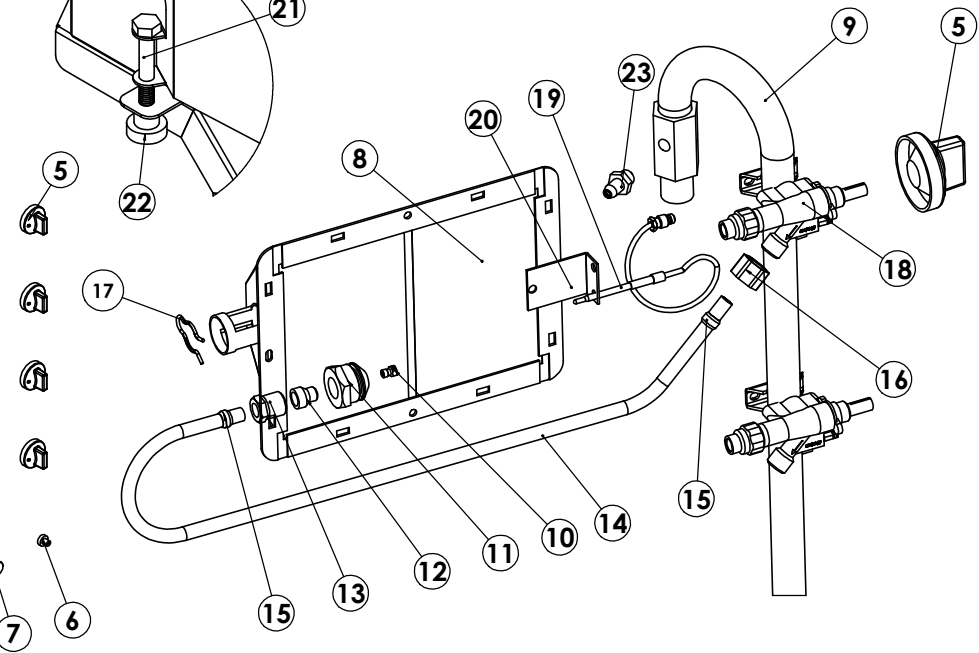


UPPER BODY 151KS-1



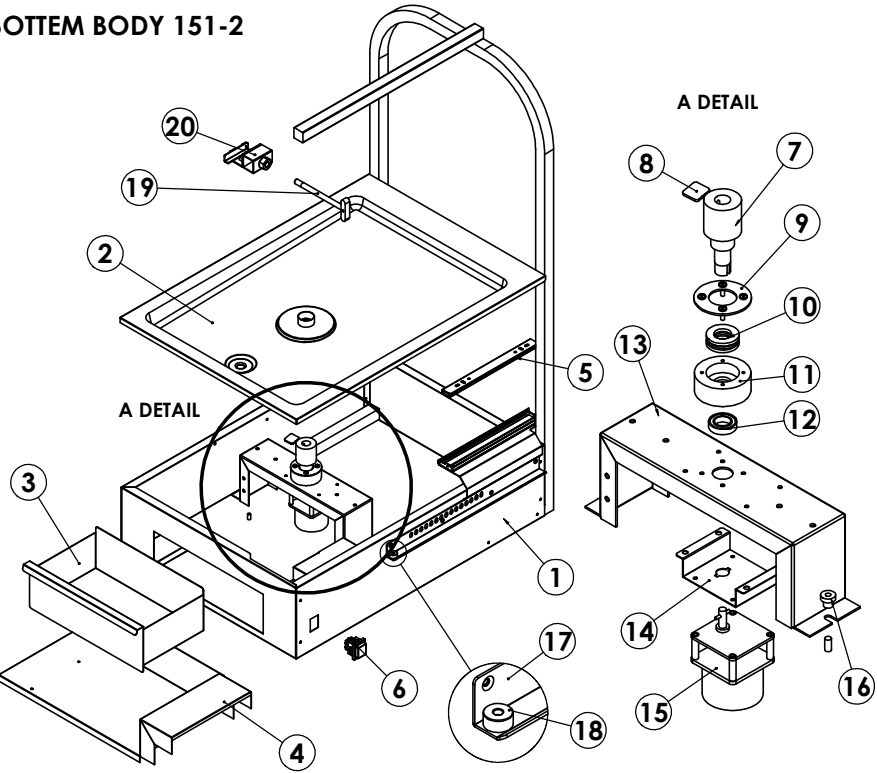
BURNER & GAS CONNECTION DETAIL



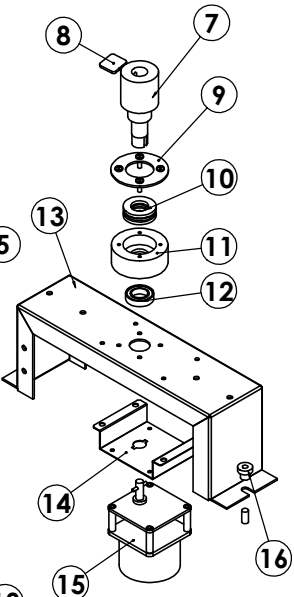
ITEM NO	PART NAME	NUMBER
151KS-1 - 1	BODY	1
151KS-1 - 2	FRONT MOULDING	2
151KS-1 - 3	BURNER WIRE	4
151KS-1 - 4	BURNER HOLDER	3
151KS-1 - 5	KNOB	4
151KS-1 - 6	SCREW	6
151KS-1 - 7	MOVEMENT PIN	1
151KS-1 - 8	BURNER	4
151KS-1 - 9	GAS COLLECTOR	1
151KS-1 - 10	INJEKTOR	4
151KS-1 - 11	CONNECTION PIPE	4
151KS-1 - 12	PIPE CONNECTOR	4
151KS-1 - 13	PIPE FIXER	4
151KS-1 - 14	GAS PIPE	4
151KS-1 - 15	COLLET	8
151KS-1 - 16	COUPLING	4
151KS-1 - 17	STABILISING RING	4
151KS-1 - 18	VALVE	4
151KS-1 - 19	THERMOCUPL	4
151KS-1 - 20	THERMOCUPL CONN. PLATE	4
151KS-1 - 21	WING SCREW	4
151KS-1 - 22	SCREW NUT	4
151KS-1 - 23	TEST NIPLE	1
151KS-1 - 24	LEFT COVER PLATE	1
151KS-1 - 25	RIGHT COVER PLATE	1

DUK3-SB / DUK4-SB / DUK5-SB / DUK6-SB / DUK4-FR-SB / DUK4-EN-SB

BOTTEM BODY 151-2

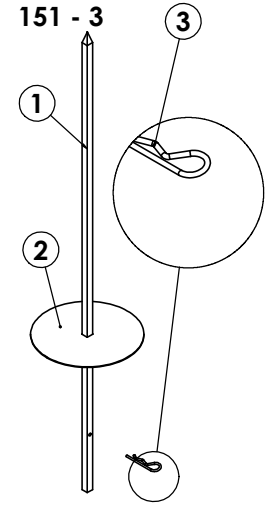


A DETAIL

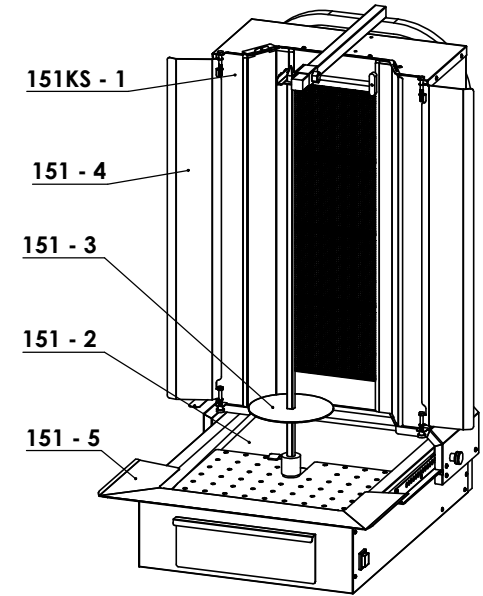


ITEM NO	PART NAME	NUMBER
151-2 - 1	BODY	1
151-2 - 2	TRAY	1
151-2 - 3	OIL DRAWER	1
151-2 - 4	CABLE COVER PLATE	1
151-2 - 5	RAIL	1
151-2 - 6	ON / OFF BUTTON	2
151-2 - 7	BOTTOM SKEWER HOLDER	1
151-2 - 8	SKEWER FIXING PIN	1
151-2 - 9	BEARING COVER	1
151-2 - 10	THRUST BEARING 51203	1
151-2 - 11	BEARING ROUND	1
151-2 - 12	RADIAL BALL BEARING 6903Z	1
151-2 - 13	BEARING CONNECTION SHEET	1
151-2 - 14	MOTOR HOLDER	1
151-2 - 15	MOTOR	1
151-2 - 16	SCREW NUT	2
151-2 - 17	MOTION SETTING PART LEFT / RIGHT	2
151-2 - 18	PLASTIC STOPPER	2
151-2 - 19	MECHANISM OF TOP LOCK	1
151-2 - 20	CLAMP LEVER	1

SKEWER DETAIL 151 - 3



ITEM NO	PART NAME	NUMBER
151-3 - 1	SKEWER	1
151-3 - 2	SKEWER PLATE	1
151-3 - 3	PIN	1



ITEM NO	PART NAME	NUMBER
151KS-1	HEATING BODY	1
151-2	LOWER CASE	1
151-3	SKEWER GROUP	1
151-4	APRON	2
151-5	EXPANSION PART	1