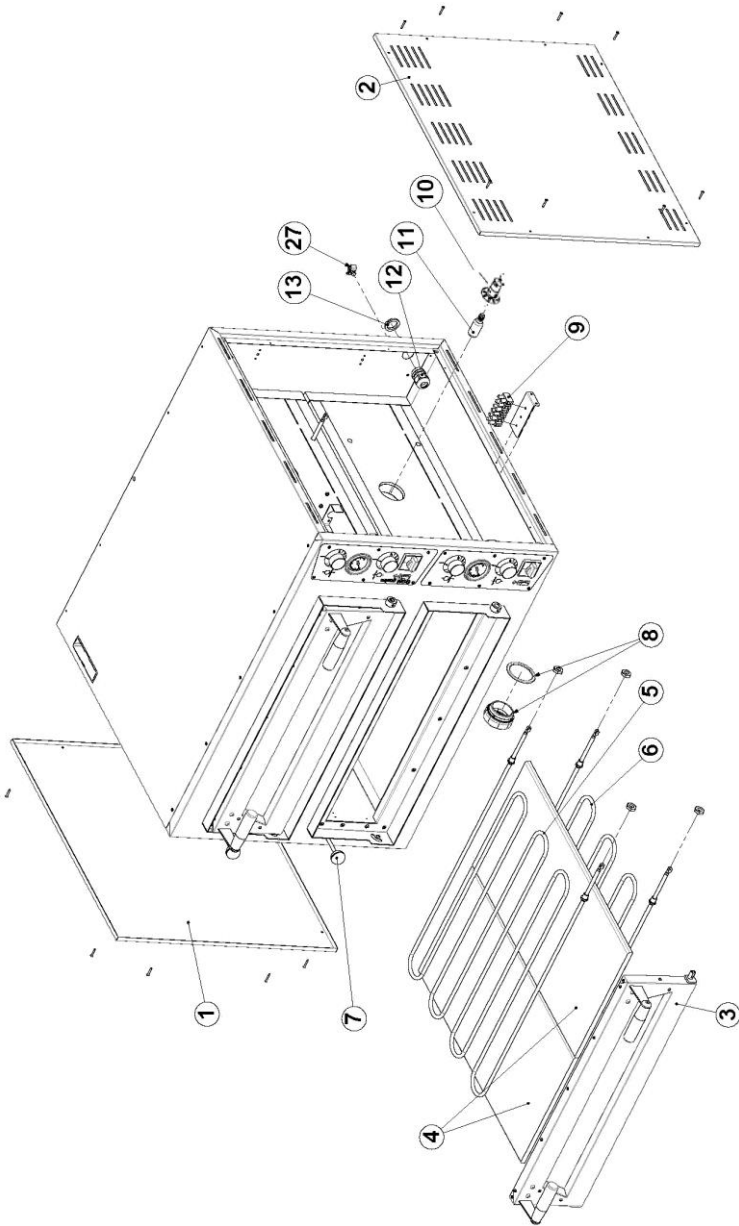
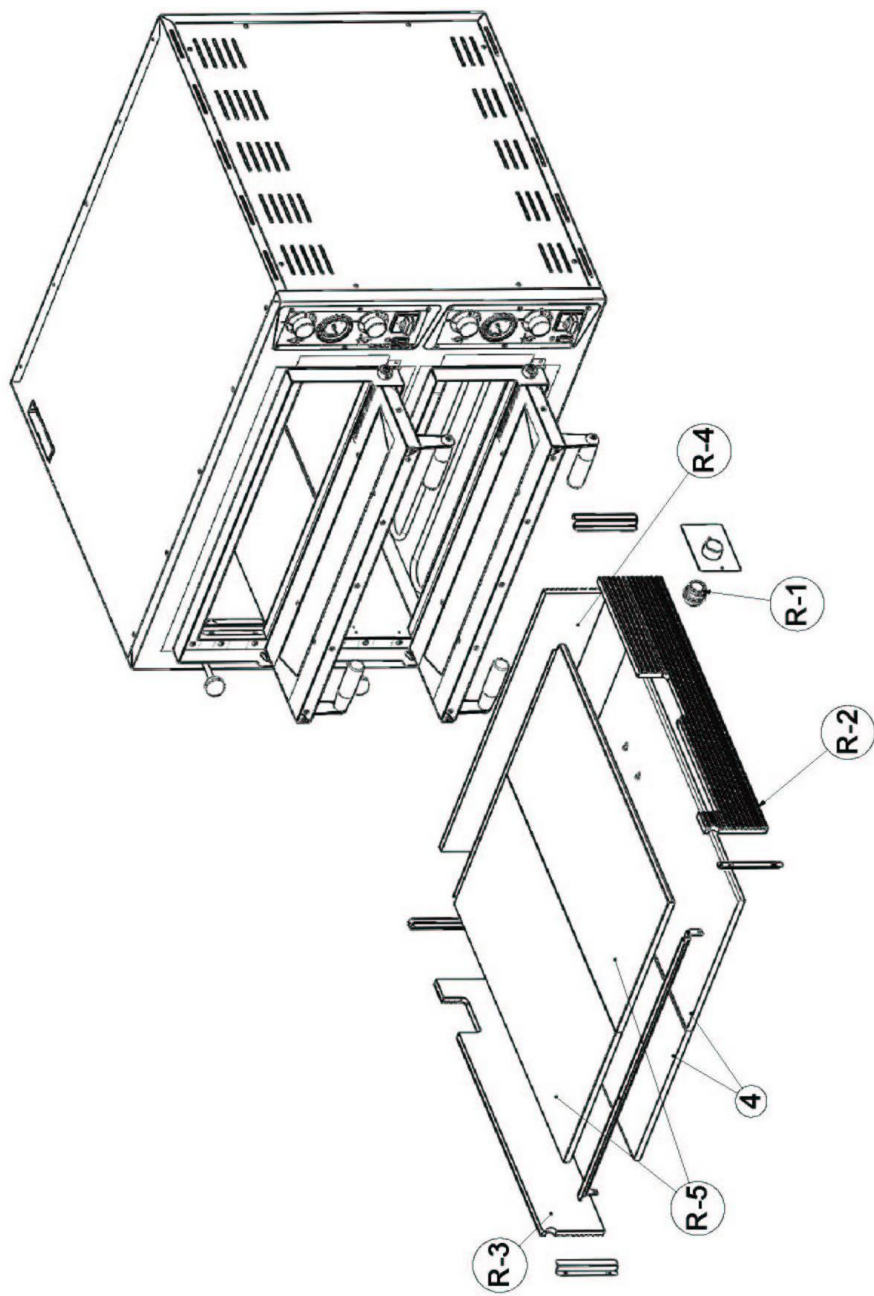
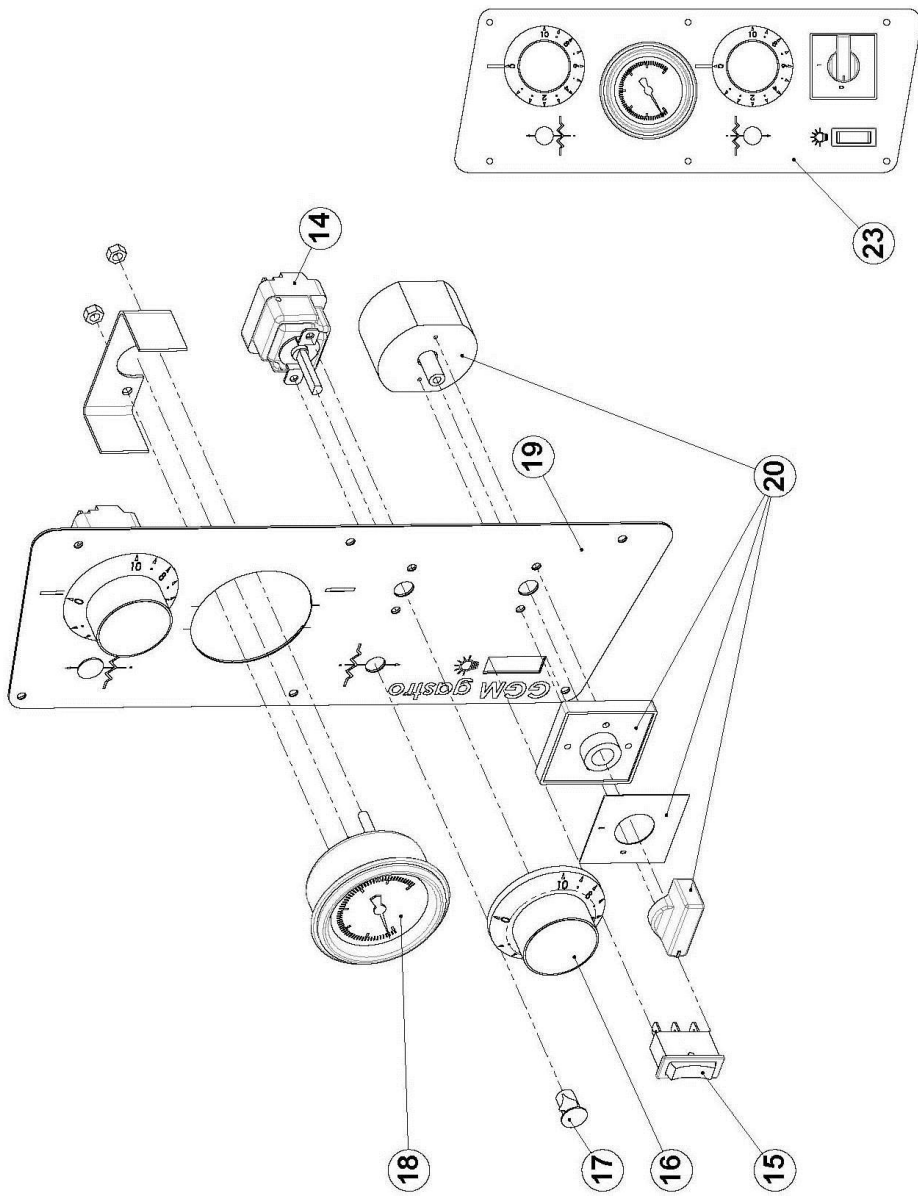
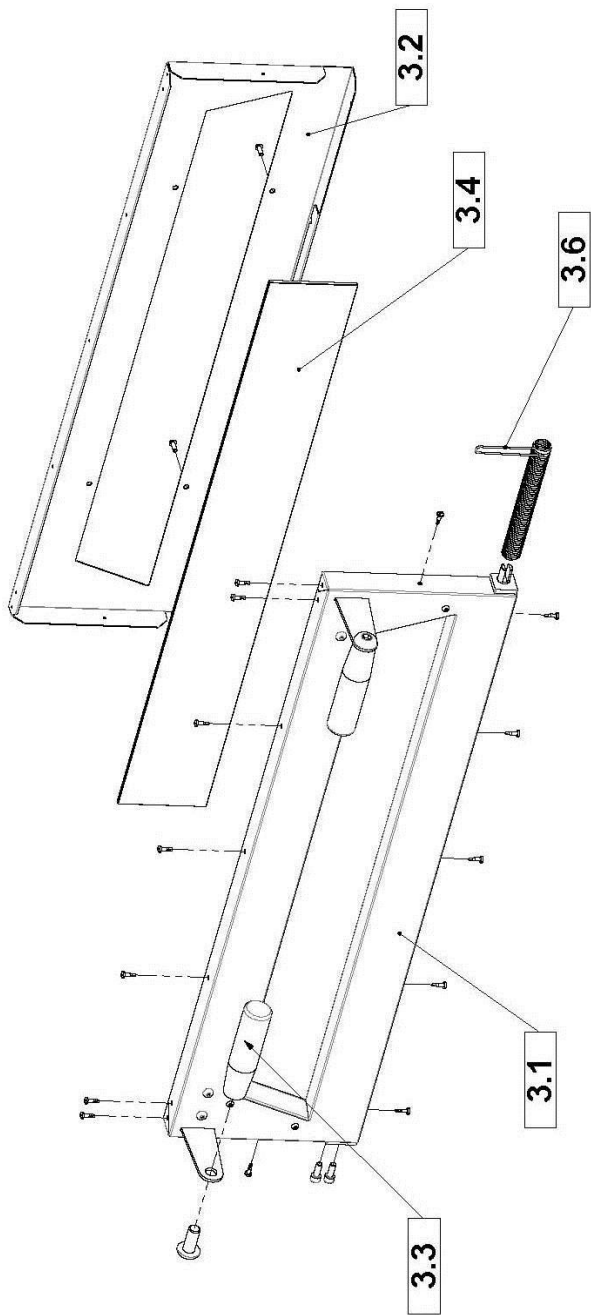


# EXPLODED VIEW AND SPARE PARTS LIST









**PDP66B code P07EN10047**

<b>Pos.</b>	<b>Code</b>	<b>Description</b>
1	S40FN55037	Entry LH side panel 8-12L MAX
2	S40FN55029	Entry RH side panel 8-12L MAX
3	S35FN55045	Entry complete door 6L÷9÷12L÷18 MAX
3.1	S66PT55019	Entry door assembly 6L÷9÷12L÷18 MAX
3.2	S66CG55013	Counterdoor assembly 6L÷9÷12L÷18 MAX
3.3	A90MI65003	Elesa handle I 280/115 M12
3.4	A00PT59001	Entry glass ceramic plate 4-6-8-12
3.6	A86ME30004	Entry oven door spring 6L÷9÷12L÷18
4	A95OO65008	Refractory stone 350x700x14
5	A87RZ65010	Heating element 900 W 230 V
6	A87RZ65007	Heating element 750 W 230 V
7	A90MP65001	Spheric knob PLX.30-M8-C9
8	A87IL74003	Round lamp glass BJB 77.360.002.00
9	A87CX62006	Mammut assembly
10	A87IL73004	Lamp holder Vossloh Schwabe E14 Type
11	A87IL72010	Incandescent lamp 40W 230V E14
12	A86EL46004	Cable gland OBO 106 PG 21
13	A86EL47003	Nut for cable gland OBO 106 PG 11
14	A88TX85003	Threephases thermostat Tmax=450°
15	A87AZ69006	Red single-pole switch
16	S73FN55008	Thermostat knob AP10 scale 0-10
17	A87IL72005	Warning light lamp 380 V
18	A88TC83001	Analogue thermometer 0-500°C
19	A93OL65049	Entry Max GGM control label upper
20	A87AZ69004	Four-pole switch 16A
23	A93OL65048	Entry Max GGM control label lower
27	A86EL48001	Equipotential connection

<b>OPTIONAL-Tutto refrattario</b>		
R-1	A87IL74006	Dome-form lamp glass
R-2	S41CM61007	Refractory stone RH Entry MAX 4-6L-8-12L
R-3	S41CM61008	Refractory stone LH Entry MAX 4-6L-8-12L
R-4	S41CM61006	Back Refractory stone Prime 6L-9
R-5	A95OO65008	Refractory stone 350x700x14