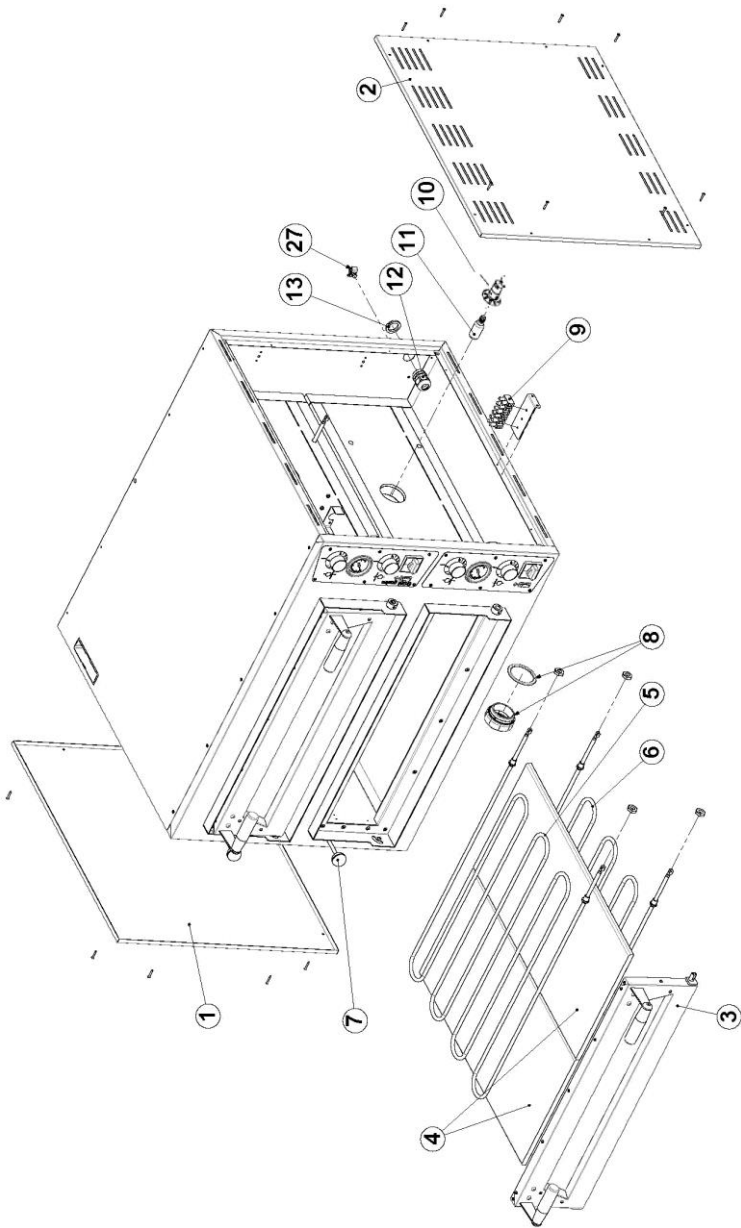
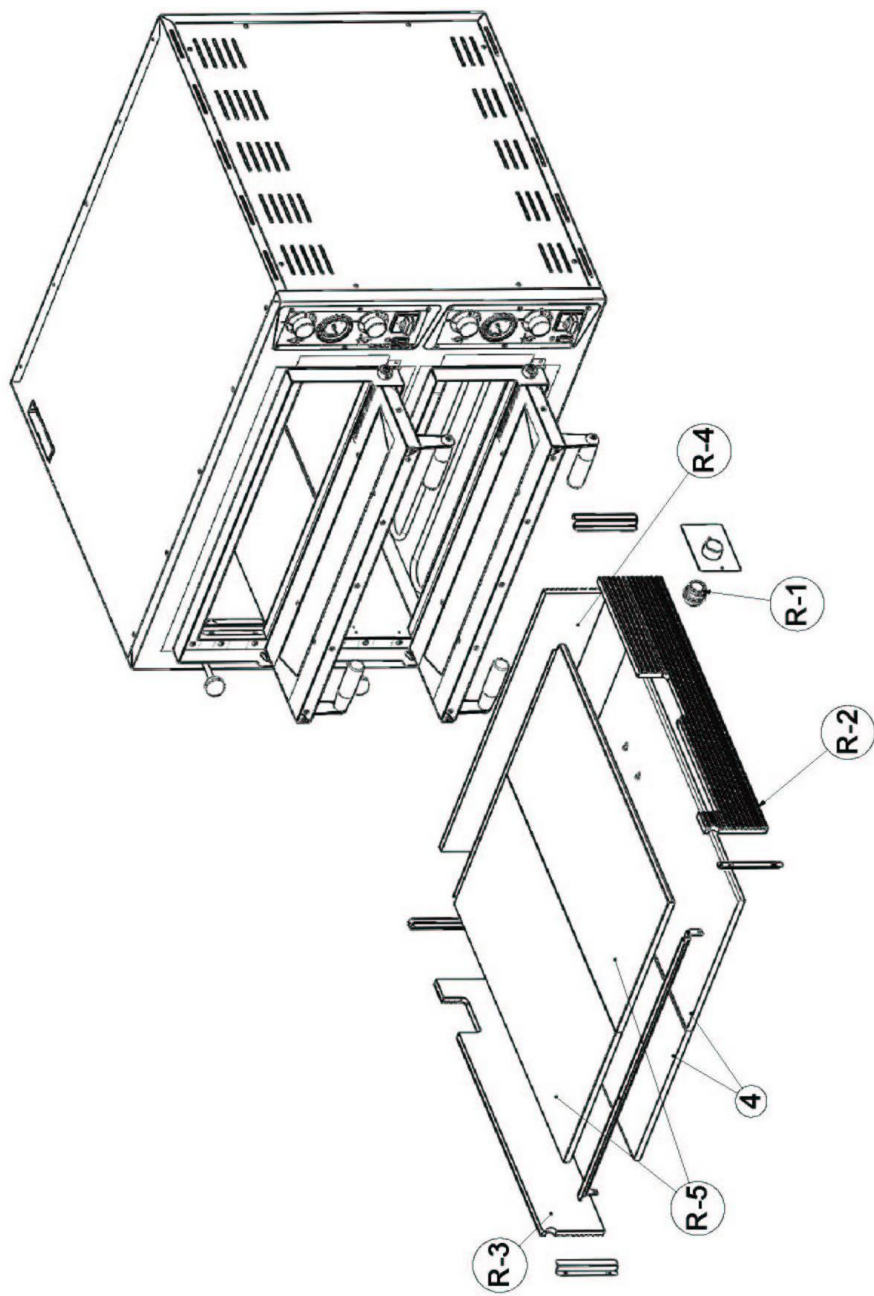
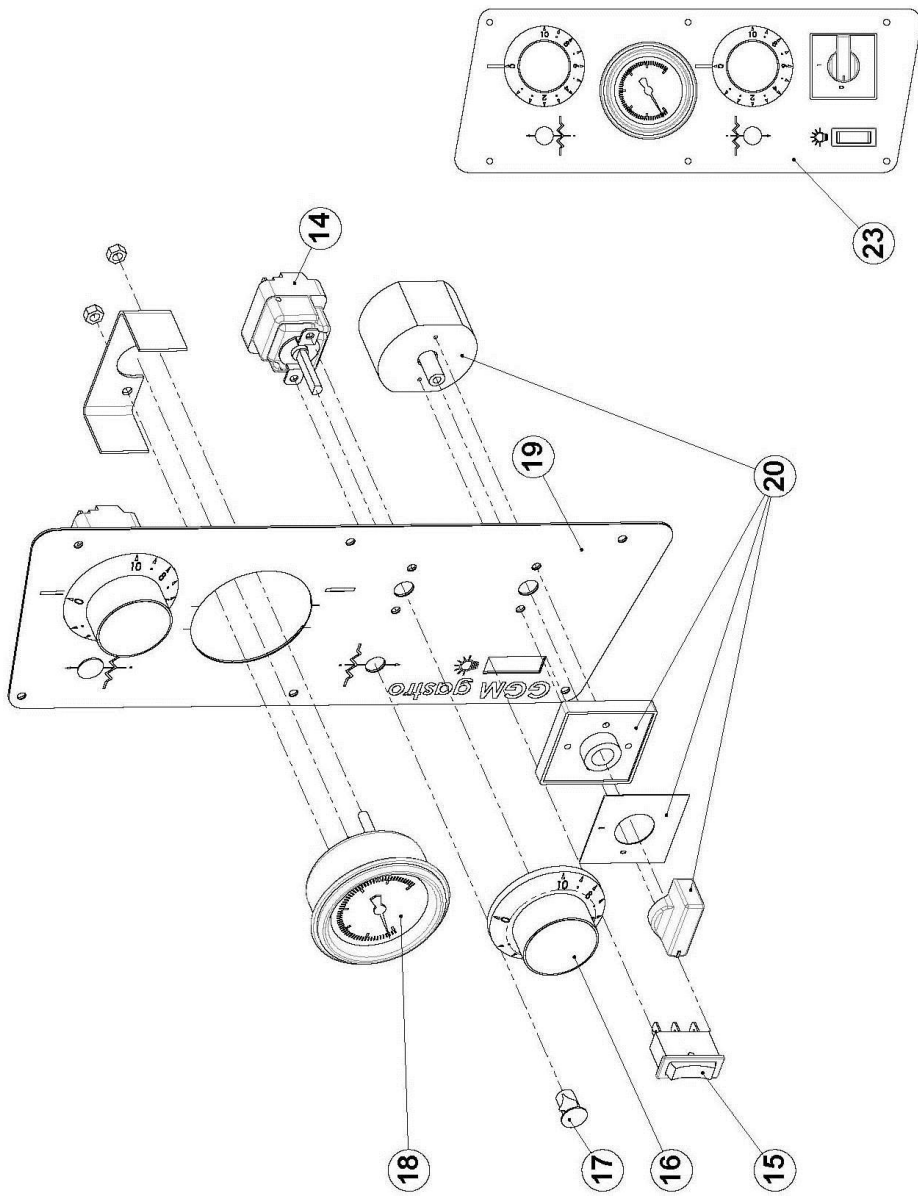
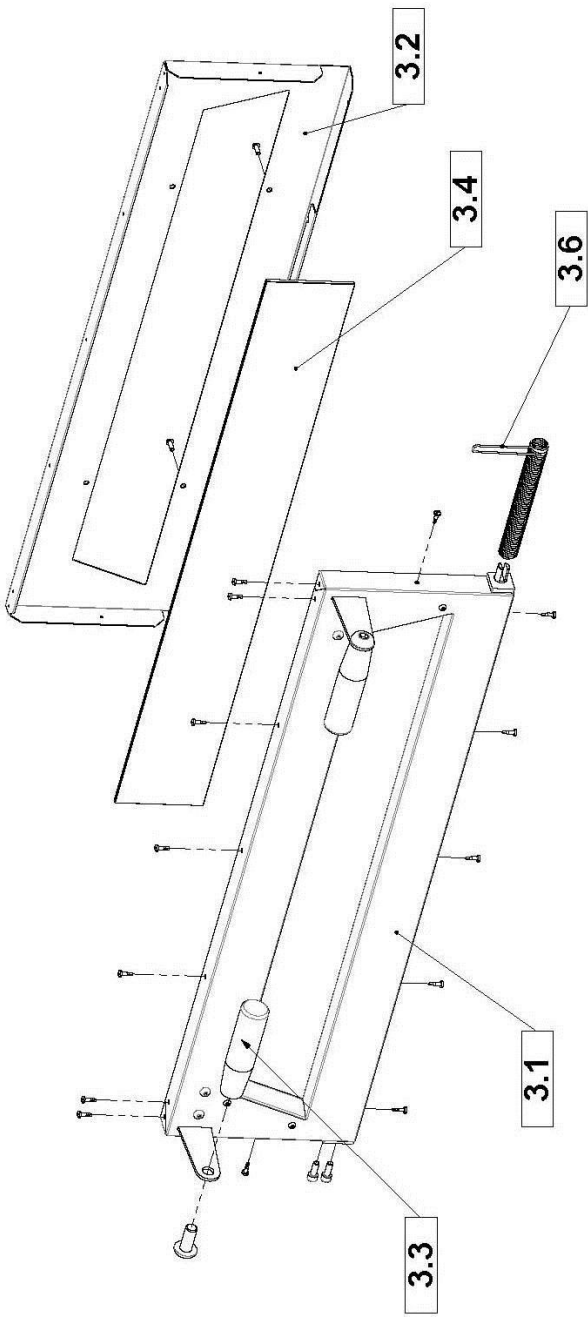


# EXPLODED VIEW AND SPARE PARTS LIST









**PDP66T code P07EN10046**

| <b>Pos.</b> | <b>Code</b> | <b>Description</b>                   |
|-------------|-------------|--------------------------------------|
| 1           | S40FN55039  | Entry LH side panel 12-18 MAX        |
| 2           | S40FN55031  | Entry RH side panel 12-18 MAX        |
| 3           | S35FN55042  | Entry complete door 4÷6÷8÷12 MAX     |
| 3.1         | S66PT55018  | Entry door assembly 4÷6÷8÷12 MAX     |
| 3.2         | S34FN55020  | Counterdoor assembly 4÷6÷8÷12 MAX    |
| 3.3         | A90MI65003  | Elesa handle I 280/115 M12           |
| 3.4         | A00PT57001  | Entry glass ceramic plate 4-6-8-12   |
| 3.6         | A86ME30004  | Entry oven door spring 6L÷9÷12L÷18   |
| 4           | A95OO65009  | Refractory stone 350x1050x14         |
| 5           | A87RZ65065  | Heating element 3650 W 230 V         |
| 6           | A87RZ65065  | Heating element 3650 W 230 V         |
| 7           | A90MP65001  | Spheric knob PLX.30-M8-C9            |
| 8           | A87IL74003  | Round lamp glass BJB 77.360.002.00   |
| 9           | A87CX62006  | Mammut assembly                      |
| 10          | A87IL73004  | Lamp holder Vossloh Schwabe E14 Type |
| 11          | A87IL72010  | Incandescent lamp 40W 230V E14       |
| 12          | A86EL46004  | Cable gland OBO 106 PG 21            |
| 13          | A86EL47003  | Nut for cable gland OBO 106 PG 11    |
| 14          | A88TX77007  | Threephases thermostat Tmax=400°     |
| 15          | A87AZ69006  | Red single-pole switch               |
| 16          | S73FN55008  | Thermostat knob AP10 scale 0-10      |
| 17          | A87IL72005  | Warning light lamp 380 V             |
| 18          | A88TC83001  | Analogue thermometer 0-500°C         |
| 19          | A93OL65047  | Entry Max GGM control label upper    |
| 20          | A87AZ69004  | Four-pole switch 16A                 |
| 23          | A93OL65048  | Entry Max GGM control label lower    |
| 27          | A86EL48001  | Equipotential connection             |

| <b>OPTIONAL-Tutto refrattario</b> |            |   |
|-----------------------------------|------------|---|
| R-1                               | A87IL74006 | Dome-form lamp glass                    |
| R-2                               | S41CM61010 | Refractory stone RH Entry MAX 6-9-12-18 |
| R-3                               | S41CM61009 | Refractory stone LH Entry MAX 6-9-12-18 |
| R-4                               | S41CM61003 | Back Refractory stone Prime 8           |
| R-5                               | A95OO65009 | Refractory stone 350x1050x14            |