

## EXTRA INFORMATION FOR DISPOSAL OF APPLIANCES AND BATTERIES



After the implementation of the European Directive 2012/19/EU in the national legal system, the following applies:

Electrical and electronic devices may not be disposed of with domestic waste. Consumers are obliged by law to return electrical and electronic devices at the end of their service lives to the public collecting points set up for this purpose or point of sale. Details to this are defined by the national law of the respective country. This symbol on the product, the instruction manual or the package indicates that a product is subject to these regulations. By recycling, reusing the materials or other forms of utilizing old devices, you are making an important contribution to protecting our environment.

**We look forward to your call:**



# Pizza Oven

## Instruction Manual



MODEL NO. MPOFP135



MODEL NO. MPOFP235

## IMPORTANT SAFEGUARDS

When using electrical appliances, basic safety precautions should always be followed including the following:

1. Read all instructions.
2. Do not touch hot surfaces. The surfaces are liable to get hot during use.
3. To protect against electrical shock do not immerse cord, plugs, or (state specific part or parts in question) in water or other liquids.
4. Close supervision is necessary when any appliance is used by or near children.
5. Unplug from outlet when not in use and before cleaning. Allow to cool before putting on or taking off parts.
6. Do not operate any appliance with a damaged cord or plug or after the appliance malfunctions or has been damaged in any manner. Return appliance to an authorized service facility for examination, repair, or adjustment.
7. The use of accessories not recommended by the appliance manufacturer might cause injuries.
8. Do not use outdoors. Commercial use.
9. Do not let cord hang over edge of table or counter, or touch hot surfaces.
10. Do not place on or near a hot gas or electric burner, or in a heated oven.
11. Extreme caution must be used when moving an appliance containing hot oil or other hot liquids.
12. Always attach plug to appliance first, and then plug cord into the wall outlet. To disconnect, turn any control to "0", then remove plug from wall outlet.
13. Do not use appliance for other than intended use.
14. Metal utensils must not be inserted in a oven as they may create a fire or risk of electric shock. Do not clean with metal scouring pads. Pieces can break off the pad and touch electrical parts involving a risk of electric shock.
15. A fire may occur if the oven is covered or touching flammable material, including curtains, draperies, walls, and the like, when in operation. Do not store any item on top of the appliance when in operation.
16. Extreme caution should be exercised when using constructed of other than metal or glass.
17. Do not store any materials, other than manufacturers recommended accessories, in this oven when not in use.
18. Do not place any of the following materials in the oven: paper, cardboard, plastic, and the like.
19. Do not cover crumb tray or any part of the oven with metal foil. This will cause overheating of the oven.
20. The appliance is off when both power switches are in the "0" position.

## To achieve the best baking results!

If on cold start 250°C:

Cooking up and down about. 12 min

Pre-heated to 250°C :

Cooking up and down about. 5-6 min

Frozen: When starting from cold to 250°C:

top and bottom about 12 min.

Pre-heated to 250°C:

top and bottom about 5-6 min.

Frozen pizza

Cooking up and down about. 12-13 min

Pre-heated to 250°C :

Cooking up and down about. 8-9 min

Frozen Pizza: When starting from cold to 250°C:

top and bottom about 12-13 min.

Pre-heated to 250°C:

top and bottom about 8-9 min.

Baguette (bake only in the bottom drawer):

When starting from cold to 180°C:

bottom about 10 min.

Pre-heated to 180°C:

bottom about 8 min.

★ Cleaning and Maintenance

- First remove the plug of the power cord from the wall outlet.
- After the oven cools, use a damp cloth or sponge to clean. Don't soak the inside of the oven or wash it in running water, as this will cause serious damage to the appliance.
- Don't use a sharp or hard kitchen utensil on the oven since this could damage the surface of the appliance.
- Covering the crumb drawer with aluminum foil before cooking will make clean up easier.

★ Troubleshooting

1. The oven does not become hot after being switch on. Be sure the power switch is on. Be sure that the temperature switch is set.
2. Food is burned? Have the service agent check the temperature switch.

★ Repair and Maintenance

- If the oven has not been used for a long time, take care to remove dust and moisture before operating.
- The company offers free repair and maintenance service within one year of the date of purchase. This only covers faults due to a manufacturing defect.
- Free repair and maintenance service will not be given if there is evidence of damage caused by carelessness or improper use.
- If there is something wrong with this product, please contact a qualified agent. Do not attempt to dismantle and repair it yourself.

NOTICE: If the supply cord is damaged, it must be replaced by the manufacturer or its service agent or a similarly person in order to avoid a hazard.

**Before Using**

Before using your oven for the first time, be sure to:

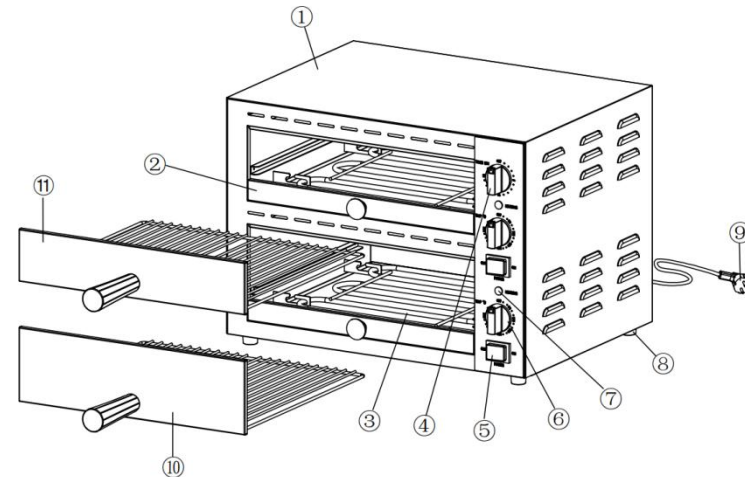
- Wash the handle, roasting rack, baking tray with soapy water.
- Use a damp cloth to wipe lightly the inner walls of the oven.
- Use a small amount of detergent, but don't use a spray or abrasive-polishing agent.
- Don't touch the electric heating elements, and don't soak the inside of the oven with water.

Burning-in: Place the rack inside the oven.

- Preheat the oven. First close the oven and then preheat the oven at the highest temperature for 5 minutes. Afterwards, preheating will not be necessary.
- Turn off the heating elements. Open the oven door to remove any smoke residue inside the oven.

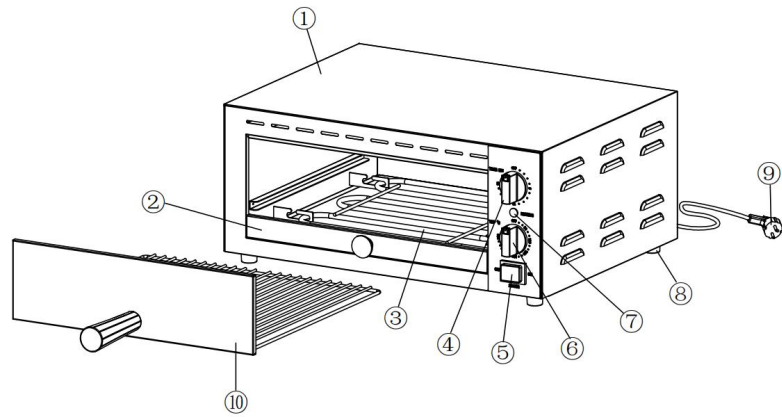
**Accessories**

Baking tray



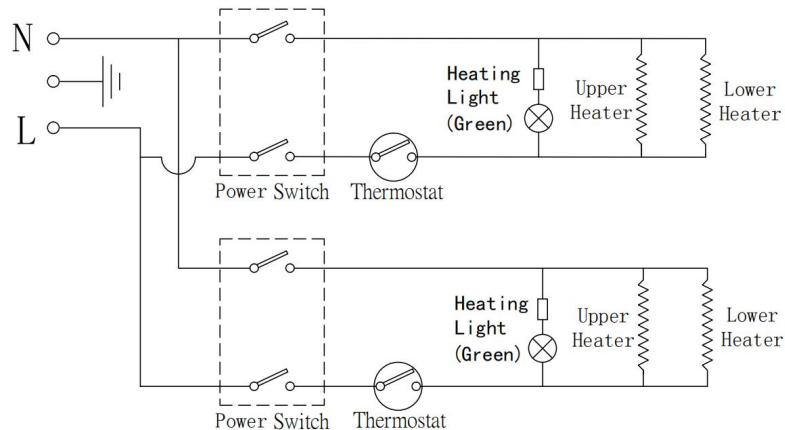
- |                |                 |                   |         |
|----------------|-----------------|-------------------|---------|
| 1.Main body    | 2.Crumb tray    | 3.Heating element | 4.Timer |
| 5.Power switch | 6.Thermostat    | 7.Heating light   | 8.Foot  |
| 9.Power cord   | 10.Lower drawer | 11.Upper drawer   |         |

## Accessories

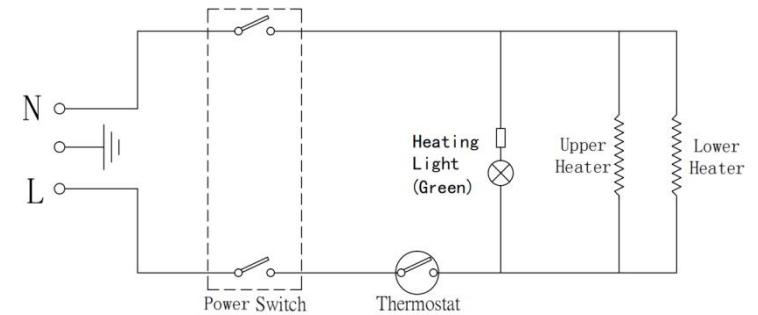


- |                |              |                   |         |
|----------------|--------------|-------------------|---------|
| 1.Main body    | 2.Crumb tray | 3.Heating element | 4.Timer |
| 5.Power switch | 6.Thermostat | 7.Heating light   | 8.Foot  |
| 9.Power cord   | 10.Drawer    |                   |         |

## CIRCUIT



MPOFP235 circuit diagram



MPOFP135 circuit diagram

### Power supply:

MPOFP235: AC220-240V 50Hz 2260W

MPOFP135: AC220-240V 50Hz 1130W

### Using Your Oven

Please wear glove or use a grip to fetch the baked food.

#### ★Power and Temperature indicate light

When the appliance is connected to the power supply, turn the temperature knob to the desired data, then push the power switch on, the power indicator light is on, the oven start working.

#### ★Timer

The range of the timer is 0-15 minutes. The timer has no electrical function. It only serves as a reminder.

During the baking process, the timer can be turned to a new position in order to reset the time according to the revised requirement.

#### ★ Temperature Control Knob / Protected component

This thermostatic switch controls the temperature inside the oven; when the thermostat stops operating, the temperature indicator light is off. It maintains the proper temperature during the various baking operations. This appliance provide a protected component, if the temperature of the oven reach the limitation, the component will shut off. When reheating, the lamp lights again.