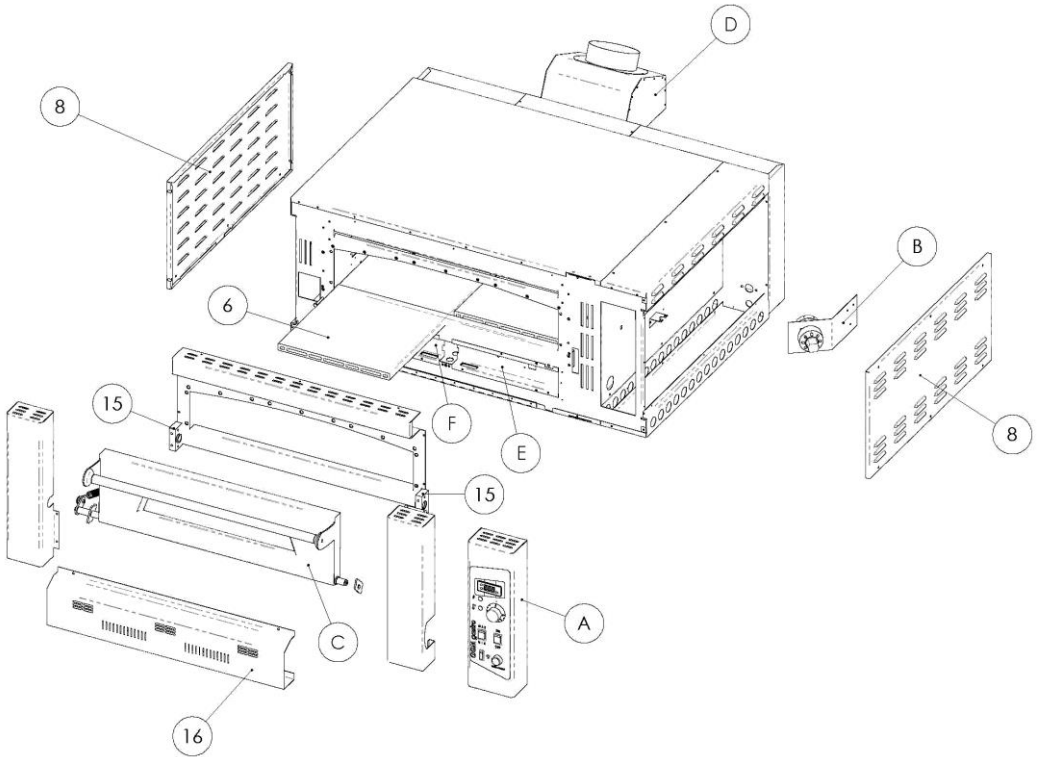


EXPLODED VIEW



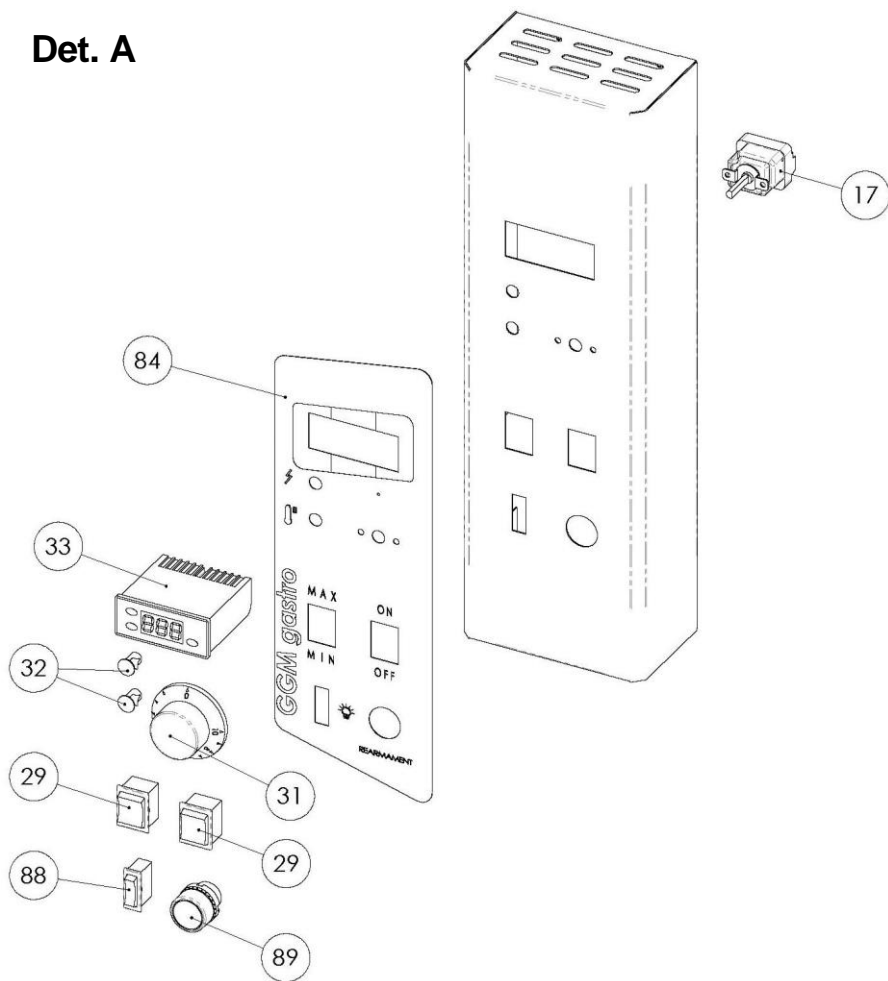
GEP 4 - GEP 6

Pos.	Description
6	PERFORATED REFRACTORY BRICK MIS. 700X350X22
15	DOOR SUPPORT BLOCK
16	CENTRAL PANEL OVEN 4-6

GEP 9

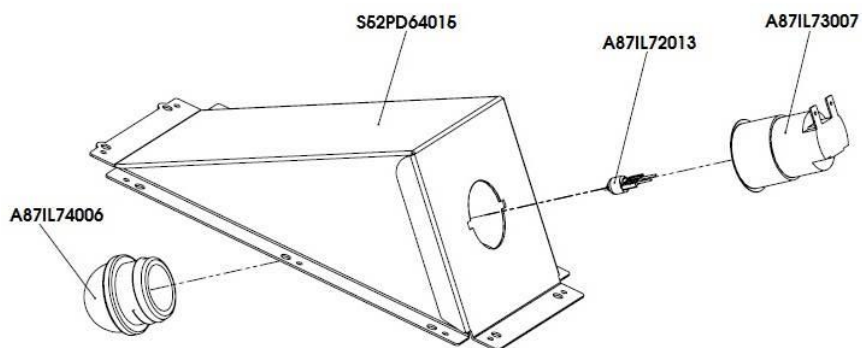
Pos.	Description
6	PERFORATED REFRACTORY BRICK MIS. 1050X350X22
15	DOOR SUPPORT BLOCK
16	CENTRAL PANEL OVEN 9

Det. A

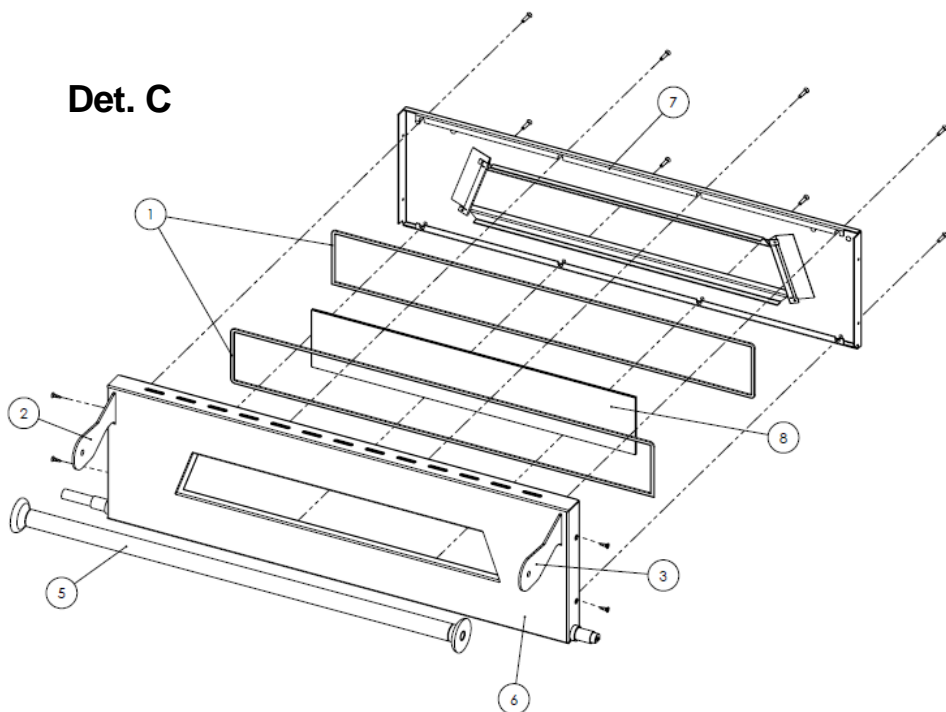


Pos.	Description
17	UNIPOLAR THERMOSTAT
29	AN_EL DOUBLE-POLE LUMINOUS GREEN LIGHT SWITCH ROLL MACH./PROF. 0-1 CV2 230V
31	THERMOSTAT KNOB (°C)
32	TRANSPARENT INDICATOR LAMP 250 V, CABLE LENGTH 200 mm
33	DIGITAL THERMOMETER PROFESSIONAL=CLASSIC OVEN
84	BLACK POLYCARBONATE LABEL
88	RED LUMINOUS UNIPOLAR LAMP SWITCH
89	RED LUMINOUS GAS OVEN RESET BUTTON

Det. B



Det. C

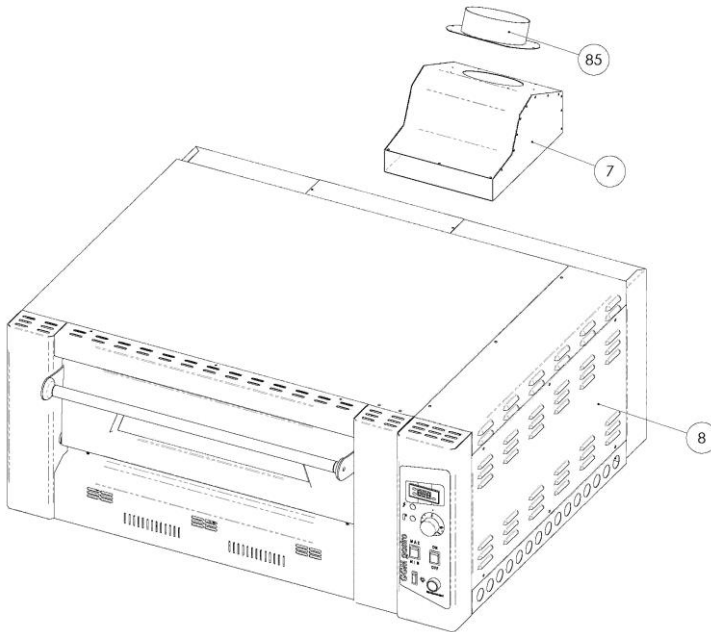


Det. C**Door Assembly GEP 4 - GEP 6 Code S35FN57008**

Pos.		Description
1		TAPE IN WHITE GLASS FIBRE WITH ADHESIVE 6X2 MM
2		LEFT PLATE SUPPORT HANDLE
3		RIGHT PLATE SUPPORT HANDLE
5		HANDLE ASSEMBLY GAS OVEN 4-6
6		DOOR ASSEMBLY GAS OVEN 4-6
7		INNER DOOR ASSEMBLY GAS OVEN 4-6
8		GLASS CERAMIC SHEET

Det. C**Door Assembly GEP 9 Code S35FN57011**

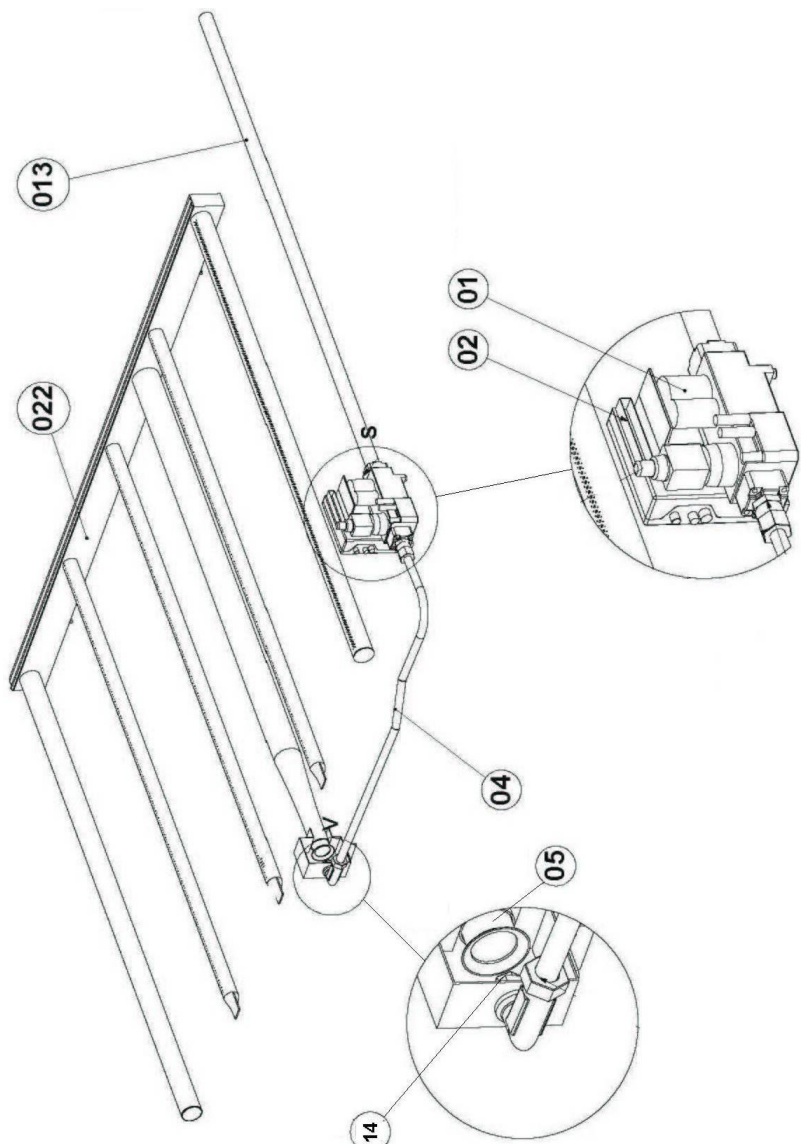
Pos.		Description
1		TAPE IN WHITE GLASS FIBRE WITH ADHESIVE 6X2 MM
2		LEFT PLATE SUPPORT HANDLE
3		RIGHT PLATE SUPPORT HANDLE
5		HANDLE ASSEMBLY GAS OVEN 4-6
6		DOOR ASSEMBLY GAS OVEN 4-6
7		INNER DOOR ASSEMBLY GAS OVEN 4-6
8		GLASS CERAMIC SHEET



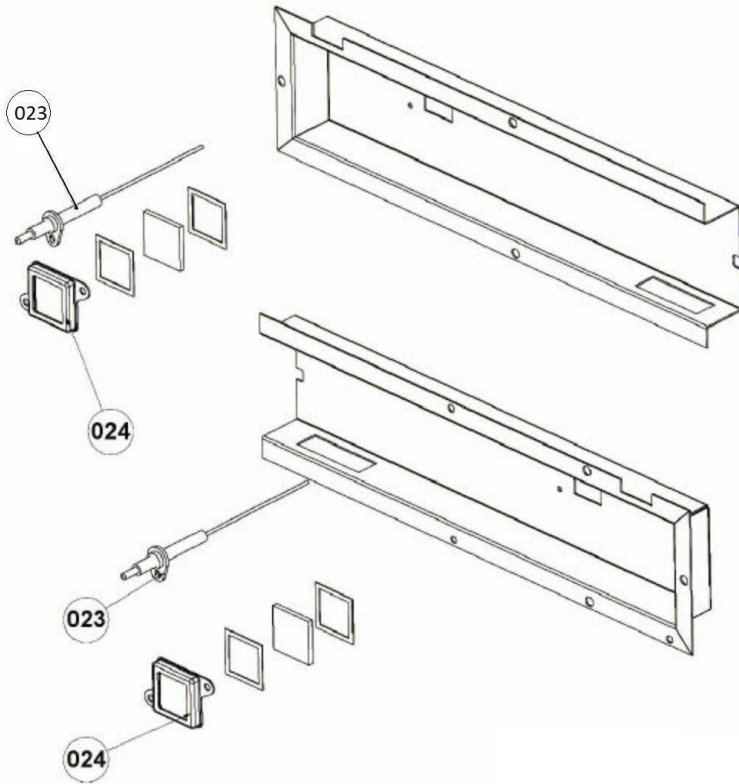
Pos.	Description
7	ASSEMBLY GAS 4 DRAUGHT CHIMNEY
8	RIGHT SIDE PANEL 4-6
85	ASSEMBLY CHIMNEY FITTING Ø 152

Pos.	Description
7	ASSEMBLY GAS 6 DRAUGHT CHIMNEY
8	RIGHT SIDE PANEL 4-6
85	ASSEMBLY CHIMNEY FITTING Ø 152

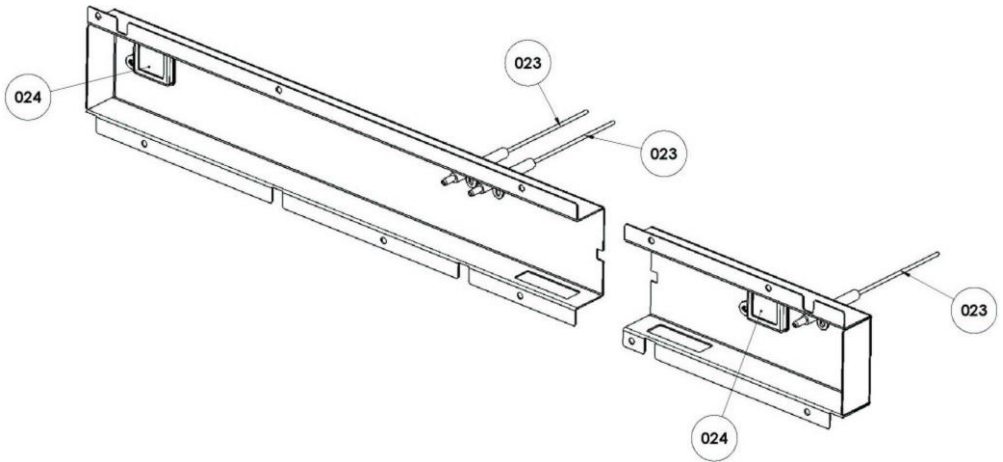
Pos.	Description
7	ASSEMBLY GAS 9 DRAUGHT CHIMNEY
7	ASSEMBLY GAS 9 DRAUGHT CHIMNEY UNDER THE HOOD
8	RIGHT SIDE PANEL 9
85	-----



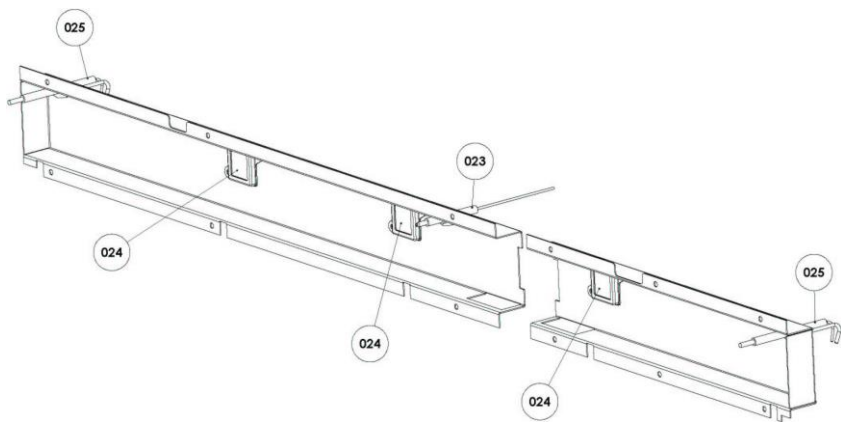
UGELLO
INJECTOR



Pos.	Description
1	TWO STAGE GAS VALVE model VK4105P2037B GAS OVEN
2	IGNITION CARD model SA565A2092B GAS OVEN
4	Ø12X1 GAS 4 COPPER PIPE
5	GAS 4 AIR ADJUSTMENT BUSH Ø20-20X1X42
13	1/2" GAS 4 OVEN GALVANIZED PIPE
14	INJECTOR NATURAL GAS FLAME 4 (Ø 335)
14	INJECTOR LPG GAS FLAME 4 (Ø 195)
22	GAS 4 OVEN BURNER
23	IGNITION / DETECTION ELECTRODE G4-G6
24	SLIDE ASSEMBLY INSPECTION Mis. 30x30x3



Pos.	Description
1	TWO STAGE GAS VALVE model VK4105P2037B GAS OVEN
2	IGNITION CARD model SA565A2092B GAS OVEN
4	Ø12X1 GAS 6 COPPER PIPE
5	GAS 6 AIR ADJUSTMENT BUSH Ø24-22X1X42
13	1/2" GAS 6 OVEN GALVANIZED PIPE
14	INJECTOR NATURAL GAS FLAME 6 (Ø 400)
14	INJECTOR LPG GAS FLAME 6 (Ø 230)
22	GAS 6 OVEN BURNER
23	IGNITION / DETECTION ELECTRODE G4-G6
24	SLIDE ASSEMBLY INSPECTION Mis. 30x30x3



Pos.	Description
1	TWO STAGE GAS VALVE model VK4105P2037B GAS OVEN
2	IGNITION CARD model SA565A2092B GAS OVEN
4	Ø12X1 GAS 9 COPPER PIPE
5	GAS 9 AIR ADJUSTMENT BUSH Ø26-24X1X42
13	1/2" GAS 6-9 OVEN GALVANIZED PIPE
14	INJECTOR NATURAL GAS FLAME 9 (Ø 500)
14	INJECTOR LPG GAS FLAME 9 (Ø 285)
22	GAS 9 OVEN BURNER
23	DETECTION ELECTRODE GAS 4-6-9
24	INSPECTION WINDOW ASSEMBLY, 2 GASKETS Meas. 30x30x3 GAS OVEN
25	IGNITION ELECTRODE GAS 9

