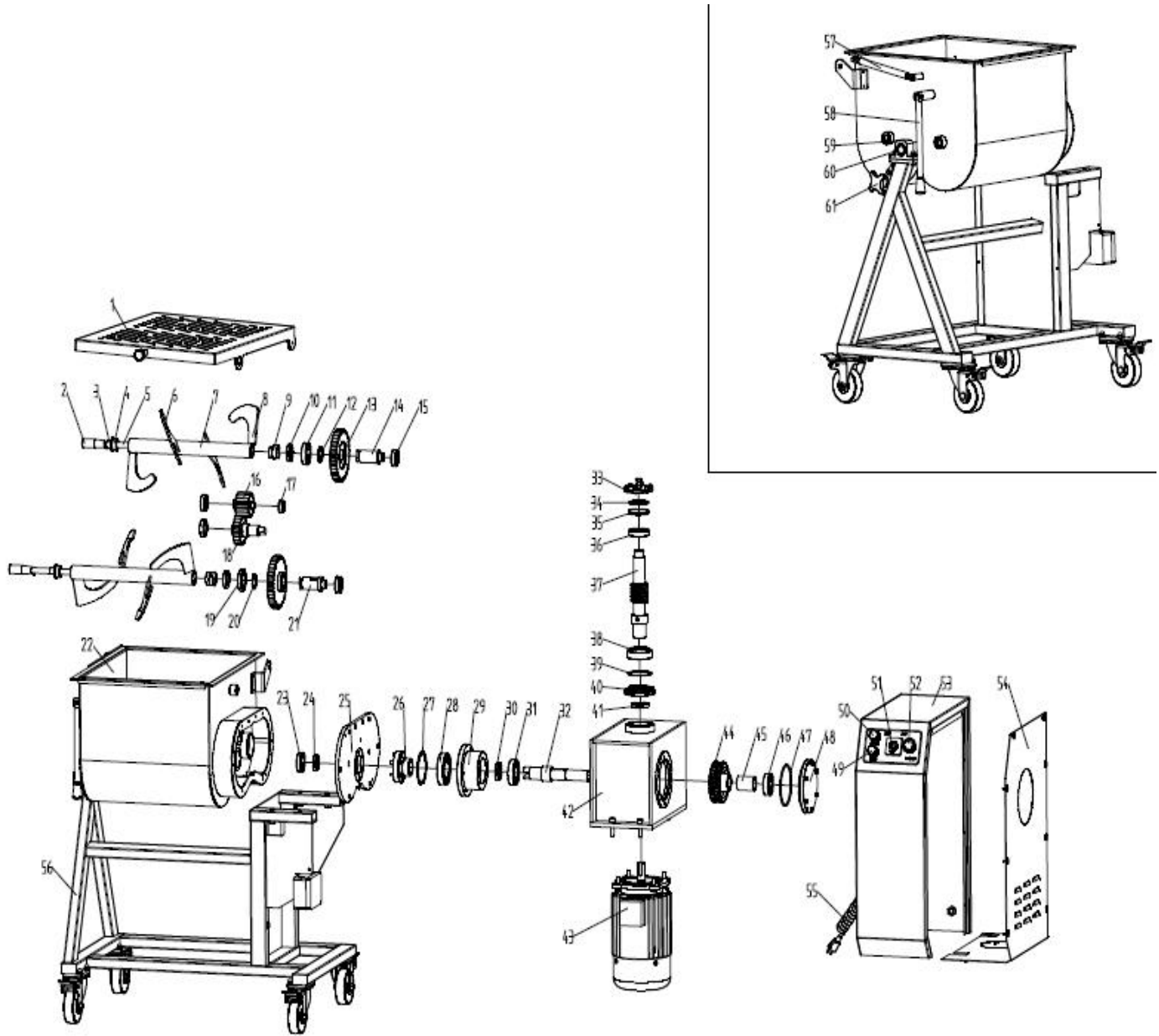


EXPLODE DRAWING WITH PRICE FOR FMH60



Item	Material code	Name	QTY
1	2.HLM6001-0000510701	cover	1
2	2.HLM600702-0000510901	Mixer shaft handle	2
3	2.HLM600310-010009001	Bushing	2
4	2.HLM600402-0000510701	Plug	1
5	2.HLM600701-0000510701	Mixer shaft	2
6	2.HLM600403-0000510701	Mixing block 1	4
7	2.HLM600401-0000510701	Rotating shaft	1
8	2.HLM600404-0000510701	Mixing block 2	4
9	2.HLM600405-0000510701	Bolt seat	1
10	4.01.FB35500821	Skeleton oil seal	3
11	4.01.6007GBT294166	deep groove ball bearing	1
12	2.HLM600312-0000510701	Spacer 2	1

13	2.HLM600306-0000511501	Big gear 36X4	2	
14	2.HLM600305-0000510702	Rear drive shaft	1	
15	4.01.6005GBT294166	deep groove ball bearing	4	
16	2.HLM600307-0000511501	Gear 16X4	1	
17	4.01.6003GBT294166	deep groove ball bearing	1	
18	2.HLM600308-0000511501	shaft gear	1	
19	4.01.16007GBT294166	deep groove ball bearing	1	
20	2.HLM600309-0000511501	Sleeve	1	
21	2.HLM600304-0000510701	Front transmission shaft	1	
22	2.HLM6003-0000510701	Pot	1	
23	4.01.6006GBT294166	deep groove ball bearing	1	
24	4.01.FB30450821	oil seal	1	
25	2.HLM6008-0000511601	Gearbox cover	1	
26	2.HLM6010-0000511501	Spindle sleeve	1	
27	4.01.90GBT893_115	Ring	1	
28	4.01.6210GBT294166	deep groove ball bearing	1	
29	2.HLM600216-0000510201	Front flange cover	1	
30	4.01.FB35500821	framework oil seal	1	
31	4.01.6207GBT294166	deep groove ball bearing	1	
32	2.HLM600214-0000511502	worm gear shaft	1	
33	2.HLM600218-0004511501	Worm rear end cover	1	
34	4.01.00000000000563	O-ring	1	
35	2.HLM600219-0004511501	Worm adjustment pad	1	
36	4.01.30206GBT294166	Bearing	1	
37	2.HLM600212-0000511501	Worm1*3.5	1	
38	4.01.33108GBT294166	Tapered roller bearing	1	
39	4.01.692_65GB3452_1	O-ring	1	
40	2.HLM600217-0000511501	Motor end shaft pressure cover	1	
41	4.01.FB4055821	oil seal	1	
42	2.HLM600200-0000511601	Worm gear box	1	
43	1.04.HLM601141310	Motor	1	
44	2.HLM600213-0000510011	Worm gear30X3.5	1	
45	2.HLM600215-0000510201	Worm gear shaft spacer sleeve	1	
46	4.01.6206_2RSGBT294166	deep groove ball bearing	1	
47	4.01.1203_55GB3452_1	O-ring	1	
48	2.HLM600220-0000511801	Worm gear rear end cover	1	
49	1.05.015111HB320	Button Switch	1	
50	1.05.015211HB320LAY16	Button Switch	1	
51	1.05.023011HMCLW2620	Transfer switch	1	
52	1.05.105211LA42J01/RS	Emergency stop	1	
53	2.HLM601101-0000510701	Outer cover	1	
54	2.HLM601102-0000510701	Rear cover	1	
55	1.01.01.18078101	power cord	1	

56	2.HLM6001-0000511602	Rack	1	
57	4. 02. 000006051	Gas Spring	1	
58	2.HLM40A0310-0000510701	Handlever	1	
59	2.HLM600115-0000511601	Tilting support	1	
60	2.HLM600116-0000510301	Support liner	1	
61	2.HLM6013-0000510701	Locking shaft	1	