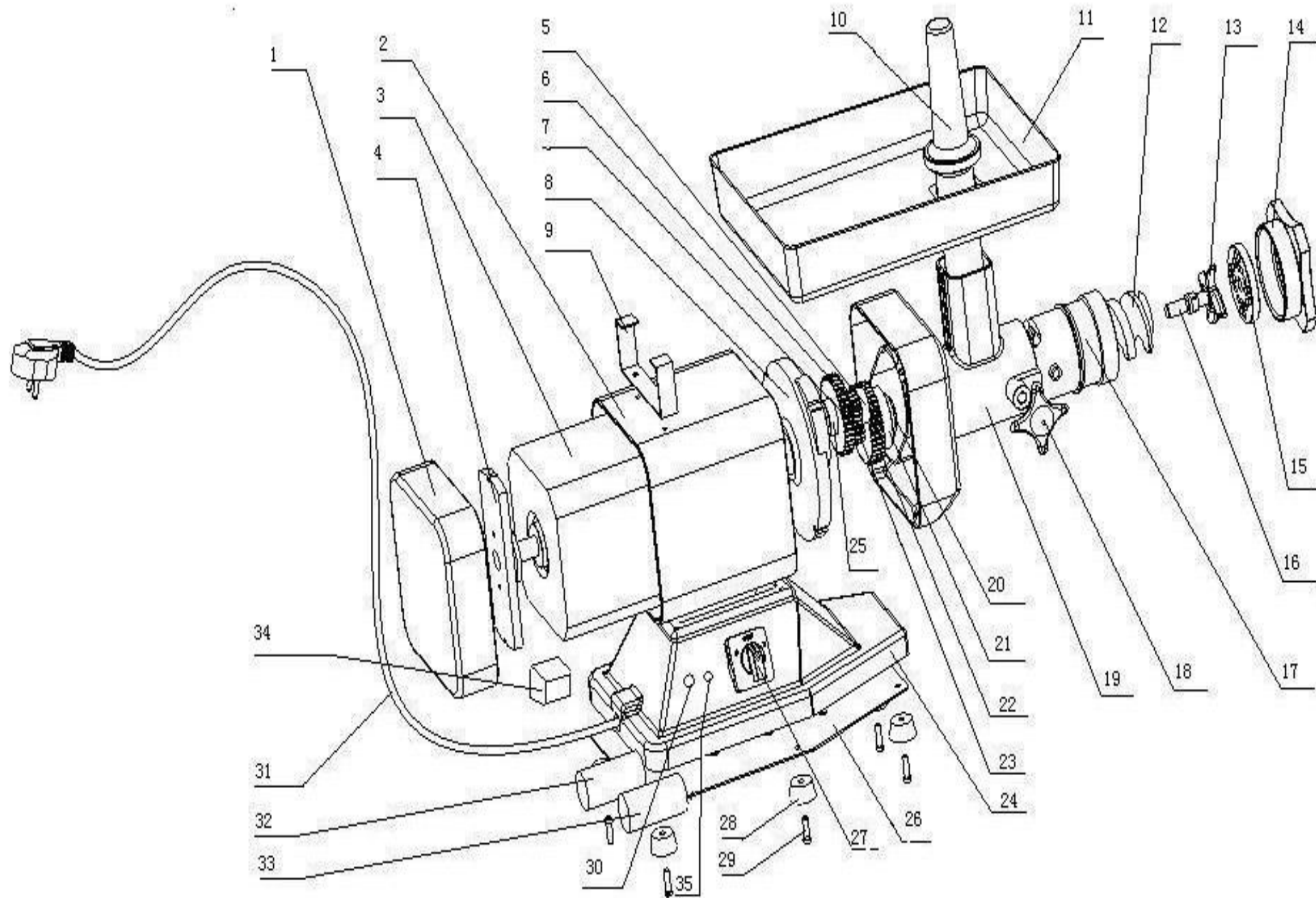


Exploded View of meat mincer FWH22



Part No.	Part Name
1	Back cover of body
2	Body
3	Motor
4	back cover for motor
5	small axis
6	small driving gear
7	big driving gear
8	front cover for motor
19	shell
20	oil sealing
21	large bearing
22	bearing for spindle
23	gear of motor
9	bracket
10	pestle
11	food tray
12	feeder
13	blade
14	screw cap
15	blade
16	blade shaft
17	sleeve for feeder
18	knob with pole
24	seat
25	small axis
26	bottom
27	Reversible switch
28	feet

29	screw for feet
30	power off switch (red color)
31	wire and plug
32	capacitor for motor
33	start capacitor
34	relay
35	power on switch (green color)