

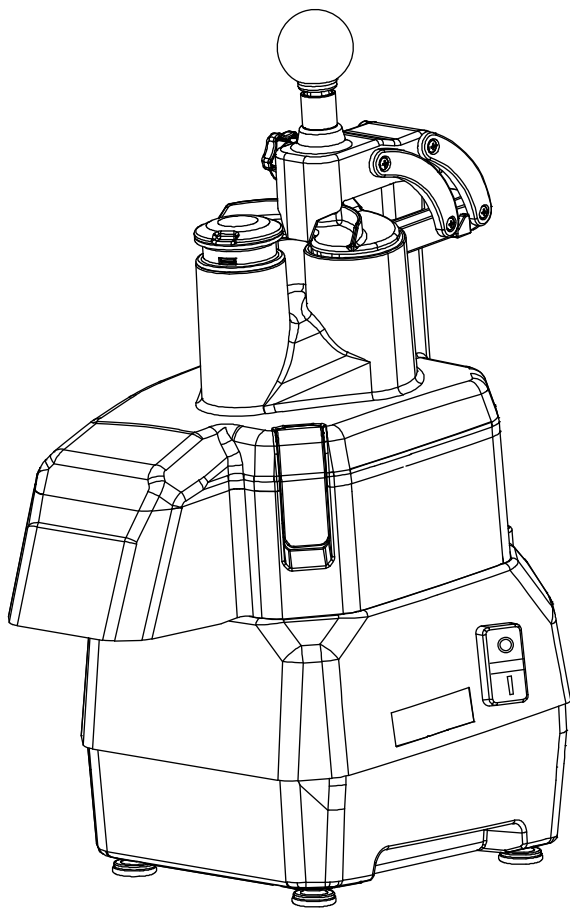
# ggmgastro

## INSTRUCTION MANUAL

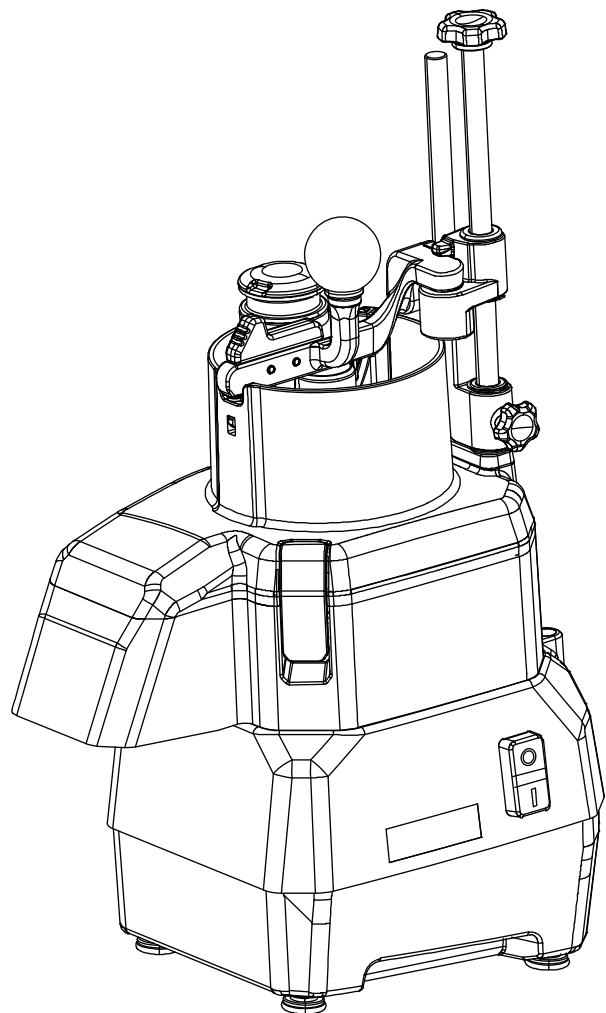
Original instructions for

## Vegetable Cutter & Bowl Cutter

**GEA4 / GEA4K**



**GEA4K**



**GEA4**



Keep these instructions with the appliance.

You should read this user manual carefully before using the appliance.

**Dear Customer,**

**Thank you for purchasing this appliance. Please take a few minutes before starting operation of the appliance and read the following operating instructions.**

## **1. INTENDED USE**

- 1.1** This machine is designed for commercial use only and must not be used for household.
- 1.2** The appliance must only be used for the purpose for which it was intended and designed. Otherwise, it might lead to damage of the machine, property or personal injury.
- 1.3** The machine is intended for commercial and indoor use by trained and skilled personnel familiar with these instructions.

The machine body is mainly made in ABS for easy cleaning and maintenance. It has safety features compliant with the applicable safety Directives.

## **2 SAFETY REGULATIONS**

### **2.1 Safety regulations**

- 2.1.1** This appliance is intended for commercial use only and must not be used for household use.
- 2.1.2** The appliance must only be used for the purpose for which it was intended and designed. The manufacturer is not liable for any damage caused by incorrect operation and improper use.
- 2.1.3** Keep the appliance and electrical plug away from water and any other liquids. In the event that the appliance should fall into water, immediately remove plug from the socket and do not use until the appliance has been checked by a certified technician. Failure to follow these instructions could cause a risk to lives.
- 2.1.4** Never attempt to open the casing of the appliance yourself.
- 2.1.5** Do not insert any objects in the casing of the appliance.
- 1.1.6** Do not touch the plug with wet or damp hands.
- 2.1.7** Danger of electric shock! Do not attempt to repair the appliance yourself. In case of malfunctions, repairs are to be conducted by qualified personnel only.
- 2.1.8** Never use a damaged appliance! Disconnect the appliance from the electrical outlet and contact the retailer if it is damaged.
- 2.1.9** Do not immerse the electrical parts of the appliance in water or other liquids. Never hold the appliance under running water.
- 2.1.10** Regularly check the power plug and cord for any damage. If the power plug or power cord is damaged, it must be replaced by a service agent or similarly qualified persons in order to avoid danger or injury.
- 2.1.11** Make sure the cord does not come in contact with sharp or hot objects and keep it away from open fire. To pull the plug out of the socket, always pull on the plug and not on the

cord.

**2.1.12** Ensure that the cord (or extension cord) is positioned so that it will not cause a trip hazard.

**2.1.13** Always keep an eye on the appliance when in use.

**2.1.14 Warning!** As long as the plug is in the socket the appliance is connected to the power source.

**2.1.15** Turn off the appliance before pulling the plug out of the socket.

**2.1.16** Never carry the appliance by the cord.

**2.1.17** Do not use any extra devices that are not supplied along with the appliance.

**2.1.18** Only connect the appliance to an electrical outlet with the voltage and frequency mentioned on the appliance label.

**2.1.19** Connect the power plug to an easily accessible electrical outlet so that in case of emergency the appliance can be unplugged immediately. To completely switch off the appliance pull the power plug out of the electrical outlet.

**2.1.20** Always turn the appliance off before disconnecting the plug.

**2.1.21** Never use accessories other than those recommended by the manufacturer. Failure to do so could pose a safety risk to the user and could damage the appliance. Only use original parts and accessories.

**2.1.22** This appliance is not intended for use by persons (including children) with reduced physical, sensory or mental capabilities, or lack of experience and knowledge.

**2.1.23** This appliance must not be used by children under any circumstances.

**2.1.24** Keep the appliance and its cord out of reach of children.

**2.1.25** Always disconnect the appliance from the mains if it is left unattended or is not in use, and before assembly, disassembly or cleaning.

**2.1.26** Never leave the appliance unattended during use.

## **2.2 Special Safety Regulations**

**2.2.1** The appliance is intended for commercial and indoor use by trained and skilled personnel familiar with these instructions.

**2.2.2** This machine is designed for vegetable cutting in restaurants, canteens and similar catering establishments.

**2.2.3** Any other use might lead to damage to the appliance or personal injury.

**2.2.4** Do not place the appliance on a heating object (gasoline, electric, charcoal cooker, etc.) Keep the appliance away from any hot surfaces and open flames. Always operate the appliance on a level, stable, clean, heat-resistant and dry surface.

**2.2.5 Danger of injury!** Care is needed when operating or cleaning. Wear protective gloves (not supplied) if necessary.

**2.2.6 Caution!** Securely route the power cord if necessary, in order to prevent unintentional tripping over and falling.

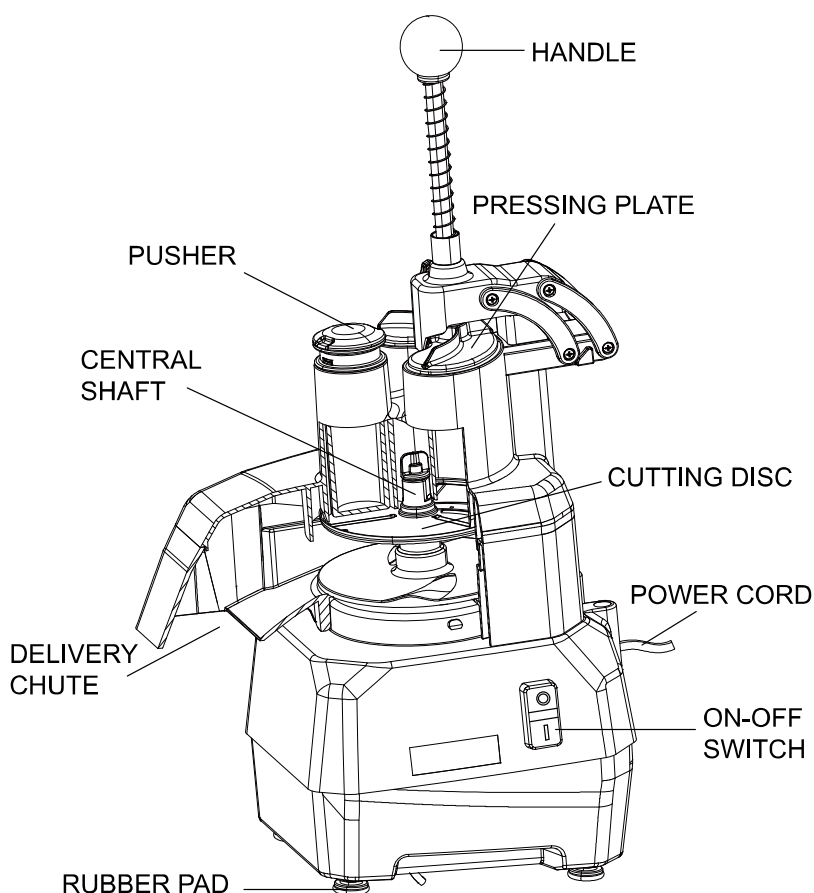
**2.2.7** Do not use the appliance before it is properly assembled.

- 2.2.8** This appliance is not intended to be operated by means of an external timer or separate remote-control system.
- 2.2.9** Never bypass any safety interlocks on the appliance.
- 2.2.10 WARNING: ALWAYS** switch off the appliance and unplug from electrical power supply before cleaning, maintenance or storage.
- 2.2.11 WARNING: ALWAYS** keep hands, long hair and clothing away from the moving parts.
- 2.2.12 WARNING:** Take great care when handling the cutting blade. Wear protective gloves (not supplied) if necessary.
- 2.2.13** Allow at least 15 cm spacing around the appliance for ventilation purpose during use.
- 2.2.14** Do not wash the appliance with water or waterjet. Washing with water can cause leakage and increase the risk of electric shock. No parts are dishwasher safe.
- 2.2.15** Do not move the appliance while it is under operation. Unplug the appliance when moving and hold it at the bottom.
- 2.2.16** Special care should be taken when moving or transporting the appliance. Move the machine slowly, carefully.
- 2.2.17** This appliance is equipped with a cord having a grounding wire with a grounding plug, the plug must be plugged into an outlet that is properly installed and grounded.

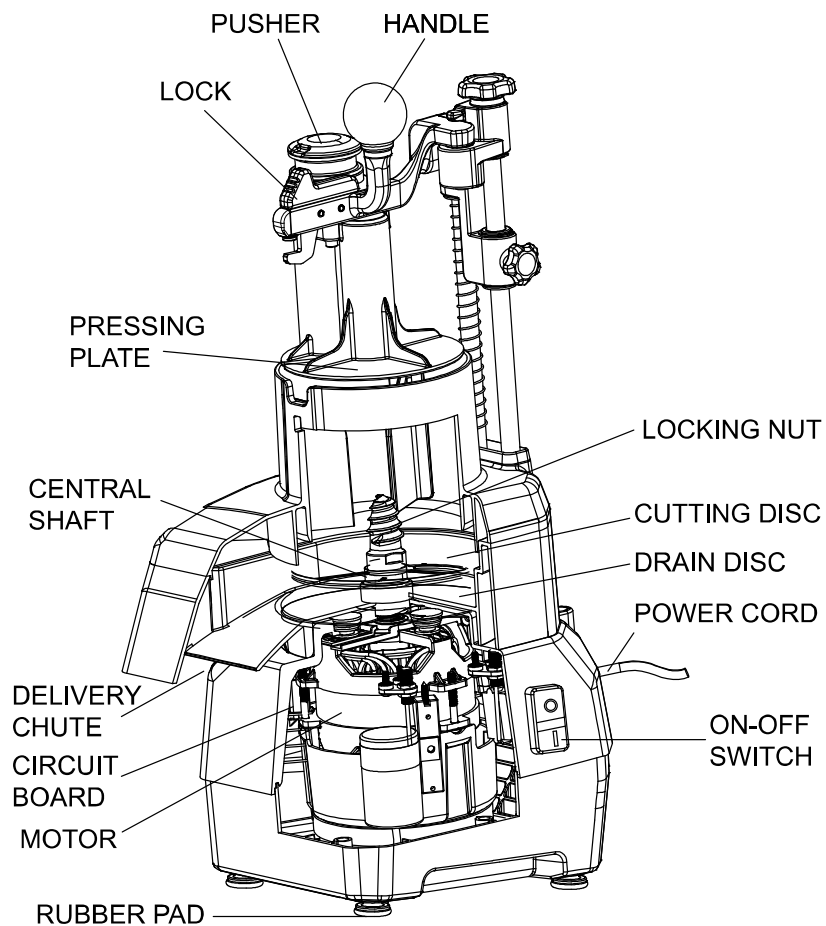
### 3 PRODUCT DESCRIPTION

#### 3.1 Parts of description

GEA4K

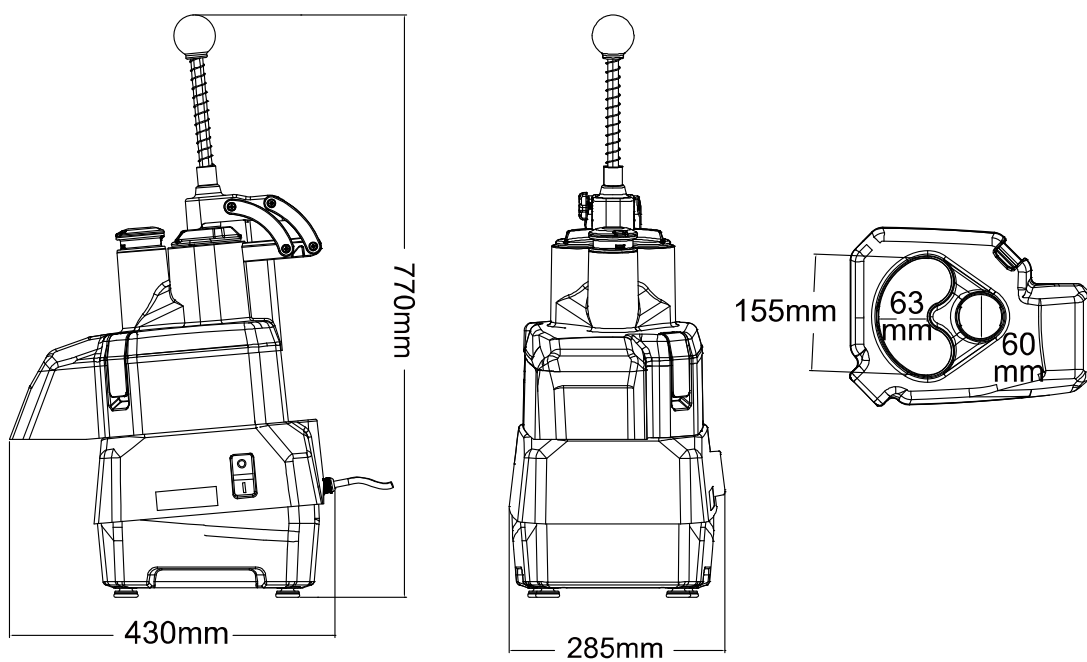


## GEA4

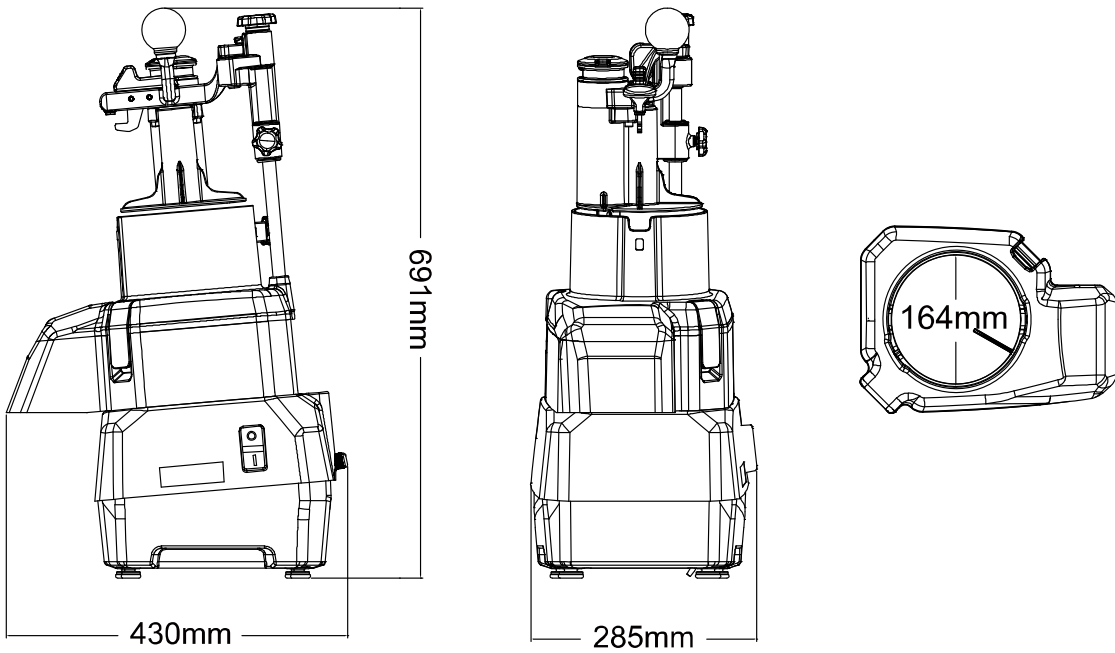


### 3.2 MAIN TECHNICAL PARAMETERS

#### GEA 4K



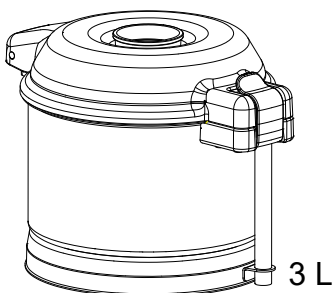
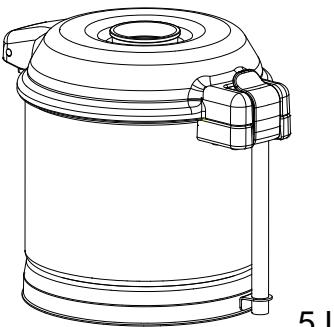
GEA 4



zModel	Voltage	Power	Speed	Weight	Packing size
GEA4K	220V-240V~ 50/60Hz	735W	1500 rpm	17.7 / 20.3 kg	47.5X39X68cm
GEA4				17.8 / 21.0 kg	

Remark: Technical specification is subjected to change without prior notification.

NOTE: GEA4 / GEA4K can be used with cutting bowl attachment. It doesn't include any attachments. You can find available attachments for your choice.

Model	EBA2	EBA5
Capacity	 3 L	 5 L
N.W./G.W.	2.2/2.5kg	2.5/2.8kg
Packing size	26X22.5X24cm	26X22.5X28cm

## 4 INTRODUCTION

### 4.1 Preparation for first use

- 4.1.1 Check to make sure the appliance is undamaged. In case of any damage, contact your supplier immediately and do NOT use the appliance.
- 4.1.2 Remove all the packing material and protection film (if applicable). Keep the packaging for future storage.
- 4.1.3 Clean the appliance, see: **4.6 Cleaning**.
- 4.1.4 Place the appliance on a level and steady surface, unless mentioned otherwise.
- 4.1.5 Make sure there is enough clearance around the appliance for ventilation purposes.
- 4.1.6 Position the appliance in such a way that the plug is accessible at all times.
- 4.1.7 Make sure the power outlet ratings correspond to the specifications printed on the rating plate.
- 4.1.8 Make sure that the machine is connected to a grounding system.
- 4.1.9 Even if safety systems are installed on the machine, prevent approaching moving parts with hands and do not touch the machine with wet or damp hands.
- 4.1.10 It is strongly recommended that the operator contact the after sales center if there is any problem or malfunction occurred. Please do not dismantle the machine or in place of unauthorized parts.

### 4.2 The manufacturer will be not responsible for following cases:

- 4.2.1 If the machine is tampered with or safety functions are installed by non-authorized staff.
- 4.2.2 If the components are replaced by unauthorized parts.
- 4.2.3 If the instruction in this manual is not carefully followed.
- 4.2.4 If the machine surfaces are treated with unsuitable substance or solvent.

### 4.3 Safety devices

- 4.3.1 **Micro-switch**: The appliance is equipped with two safety micro switches. These switches cut off the power supply, if during operation the handle is lifted up beyond a certain distance or the cover is opened. If the power is cut off after the handle was lifted, simply lower the handle again to restart the appliance.
- 4.3.2 **Overcurrent protection switch** (Circuit breaker): The switch is designed to protect the electrical circuit from damage caused by excess current as a result of an overload or short circuit. The switch interrupts current flow after a fault is detected.

**Note:** To reset the machine, wait a few minutes till the motor cool down, then restart the machine.

## 4.4 INSTALLATION

### 4.4.1 Packing and unpacking

- 4.4.1.1 Remove all packaging materials. Keep the packaging for future storage.
- 4.4.1.2 Ensure the packages you received includes following items: vegetable cutter machine unit, grater disc\*2pcs, slicer disc\*2pcs (one is installed with machine), spanner

(for GEA4 only), brusher, instruction manual.

After unpacking all accessories, lay them on a flat and stable surface.

**4.4.1.3** Make sure the delivery contents are complete and free of any damage. If you find that parts are missing or show damage, do not use the appliance but contact your dealer.

**4.4.1.4** Clean the upper cover, middle base, cutting discs, drain disc and other parts which contact with food.

**BE CAREFUL:** the blade is very sharp. (Use gloves if necessary, not included)

**4.4.1.5** Position the appliance in such a way that the plug is always accessible.

#### 4.4.2 Installation area

The selected machine work setting must be sufficiently lit and have an electric power outlet. The workplace must be sufficiently large, perfectly level and dry. The machine should be installed in non-explosive environments. In any case, installation should be carried out by taking into account any applicable industrial safety regulations in force.

#### 4.4.3 Assembling instructions

**Attention:** Always unplug the appliance from the electrical power outlet before starting assembling or disassembling.

**4.4.3.1** Place middle base onto bottom base as Figure 1, and use your left hand to move the middle base in arrow direction.

**4.4.3.2** Make sure the middle base is located onto bottom base properly and securely, as shown in Figure 2.

**4.4.3.3** Put the drain disc and cutting disc into output axis, as shown in Figure 3.

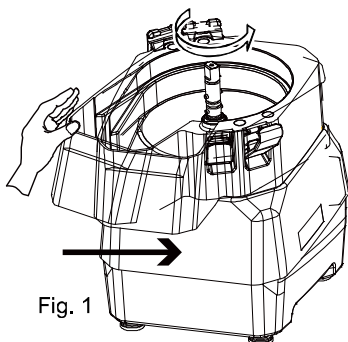


Fig. 1

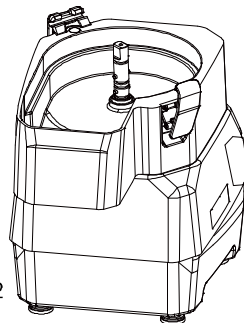


Fig. 2

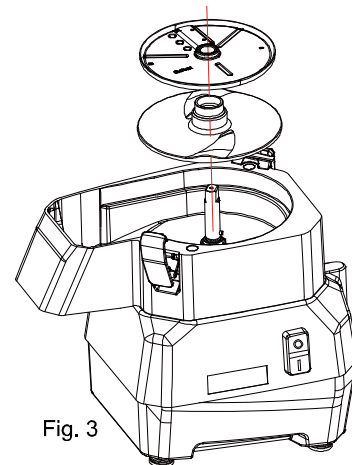
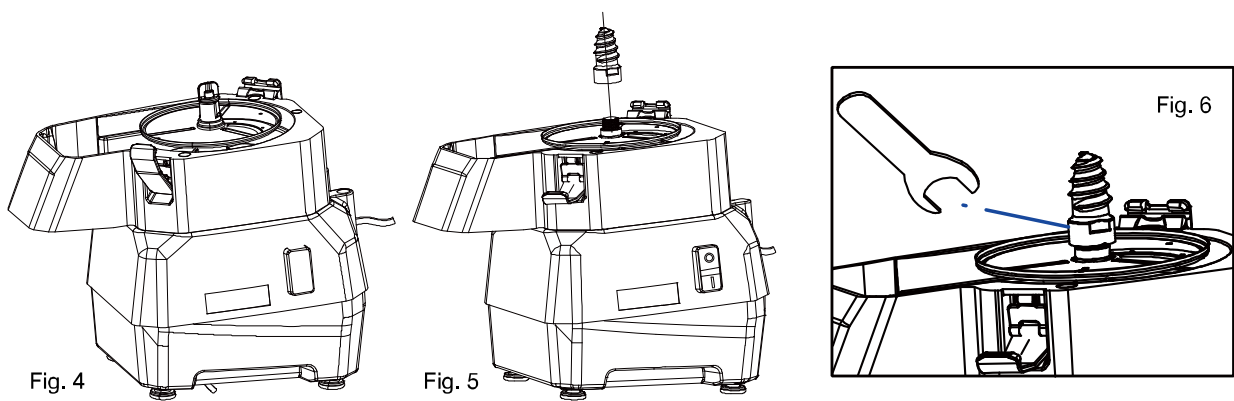


Fig. 3

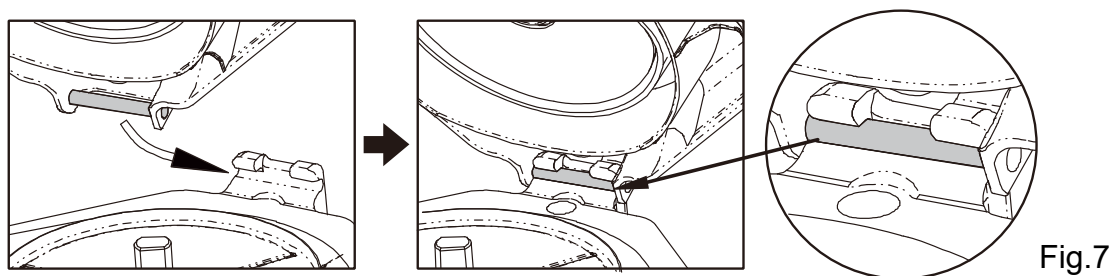
**4.4.3.4** Model GEA4, Insert locking nut and tighten it with, as shown in Fig.4





**4.4.3.5** Model GEA4, insert locking nut and tighten it with, as shown in Fig. 5 and Fig.6.

**4.4.3.6** Insert the pin of the upper cover into locking position of middle base, as shown in Fig.7.



**4.4.3.7** Press down the upper cover and buckle the fastener securely, as shown in Figure 8.

**4.4.3.8** Model GEA4K, lift the arm up and down to check whether the machine is in good condition. as shown in Figure 9.

**4.4.3.9** Model GEA4, insert the arm into shaft, as shown in Figure 9.

**4.4.3.10** Model GEA4, turn the arm anticlockwise and clockwise to check whether the machine is in good condition. as shown in Figure 11.

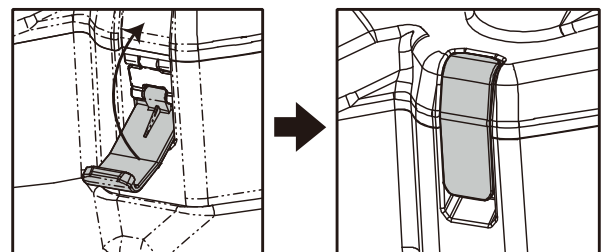


Fig.8

**4.4.3.11** Model GEA4, when you only use small cylinder feeder, press down the arm, lock the small hand wheel on the side of the slider block and pull the lock forward. As shown in Figure 12.

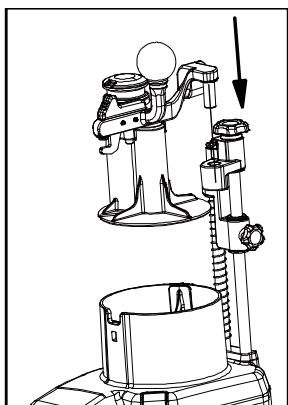


Fig.9

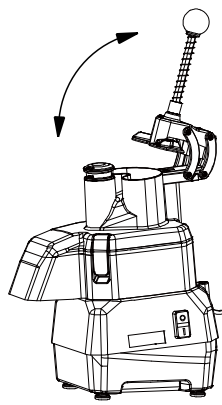


Fig.10

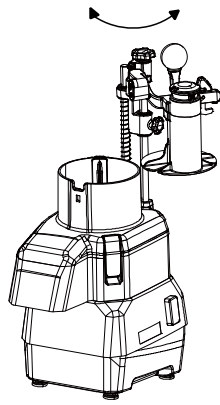


Fig.11

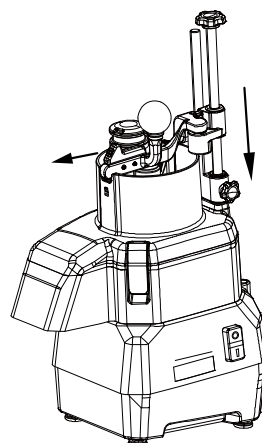


Fig.12

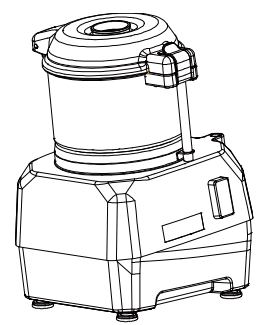


Fig.13

\* Connect to the power supply and the machine can start working.

\* When you are using two combination applications, please refer to user manual for cutting bowl, do press the slider block to the bottom and lock the handwheel, as shown in Figure 13 .

#### 4.4.3.12 Method of installation and cleaning of dicing disc

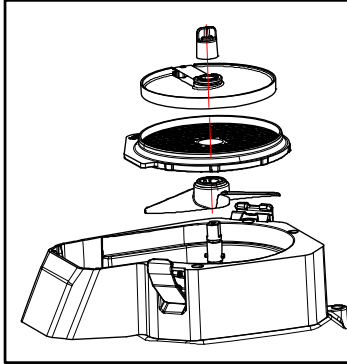


Fig.14

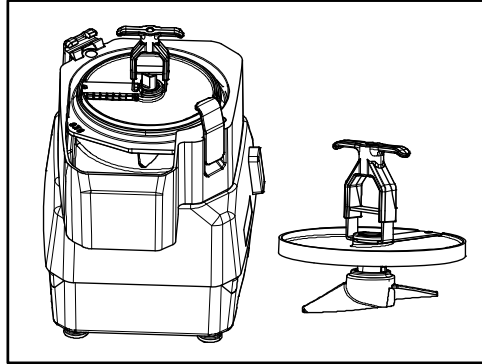


Fig.15

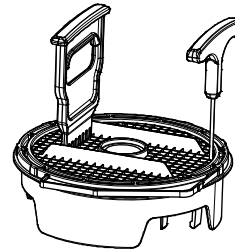


Fig.16

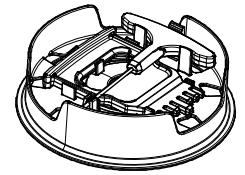


Fig.17

1. When using the dicing function, place the ejector and disc on the output shaft, as shown in Figure 14. When the center of the disc blocks the pin, press down all the way and turn clockwise, then install the gland.

om of the tray can store the cleaner, as shown in Figure 17.

#### 4.4.3.13 Safety micro switches

- a) The appliance is equipped with two safety micro switches. These switches cut off the power supply during operation, if the handle is lifted up beyond a certain distance or the cover is opened.
- b) If the power is cut off after the handle was lifted, simply lower the handle again to restart the appliance.
- c) If the power is cut off because the cover was opened, the cover must be closed and locked, then press the ON button again in order to restart the appliance. It will not restart if you only close the cover again.

#### 4.4.3.14 Checking the direction of rotation

Before you start with the operation, you should make sure that the shaft is rotating in an anticlockwise direction. Otherwise, the cutting blades on the discs will not cut the vegetables.

#### 4.4.4 Electric connection

**DANGER-CAUTION:** Electric connection to the power outlet should be operated by skilled personnel. Check for the perfect efficiency of the plant grounding system. Make sure that the line voltage (V) and frequency (Hz) correspond to the machine ratings (refer to the machine identification plate and wiring diagram). The machine comes equipped with an electric cable with plug. Plug the machine into a main wall switch with differential.

## 4.5 OPERATING

### 4.5.1 Preparation

- 4.5.1.1 Make sure the appliance is unplugged from the electrical power supply and check if the “cutting disc” is properly placed inside the appliance.
- 4.5.1.2 Before you start with the operation, you should make sure that the shaft is rotating in an anticlockwise direction. Otherwise, the cutting blades on the discs will not cut the vegetables.
- 4.5.1.3 Prepare vegetable appropriately sized pieces for cutting.
- 4.5.1.4 Place the appliance on a on a horizontal, stable, dry and heat resistant surface with 4 suction cup rubber feet firmly placed on the surface.
- 4.5.1.5 Place a plate underneath the appliance delivery chute to catch the vegetable as it falls.

### 4.5.2 Operating

- 4.5.2.1 Connect the power plug to a socket outlet.
- 4.5.2.2 Place a suitable container under the delivery chute.
- 4.5.2.3 Lift the handle and feed the vegetables into the big feed chute or remove the pusher and feed the vegetables into the small feed chute.
- 4.5.2.4 Press the ON button with your right hand. The operating light in the ON button will light up and the appliance will start working. Lightly push the handle or the pusher down with your left hand to push the vegetables onto the cutting blades.

**Warning! Never push the vegetables down with your hand or fingers, no matter which feed chute you are using. Always use the handle or the pusher.**

**Warning! Do not use the pusher for the big feed chute, as it might be damaged and move uncontrollably, which may lead to damaging of the appliance or personal injury.**

- 4.5.2.5 When the vegetables are fully cut, lift the handle or pusher up. If you lift the handle, the appliance will stop automatically. The operating light will stay illuminated. If you only fill vegetables into the small feed chute, you need to push the OFF button for the appliance to stop. The operating light will go out.
- 4.5.2.6 Proceed feeding more vegetables into the feed chutes until your vegetables are fully used up. If you use the big feed chute, the handle now only needs to be moved down for the appliance to restart. If you are only using the small feed chute, push the ON button to start the appliance; the operating light will light up.
- 4.5.2.7 When you are finished, press the OFF button, unplug the appliance and clean it.

## 4.6 Cleaning

4.6.1 It is important to keep the appliance clean and in good working condition to ensure optimum quality of the products and long life of the appliance.

4.6.2 Never immerse the appliance in water or other liquids.

**4.6.3** To clean the motor housing, unplug the appliance and clean with a damp cloth or sponge with some mild soap solution. Dry with a dry cloth.

**4.6.4** Never use abrasive sponges or detergents, steel wool or metal utensils to clean the interior or exterior parts of the appliance.

**WARNING:** Take care during cleaning when handling the rollers due to its sharp edges. Wear protective gloves (not supplied) if necessary.

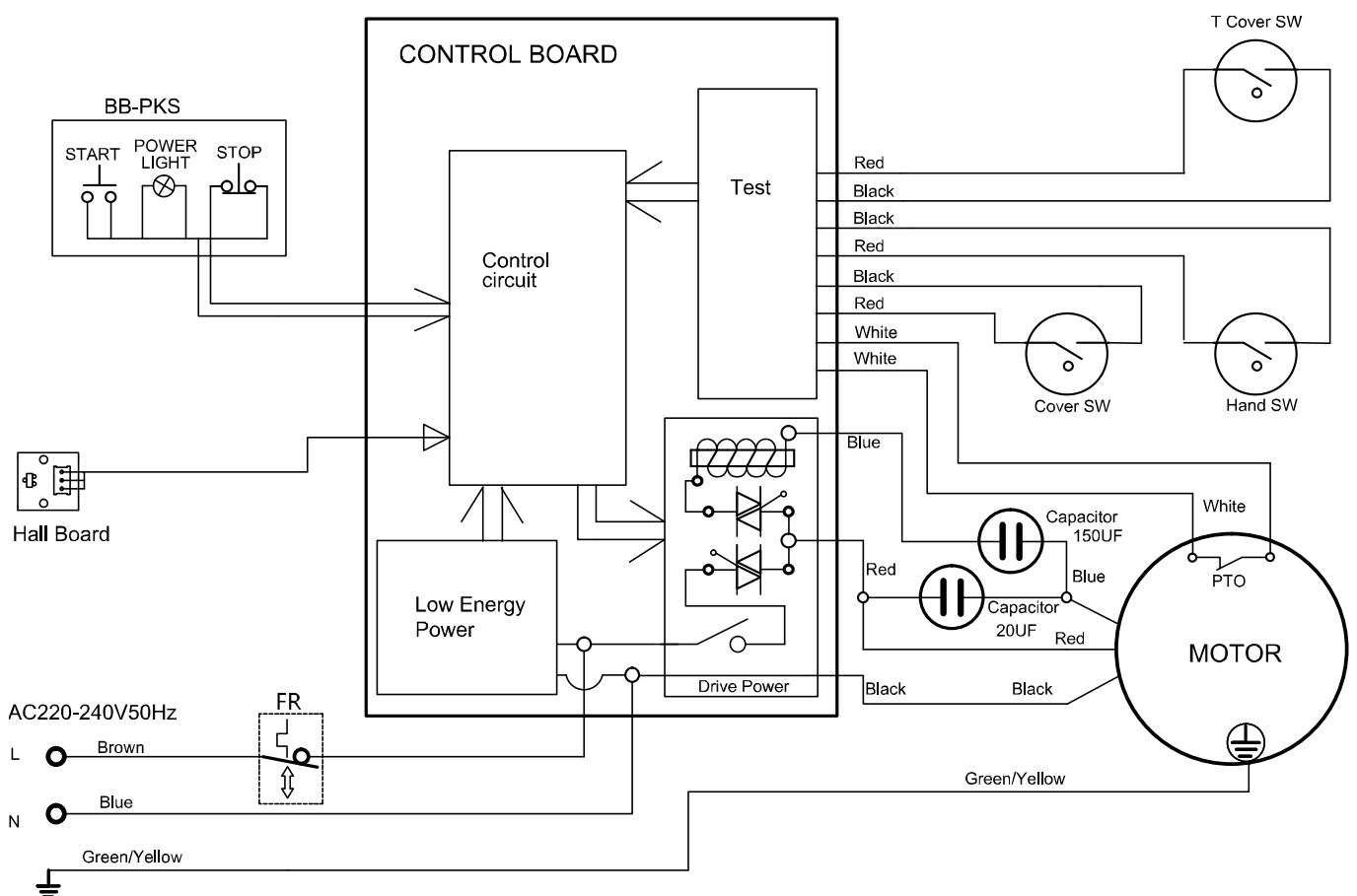
## 4.7 Storage

**4.7.1** Before reassembling, make sure that all parts are dry. Before storing, remove all residues from the appliance (incl. the basins), disconnect it from the supply and clean the appliance and its accessories thoroughly. Use white Vaseline oil (or any similar product) to protect all parts of the device.

**4.7.2** Keep the bowl cover open and make appliance ventilated, to avoid smell or moldy.

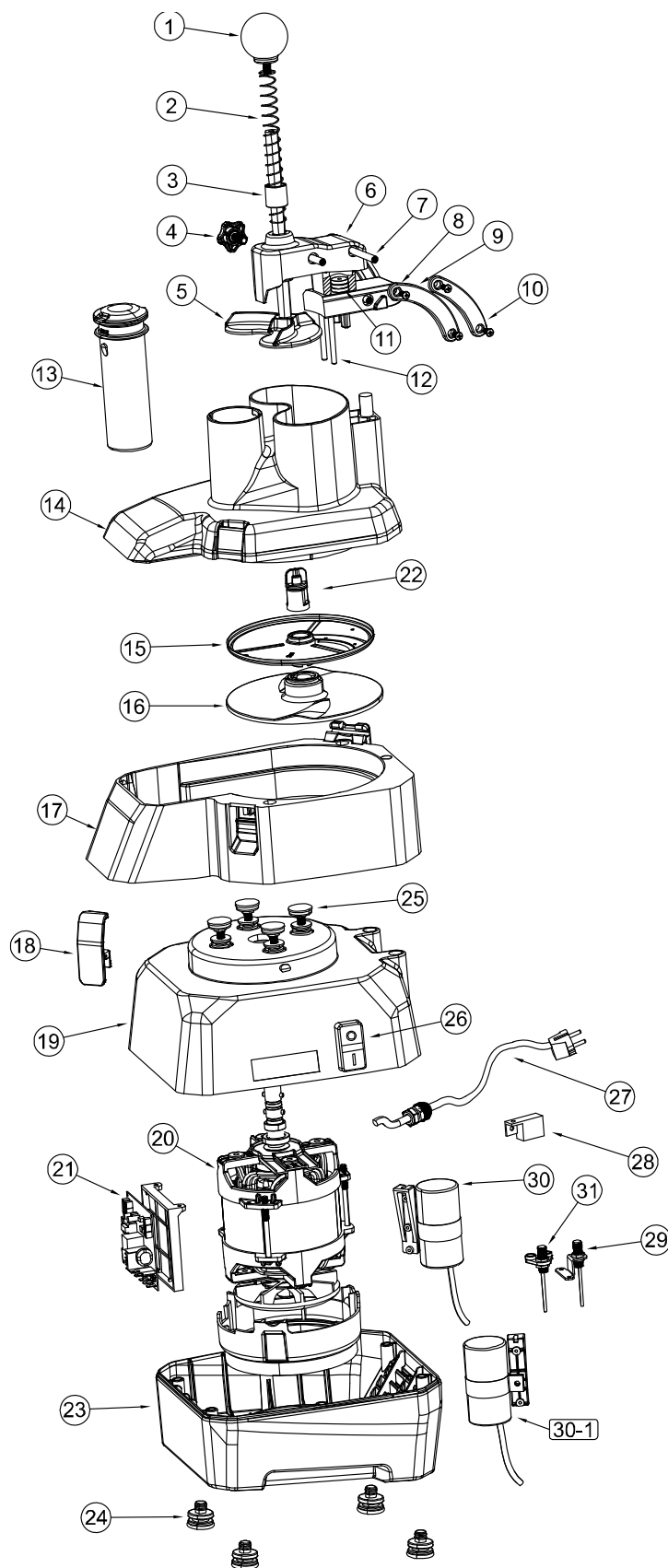
**4.7.3** To protect the appliance from dust, cover it with a cloth that allows air circulation inside the appliance.

## 5 CIRCUIT DIAGRAM



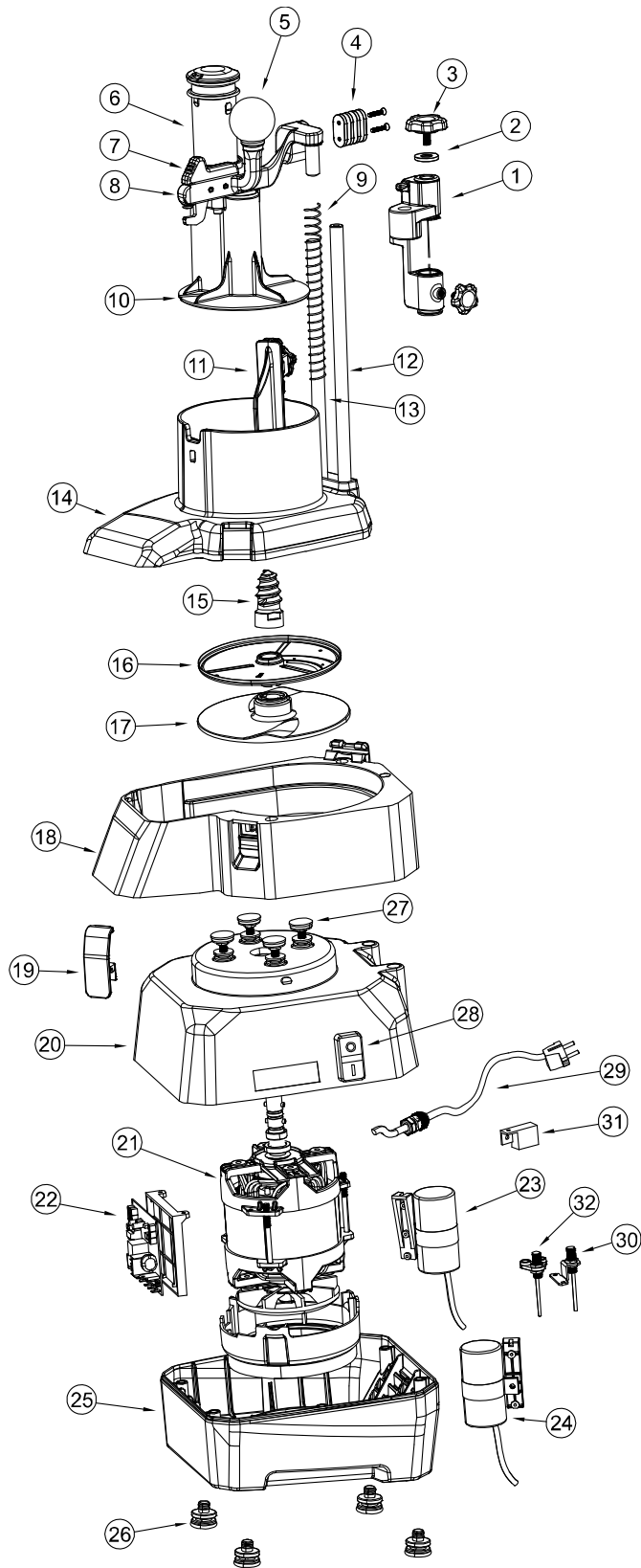
## 6 EXPLODED VIEW AND PARTS LIST

### GEA4K



No.	Name
1	Handle knob
2	Spring
3	Limit sleeve
4	Handwheel
5	Pressing plate
6	Pusher guide
7	Connection rod
8	Connection rod support
9	Front linkage
10	Rear linkage
11	Magnet
12	Screw
13	Pusher
14	Upper cover
15	Disc
16	Drain disc
17	Middle base
18	Fastener
19	Motor upper cover
20	Motor
21	Circuit board
22	Locking nut
23	Motor base
24	Rubber pad
25	Bolt cover and bolt
26	On-off switch
27	Power cord
28	6A Circuit breaker(220V Only)
29	Microswitch
30	300V 150µF Capacitor
30-1	450V 25µf Capacitor
31	Microswitch

# GEA 4



No.	Name
1	Slider block
2	Washer
3	Handwheel
4	Magnet
5	Handle knob
6	Pusher
7	Arm fastener
8	Arm
9	Spring
10	Pressing plate
11	Striker plate
12	Long inductive rod
13	Short inductive rod
14	Upper cover
15	Locking nut
16	Disc
17	Drain disc
18	Middle base
19	Fastener
20	Motor upper cover
21	Motor
22	Circuit board
23	300V 150µF Capacitor
24	450V 25µF Capacitor
25	Motor base
26	Rubber pad
27	Bolt cover and bolt
28	On-off switch
29	Power cord
30	Microswitch
31	6A Circuit breaker(220V Only)
32	Microswitch