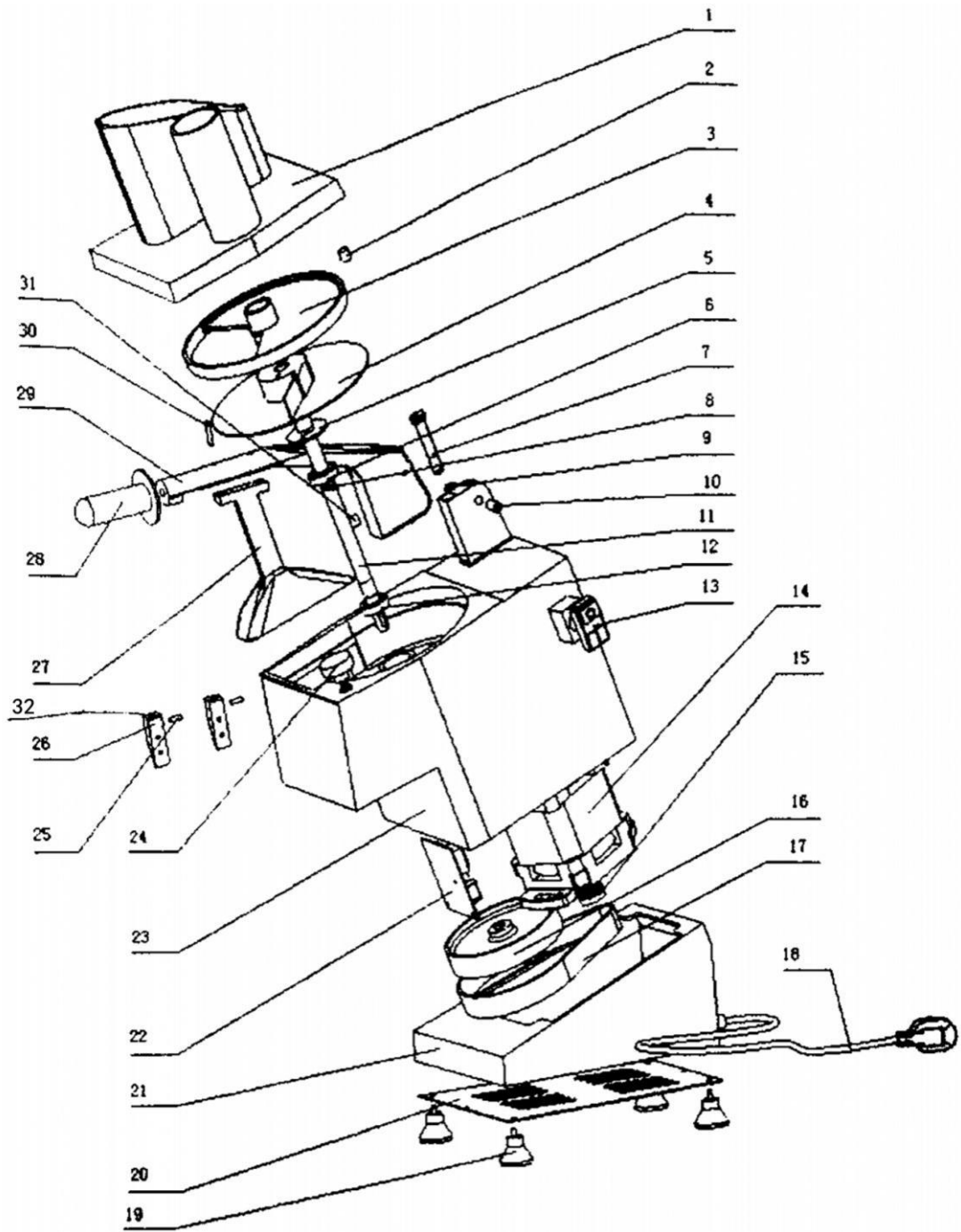


**EXPLODED DRAWING OF VEGETABLE CUTTER GSH300**



Part code	Parts Name
300A-1	Input body
300A-2	Magnetic steel
300A-3	blade
300A-4	drain disc
300A-5	central spindle
300A-6	
300A-7	
300A-8	
300A-9	
300A-10	
300A-11	
300A-12	
300A-13	switch
300A-14	motor
300A-15	
300A-16	belt wheel
300A-17	belt
300A-18	wire
300A-19	leg
300A-20	bottom
300A-21	seat
300A-22	electric board
300A-23	body
300A-24	locker
300A-25	pin
300A-26	stand
300A-27	pressor
300A-28	handle
300A-29	grip
300A-30	screw for grip
300A-31	Magnetic steel
300A-32	nylon stopper