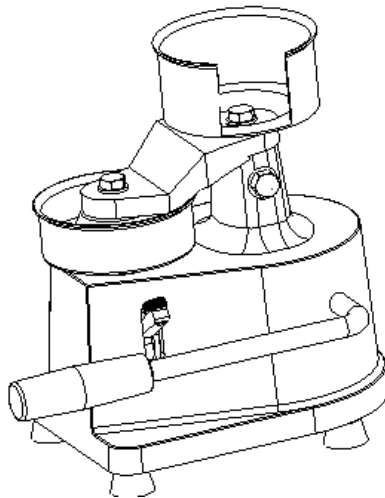


## OPERATION INSTRUCTIONS

### HAMBURGER MACHINE



HMH100 / HMH130 / HMH150

#### INSTALLATION

- Install the machine onto a solid, stable, non-slip surface. This area should be large enough to allow easy access & cleaning.
- Put the cellophane discs into the holder at the top of the machine.

#### USE

- Put one cellophane disc into the holder.
- Then place a small quantity of minced meat, according to the thickness required
- Place another cellophane disc on the meat.
- Pull the lever down to form the hamburger.
- Lift the lever, which will lift the hamburger for easy removal.

#### CLEANING

Carefully clean the machine with damp cloth and then wipe off with a dry cloth.