

CODE: 0840.16010.10

POTATO CHIPPER

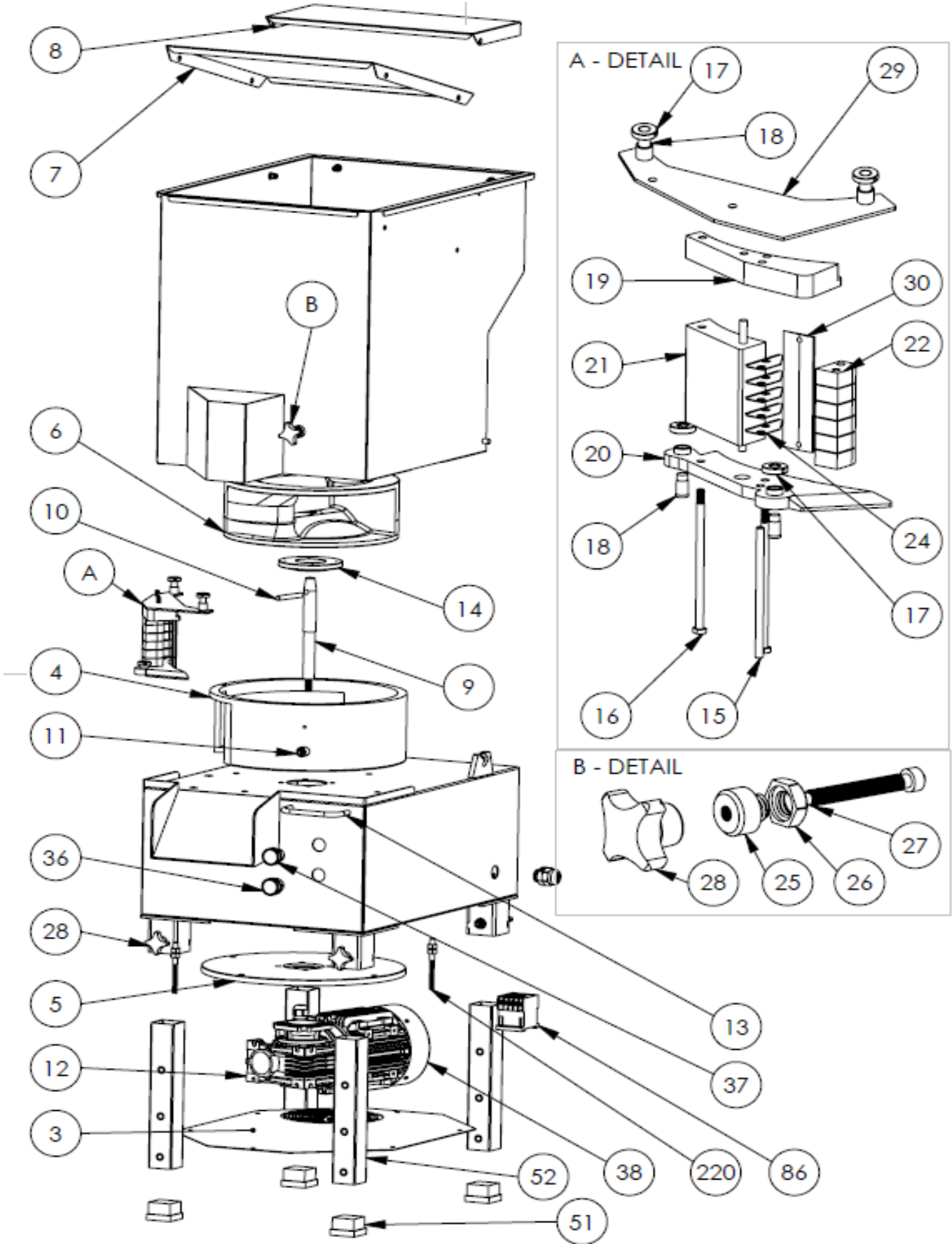
Model: KSNEOZ

ver.23.5

Date:05.2023

SPARE PART LIST

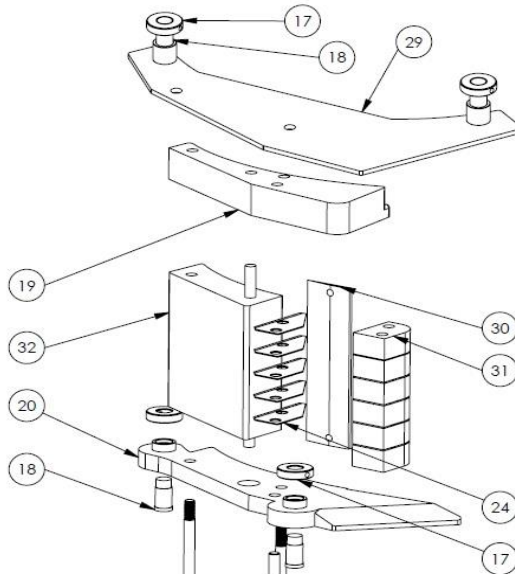
Spare Part Item Code	Item Name	Picture Id.	Price	Curr.
2KLP.460.28406008.9.01	SHAFT PIN	10		
2KLP.460.28406007.9.01	UPPER BODY LOCKING NUT	11		
626.100.029.023	REDUCTOR 0.37 KW-1400/178 RPM EV040.03-71M4C I8	12		
6261.00029.55	MOTOR 0.37 KW 1400 RPM 71 TP MONOPHASE 50 Hz B14	38		
2840.16010.08	HANDLE	13		
2KLP.460.28406009.9.01	DRUM SHAFT FLANGE	14		
2KLP.460.28406010.9.01	PIN FOR BLADE BLOCK GROUP	15		
2KLP.460.28406015.9.01	PIN FOR BLADE BLOCK GROUP	16		
2KLP.460.28406012.9.01	NUT FOR BLADE BLOCK GROUP -1	17		
2KLP.460.28406013.9.01	NUT FOR BLADE BLOCK GROUP -2	18		
6261.00013.62	UPPER PLASTIC PART OF BLADE BLOCK GROUP	19		
6261.00013.61	LOWER PLASTIC PART OF BLADE BLOCK GROUP	20		
6261.00013.64	MIDDLE PART OF BLADE BLOCK GROUP 10X10MM	21		
6261.00013.59	SEPERATOR PART OF BLADE BLOCK GROUP 10X10MM	22		
6234.00001.77	SENSOR MMS-301-3-3-0500	220		
6261.00016.21	HORIZONTAL BLADES	24		
2KLP.460.28406004.9.01	UPPER BODY LOCKING BUSHING PART	25		
2KLP.460.28406006.9.01	UPPER BODY LOCKING NUT	26		
2KLP.460.28406005.9.01	UPPER BODY LOCKING SCREW	27		
6261.00027.03	UPPER BODY LOCKING HANDLE	28		
2840.560.01016.20	UPPER SHEET OF BLADE BLOCK GROUP	29		
2840.560.01016.21	LOWER SHEET	3		
6261.00016.20	VERTICAL BLADE	30		
6232.00011.13	STOP BUTTON	36		
6232.00011.14	START BUTTON	37		
2840.F1610.05	STAINLESS STEEL DRUM BORDER SHEET	4		
2KLP.460.28406017.9.01	MOTOR SHAFT BEARING 2	5		
2840.F1610.03	ALUMINIUM DRUM	6		
2840.560.01016.19	POTATO GUIDANCE SHEET - 1	7		
2840.560.01016.06	POTATO GUIDANCE SHEET - 2	8		
6230.00014.12	MINI CONTACTOR	86		
2KLP.460.28406001.9.01	DRUM SHAFT	9		
2840.16010.04	BLADE BLOCK GROUP 10x10MM (STANDARD)	A		
2840.16010.03	BLADE BLOCK GROUP 8x8MM	B		
2840.16010.05	BLADE BLOCK GROUP 14x14MM	C		
2840.16010.06	BLADE BLOCK GROUP 14x17MM	D		
2840.16010.09	BLADE BLOCK CRISPY SLICES	E		
6261.00013.58	SEPERATOR PART OF BLADE BLOCK GROUP 8X8MM	31		
6261.00013.63	MIDDLE PART OF BLADE BLOCK GROUP 8X8MM	32		
6261.00013.60	SEPERATOR PART OF BLADE BLOCK GROUP 14X14MM	33		
6261.00013.65	MIDDLE PART OF BLADE BLOCK GROUP 14X14MM	34		
6261.00013.57	SEPERATOR PART OF BLADE BLOCK GROUP 14X17MM	35		
2840.16010.11	ADJUSTABLE MACHINE FEET	52		
6261.00011.00	PLASTIC MACHINE FEET	51		



2840.16010.03 - BLADE BLOCK GROUP 8x8MM

ALTERNATIVE BLADE
BLOCK GROUPS

ALTERNATIVE BLADE
BLOCK GRUPS



2840.16010.05 - BLADE BLOCK GROUP 14x14MM

2840.16010.06 - BLADE BLOCK GROUP 14x17MM

