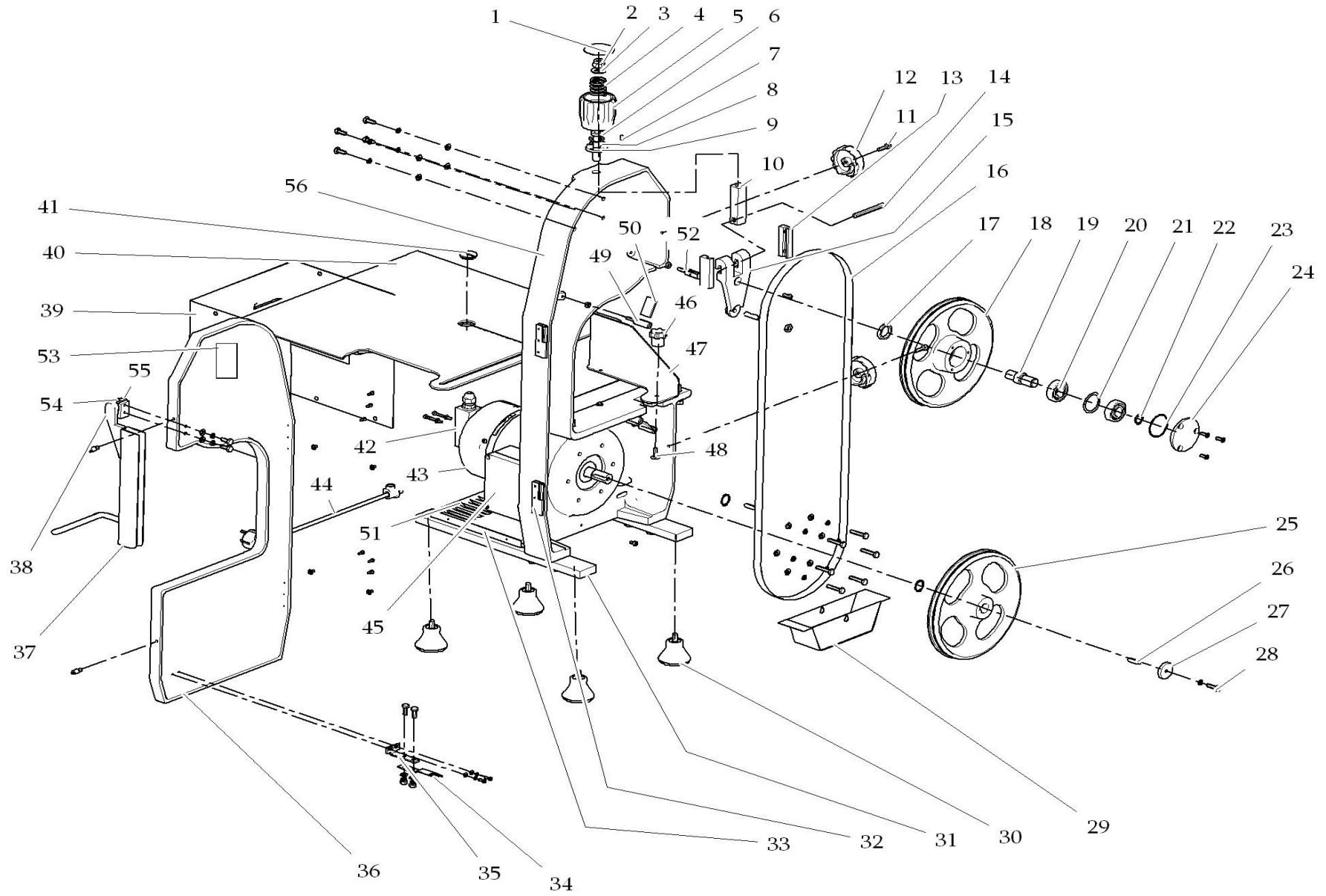


# Exploded Drawing of Bone Saw KSH1650A



Code	Part Name
1	adjusting handle for saw
2	
3	
4	
5	
6	
7	
8	
9	
10	threaded sleeve
11	S/S screw
12	knob
13	guide plate
14	small axis
15	adjusting slider
16	saw
17	rubber sealing
18	wheel
19	spindle for wheel
20	bearing
21	gasket
22	block ring for bearing
23	O ring
24	cover for wheel
25	wheel
26	pin
27	block ring for bearing
28	Hexagonal stainless steel screws

Code	Part Name
29	locker for roumo
30	leg
31	bottom
32	hinge
33	steel supporting
34	bending board
35	supporting for bending board
36	cover for saw
37	protecting for saw
38	seat for shaft
39	cover for motor
40	table
41	saw guide
42	microswitch for cover of saw
43	motor
44	power record
45	electric part
46	handle
47	locring plate
48	locking spindle
49	seat of scraper
50	scraper
51	protecting board for motor
52	guide axis
53	switch
54	seat of protecting for saw
55	shaft
56	body