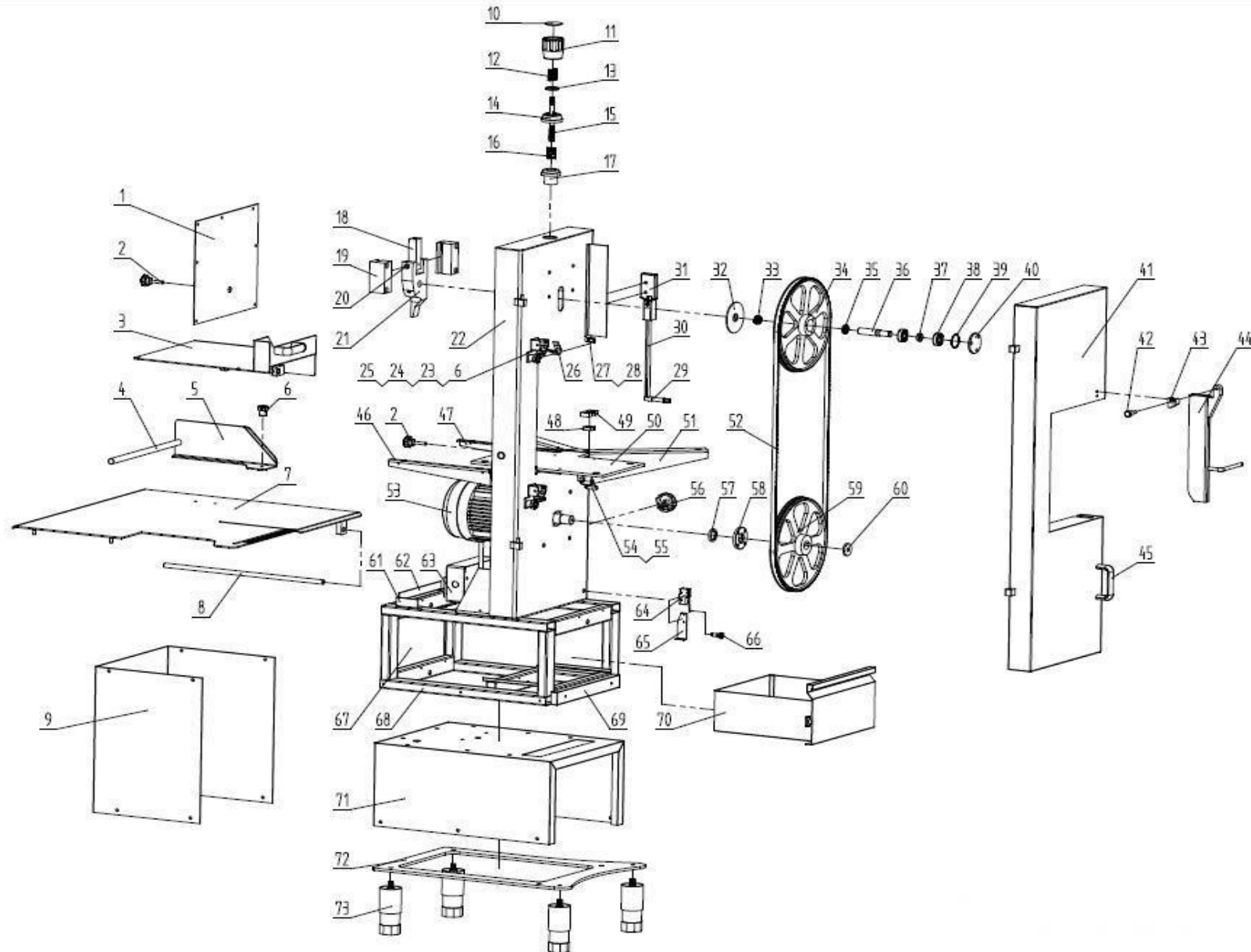


FOR BONE SAW KSH2020 KSH2400



No.	Material Code KSH2020	Material Code KSH2400	Name
1	2. 02HLS2020390701	2. 02HLS2400390601	Cover plate
2	3. 0000073	3. 0000073	Handle
3	2. 02HLS202035	2. 02HLS240032	Sliding countertops
4	2. HLS202056-0000510701	2. HLS240056-0000510701	Locring axis
5	2. 02HLS202030010700	2. 02HLS240030010700	Locring plate
6	3. HLS1650A03070100	3. HLS1650A03070100	Knob
7	2. 02HLS202019Z	2. HLS240019	Table-board
8	2. HLS2020-33100400	2. HLS2400-33100400	Sliding countertops axis
9	2. HLS20203801-0000510701	2. HLS24003801-0000510701	Back Frame
10	2. HLS1650A1207100	2. HLS1650A1207100	Cover
11	2. HLS1650A0602100	2. HLS1650A0602100	Adjusting handle
12	4. 02. 00000047	4. 02. 00000047	Spring
13	2. HLS1650A1301100	2. HLS1650A1301100	End cover
14	3. 0000197	3. 0000197	Sheath
15	2. 02HLS1650120701	2. 02HLS1650120701	Mandrel
16	4. 02. 00000088	4. 02. 00000088	Spring
17	2. HLS2400-01-07100300	2. HLS2400-01-07100300	Tension guide bush
18	2. HLS2020-09120340	2. HLS2400-09120340	Hanging block
19	2. HLS2400-11110200	2. HLS2400-11110200	Cullis
20	2. HBS250A000000002	2. HBS250A000000002	Sliding shaft
21	2. 02HLS2400100200	2. 02HLS2400100200	Slider
22	2. HLS20200000	2. 02HLS240001	Body
23	2. 02HLS202023010701	2. 02HLS202023010701	Holder
24	2. 02HLS202023020601	2. 02HLS202023020601	Cleaning shell
25	2. 02HLS2020230301	2. 02HLS2020230301	Clean sheet
26	2. HLS1650060701	2. HLS1650060701	Angle block

27	2. HLS1650A31-01100400	2. HLS1650A31-01100400	Guiding shaft
28	3. HLS1650A3102020301	3. HLS1650A3102020301	Guide plate
29	2. HLS2400-34-02100300	2. HLS2400-34-02100300	Guiding shaft (circle)
30		2. HLS2400-34-01100400	Sliding square track
31	2. 02HLS2020230301	2. HLS2400370202	Mobile protective cover
32	2. HLS1650A3407100	2. HLS2400-06-01100400	Manger board
33	2. 02HLS202035	2. HLS24000602-0000511001	Pressure spring
34	2. 02HLS2020390701	2. HLS24000201	Belt wheel 1
35	3. HBS30000921070100	4. 01. Y20280523	Oil seal
36	2. HLS2020-34-01100400	2. HLS2400-05100300	Axis
37	3. 0000066	3. 0000066	Spacer
38	4. 01. 6203GBT294166	4. 01. 6203GBT294166	Bearing
39	3. 0000196	3. 0000196	O-Rings
40	2. HLS16501602100	2. HLS16501602100	Gland 1
41	2. HLS2020A29A-0010510701	2. HLS2400A29A-0010510701	Door closure with drawer
42	2. 02HLS240031030701	2. 02HLS240031030701	Spindle
43	2. HLS24005202100	2. HLS24005202100	Protect tooth holder
44	2. 02HLS202031Z	2. 02HLS240031Z	Protect tooth plate
45	3. HBS30000921070100	3. HBS30000921070100	Handle
46	2. 02HLS202019040701	2. 02HLS240019040701	Angle iron right
47	2. 02HLS202019020701	2. 02HLS240019020701	Angle iron
48	3. 0000173	3. 0000173	Nylon block
49	2. HLS2400-22-01110200	2. HLS2400-22-01110200	Guide block (square)
50	2. 02HLS202001100101	2. 02HLS240001100701	Table-board support plate
51	2. 02HLS2020200701	2. 02HLS2400200701	Support plate
52	7. 08. 03. 0152020	7. 08. 03. 0152400	Saw
53	1. 04. 19001413201	1. 04. 18001614112	Motor
54	2. HLS1650A38-100400	2. HLS1650A38-100400	Meat scraper seat

55	2. HLS1650A390001	2. HLS1650A390001	Meat scraper
56	3. HLS1650A03020101	3. HLS1650A03020101	Handle
57	4. 01. FB25400721	4. 01. FB25400721	Skeleton oil seal
58	2. HLS240052-0000511801	2. HLS240052-0000511801	Waterproof flange
59	2. HLS20200300	2. HLS240003A0710510	Belt wheel 2
60	2. HB350-0246120140	2. HB350-0246120140	Washer
61	2. 02HLS240024030701	2. 02HLS240024030701	Baseboard
62	2. HLS202049-0000510701	2. HLS202049-0000510701	Angle steel
63	3. 00004	3. 00004	Electrical box
64	1. 05. 035011YBLXW-5/11N1	1. 05. 035011YBLXW-5/11N1	Micro Switch
65	2. 02HLS165014060701	2. 02HLS165014060701	Micro switch bracket
66			control button assembly
67	2. 02HLS202021050601	2. 02HLS240021050601	Side panel 2
68	2. HLS2020A21A01-0000510700	2. HLS2400A21A01-0000510700	seat with drawer
69	2. HLS2020A21A07-0000510701	2. HLS2400A21A07-0000510701	Front side panel
70	2. HLS2020A21A08-00005101	2. HLS2400A21A08-00005101	Drawer
71	2. HLS2020A21A02-0000510701	2. HLS2400A21A02-0000510701	Undercover
72	2. 02HLS2020480100	2. 02HLS2400480101	Baseboard
73	2. HLT153602030101	2. HLT153602030101	Mat