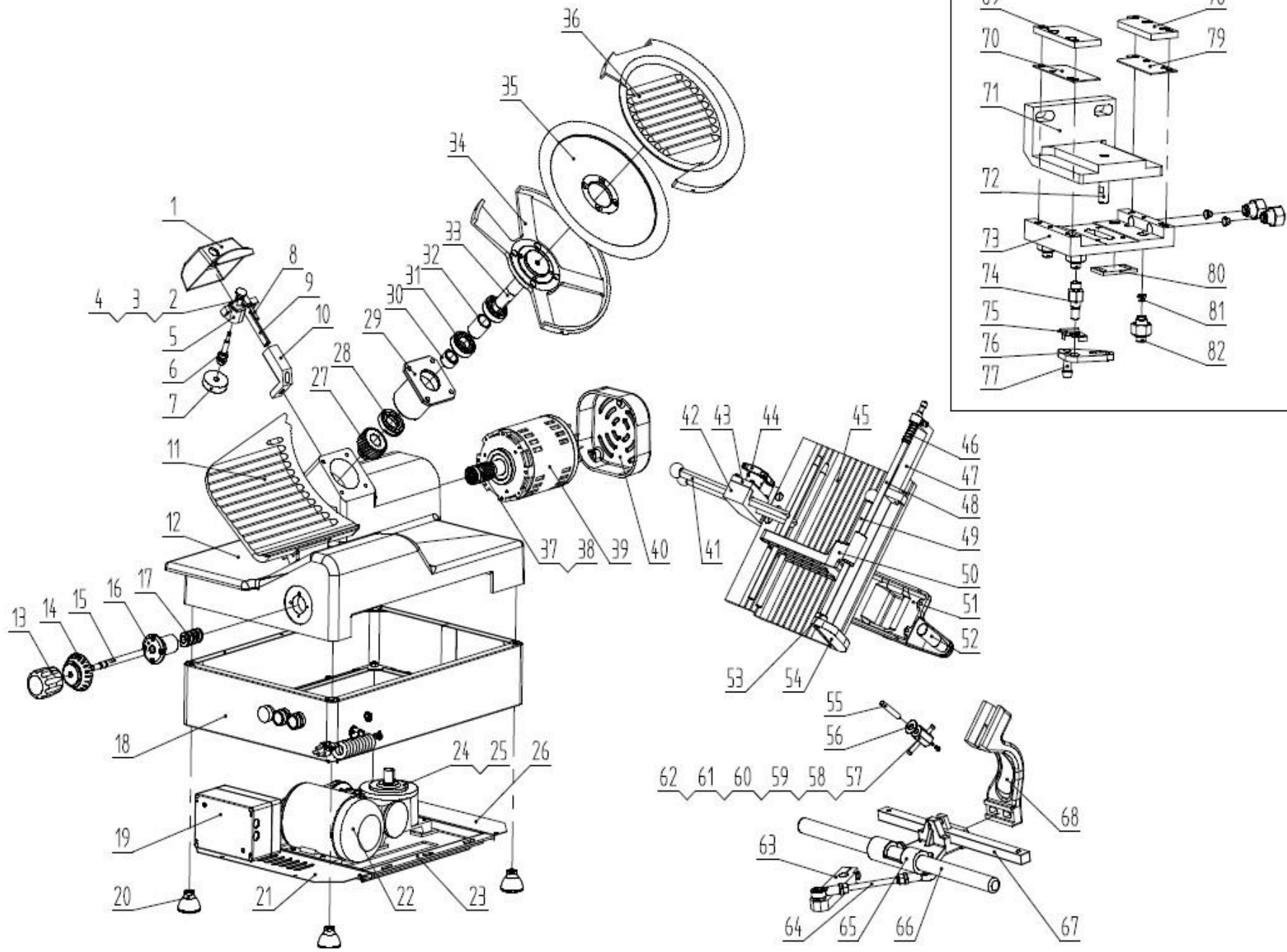


EXPLODED DRAWING AAMH320



PART NO..	Material Code	DESCRIPTION	PART NO.	Material Code	DESCRIPTON
1	2.HB320073102100	GRINDING COVER	42	2.HB300053702100	PRESS BELOW- BRACKET
2	2.HB320-0744120340	KNOB	43	2.HB320053602100	PRESS FACE- BRACKET
3	2.HB320-0741120140	SLEEVE	44	3.HJ2240070100	HANDLE
4	2.HB320-0742120140	SQUARE NUT	45	2.HB320053202100	CARRIER
5	2.HB320-0711220240	WHEEL HOLDER	46	4.02.00000046	SPRING
6	2.HB320-0743120140	GRINDING WHEEL SPINDLE	47	2.HB300053502100	UPPER BRACKET OF SLIDER BAR
7	7.08.02.0000008	GRINDING STONE	48	2.HB320-0545100400	SLIDER BAR
8	2.HB320-0746120340	LIMIT SHAFT	49	2.HB320-0544120340	HANDLEBAR
9	2.HB320-0745120340	LOCATING SHAFT	50	2.HB32005110100	PRESSER
10	2.HB320073202100	STAND OF SHARPENER	51	2.HB320053102100	PEDESTAL
11	2.HB320013402100		52	2.HBS25005980200	MOVEMENT HANBLEBAR
12	2.HB3200131102100	WORK TABLE	53	2.HB320-0591700000	SOFT GASKET
13	2.HLQ350A05000102100	HANDLEBAR-1	54	2.HB300053402100	LOWER BRACKET OF SLIDE BAR
14	2.HB32006511402100	DIAL	55	2.HB320-0553120340	STUD
15	2.HB320-0651120340	HANDLESHAFT	56	2.HB320-0542120240	GASKET
16	2.HB320-0611220200	SUPPORT	57	2.HB320-0541120340	NUT
17	2.HB320-0641120340		58	2.HB320-0543120340	HANBLEBAR
18	2.HB320044107100	BOTTOM BORDER	59	2.HB320-0551120340	END CAP
19	1.03.00050005	ELECTRIC BOX	60	4.02.00000084	SPRING
20	2.HBS30010001110100	FOOT	61	4.01.04GBT308	STEEL BALL
21	2.HB320-004210100	BASEBOARD 2	62		
22	1.04.08001304100	MOTOR	63	2.HB320031301100	CRANK
23	2.HB320034101100	BASEBOARD	64	4.01.SI12EGB/T9161166	ROD END JOINT BEARING
24	1.04.JSJ3200001	SLOWDOWN	65	2.HB320-0111120400	SLIDING FRAME

25	4.01.03GBT117110500001	BELT	66	2.HB320-0144120100	POLISH ROD
26	2.HB320004110100	BASEBOARD 1	67	2.HB320-0244120180	SQUARE ORBIT
27	2.HB320-0231120200	SLIDING BRACKET	68	2.HB320013202100	STAND OF SLIDING FRAME
28	2.HB320-00120190	SHAFT COVER	69	2.HB320-0653120200	LEFT PRESSING PLATE
29	2.HB320-0211120490	KNIFE POUCH	70	2.HB320000001	ADJUSTMENT PLATE
30	2.HB320-0244120140	BUSHING	71	2.HB320063202100	UPPER SLIDING BASE
31	4.01.6205GBT294166	DEEP GROOVE BALL BEARING 6205	72	2.HB320-0647120140	PIN ROLL
32	2.HB320-0242120340	SHEATH	73	2.HB320-0614120400	UNDER SLIDING BASE
33	2.HB320-0241220190	BALDE SHAFT	74	2.HB320-0646120140	AXLE
34	2.HB320013302100	DISC	75	2.HB320064801100	SPRING
35	2.DP320582101100	BLADE	76	2.HB320-0642120180	DIHEDRAL SLIDING FRAME
36	2.HB320003102100	BLADE COVER	77	2.HB320-0649120200	SCREW
37	4.01.6202GBT294166	DEEP GROOVE BALL BEARING 6202	78	2.HB320-0652120200	RIGHT PRESSING PLATE
38	2.HB320-0141120200	WORM	79	2.HB320000001	ADJUSTMENT PLATE
39	1.04.07001304100	MOTOR(BLADE)	80	2.HB320-0643120240	ADJUSTMENT PRESSING PLATE
40	2.HB3200033A02100	COVER OF MOTOR	81		
41	2.HB300054701100	PRESS STICK	82	2.HB320-0650120340	ADJUSTING SCREW