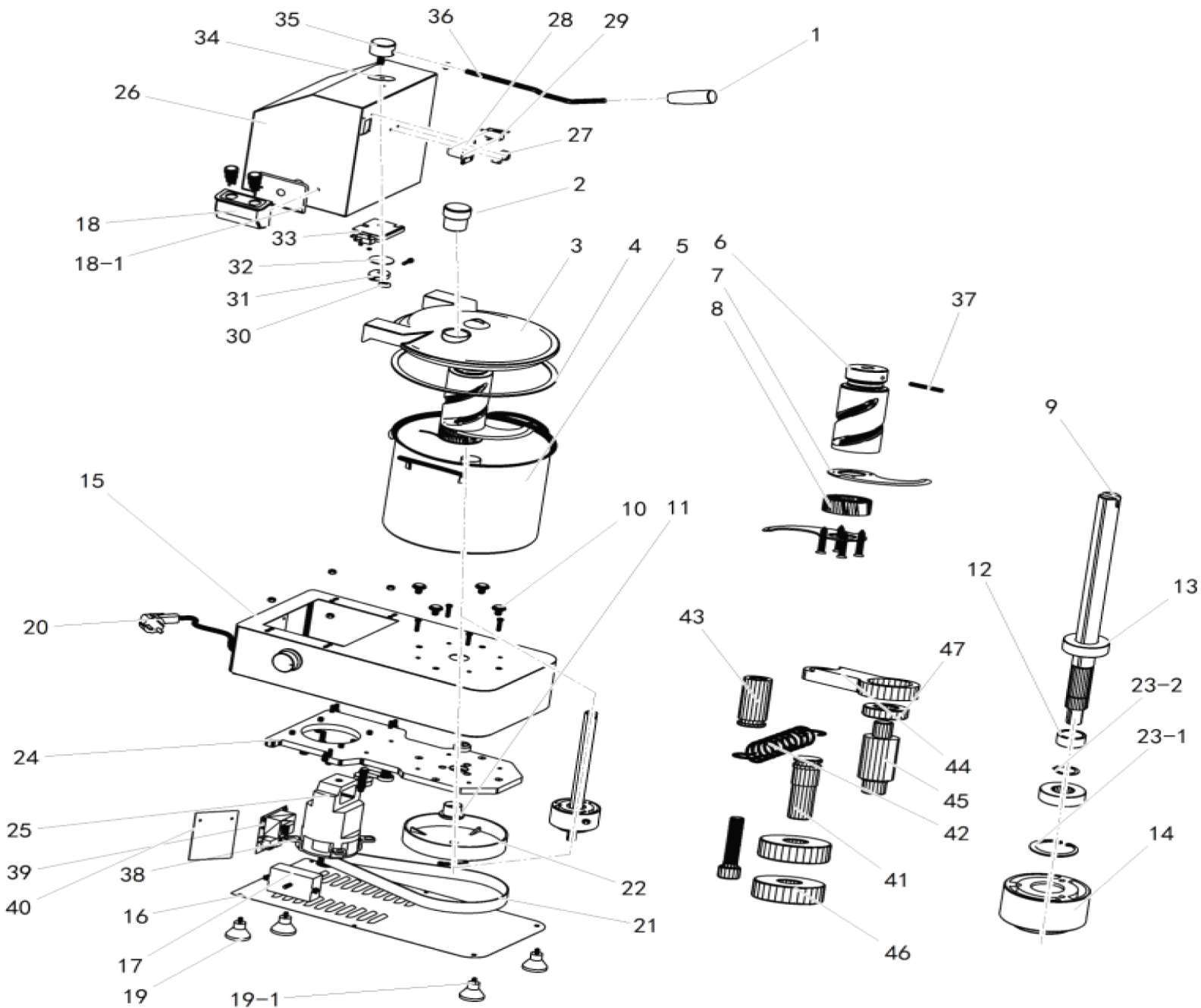


Cutting machine-Explode drawing



No	Description	No	Description	No	Description	No	Description
1	Handle	13	Bearing	25	MotorMotor belt wheel	37	Dowel
2	Chuck plug	14	Blade shaft	25-1		38	Motor holder
3	PC cover	15	Base seat component	26	Welding	39	Circuit board
4	Water-proof gasket	16	Base board	27	Limited block	40	Installation board
5	container	17	Knob	28	Front switch holder	41	Tension wheel shaft
6	Up tool apron	18	Switch box	29	Sure model switch	42	Tension spring
7	Rotate knives	18-1	Seal bar	30	Big nut	43	Small shaft
8	Down tool apron	19	Feet	31	Cam	44	Tension wheel arm
9	Blade shaft	19-1	Rubber feet	32	Big gasket	45	Wheel shaft 2
10	Rubber gasket	20	Power cable	33	Up switch holder	46	Bearing 6200
11	Locating sleeve	21	Belt	34	Nylon gasket	47	Bearing 6800
12	Spacer bush	22	Big belt pulley	35	Handle seat		
		23-1	Internal circlips Ø42	36	Compression bar		
		23-2	External circlips Ø20				
		24	Main board				