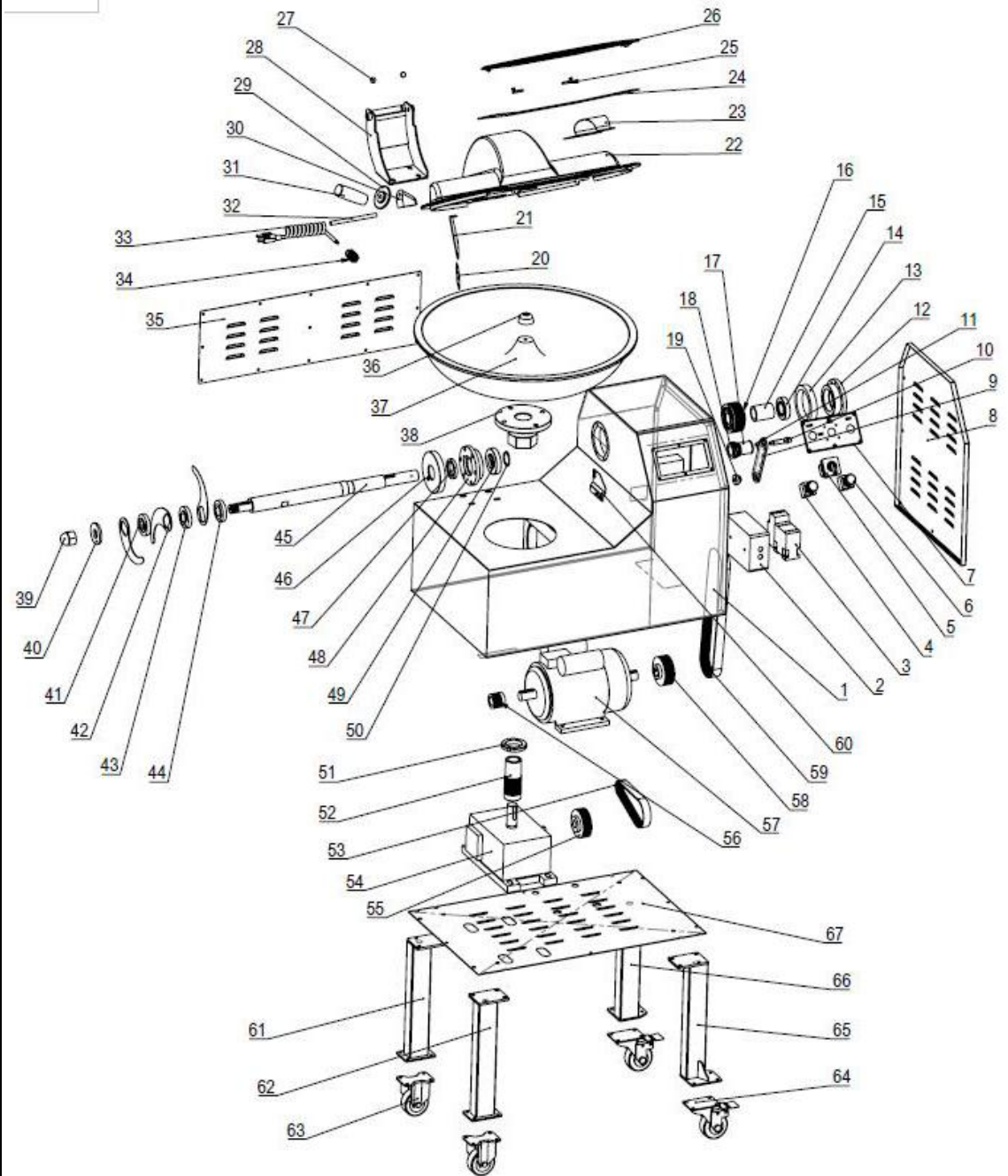


# Exploded Drawing for HCH2010

No.	Material Code	Name	QTY
1	2. HLQ2001-0000511601	Frame	1
2	3. 00004	Electrical box	1
3	1. 05. 07033010002	AC contactor	1
4	1. 05. 015111HB320	Button switch	1
5	1. 05. 105211LA42J01/RS	Transfer switch	1
6	1. 05. 015211HB320LAY16	Button switch	1
7	2. HLQ20L2103-0001510901	Switch box panel	1
8	2. HLQ20L10-0000510701	Right cover plate	1
9	2. HLQ20L1100-0000511600	Belt roller support plate	1
10	2. HLQ20L1103-0000511501	Belt roller shaft	1
11	4. 01. D08GB89611	Retaining ring	1
12	2. HLQ20L1412-00005101801	Knife shaft rear support seat	1
13	2. HLQ20L0115-00005101601	Support seat barrel bottom	1
14	4. 01. 6206_2RSGBT294166	Deep Groove Ball Bearing	1
15	2. HLQ20L1408-00005101501	Bearing spacer sleeve	1
16	2. HLQ20L1409-00	Knife shaft drive belt	1
17	2. HLQ20L1101-0000511501	Pressure belt wheel	1
18	4. 01. 6001GBT294166	Deep Groove Ball Bearing	2
19	2. HLQ20L1104-0000511501	Fixed sleeve	1
20	2. HLQ2021102100	Soft scraper	1
21	2. HLQ2021-0000510901	Scraper	1
22	2. HLQ2019-0001511801	lid	1
23		Pot cover feeding port	1
24		Pot cover protective plate	1
25	3. HLQ203726010009000	Protective cover plastic support	2



26	2. HLQ2036-0000510601	protection cover	1	
27	7.08.04.00316	Nylon column	2	
28	2. HLQ2018-0001511801	cover support seat	1	
29	2. HLQ350A10102902100	Disc wheel	1	
30	2. HLQ350A10102702100	Mobile handle seat	1	
31	2. HLQ350A10102802100	Mobile handle	1	
32	2. HLQ2020-0000510601	Rotating shaft	1	
33	1.01.01.19231101	Power cord (including plug)	1	
34	1.03.00040006	Unable to pull off (M16 * 1.5)	1	
35	2. HLQ20L09-0000510701	Rear cover plate	1	
36	3. HLQ2025010009000	Support block	1	
37	2. HLQ2015-0001511801	Pot	1	
38	2. HLQ2016-00005101901	Support seat	1	
39	2. HLQ140407-0000510701	Locking nut	1	
40	2. HLQ20L1410-00005101501	Shaft end gasket	1	
41	2. HLQ20L1403-0001511801	Knife holder 2	1	
42	2. HLQ20144-0000511301	Knife	3	
43	2. HLQ20L1402-0001511801	Knife holder 1	1	
44	2. HLQ20L1405-0001511801	Knife holder 3	1	
45	2. HLQ20L1401-0000510601	Knife shaft	1	
46	2. HLQ20L1411-00005101801	Rear support bearing gland	1	
47	4.01.FB4055821	Framework oil seal	1	
48	2. HLQ20L1407-0000510901	Flange	1	
49	4.01.6207GBT294166	Deep Groove Ball Bearing	1	
50	4.01.D35GBT894 111	Retaining ring	1	
51	4.01.M48GBT812031	Round nut	1	
52	2. HLQ2017-0008511501	Threaded connection sleeve	1	
53	4.01.25GBT1658810430101	PJ430 (10 deed)	1	
54	1.04.JSJHLQ00001	Reducer (single input shaft)	1	
55	2. HLQ20L05-0000511501	Belt for reducer	1	
56	2. HLQ20L04-0000511501	Belt for motor	1	
57	1.04. HLQ20L1141310	Motor	1	

58	2.HLQ2013-00005101901	Motor belt wheel	1	
59	4.01.25GBT1658810889121	Bekt 2PJ900	1	
60	2.HLQ20L1804-0000510701	Switch base plate	1	
61	2.HLQ20L0402-0000510701	Straight leg pipe	1	
62	2.HLQ20L0401-0000510701	Straight leg pipe	1	
63	4.02.00000501	Directional wheel	2	
64	4.02.00000428	Universal wheel	2	
65	2.HLQ20L0404-0000510701	Straight leg pipe	1	
66	2.HLQ20L0403-0000510701	Straight leg pipe	1	
67	2.HLQ20L23-0000511001	Bottom cover plate	1	