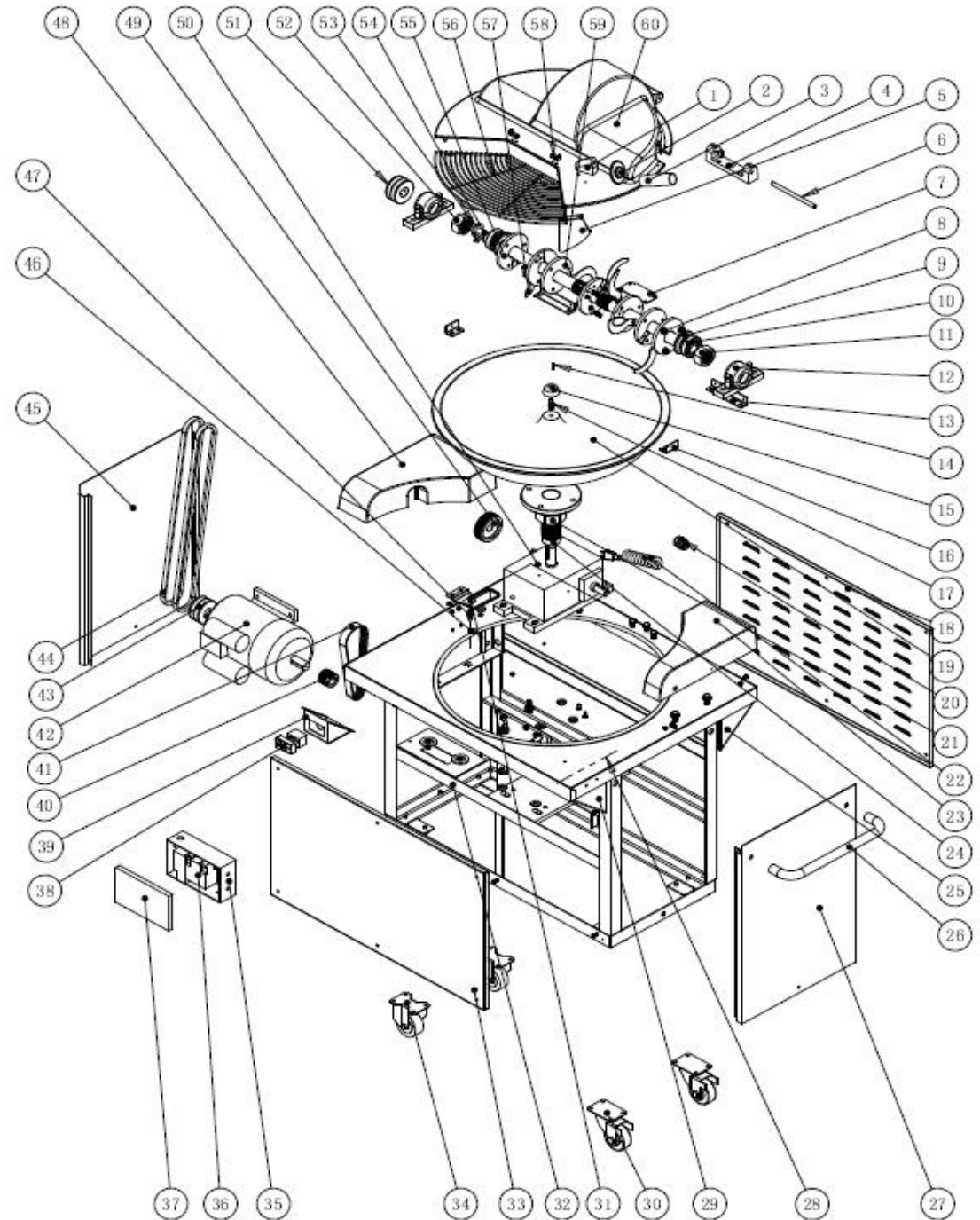


Exploded Drawing for HCH209

No.	Material Code	Name	QTY
1	2. HLQ350A10102702100	Mobile handle seat	1
2	2. HLQ350A10102902100	Disc wheel	1
3	2. HLQ350A10102802100	Mobile handle	1
4	2. HLQ2018-0001511801	Cover support	1
5	2. HLQ2021-0000510901	Scraper	1
6	2. HLQ2020-0000510601	Rotating shaft	1
7	2. HLQ2039-0000510901	Meat scraping board	1
8	3. HLQ20147010009000	Knife holder 3	1
9	3. HLQ20440130000	Waterproof rubber ring 1	2
10	4. 01. 6206_2RSGBT294166	Deep Groove Ball Bearing 6206	2
11	2. HLQ20145-0000510601	Nut M36x2	1
12	4. 02. 00000442	Bearing seat	2
13	2. HLQ2028-0000511601	Angle iron bracket 1	2
14	2. HBS250-0592700001	Top pillar (new)	1
15	3. HLQ2025010009000	Support block	1
16	2. HLQ2029-0000511601	Angle iron bracket 2	2
17	2. HLQ2033-0000510901	Support column	1
18	2. HLQ2005-0000511601	Rear cover plate	1
19	2. HLQ2015-0001511801	Chopping pot	1
20	1. 03. 00040004	Unable to pull off M20 * 1.5	1
21	2. HLQ2016-00005101901	Chopper support seat	1
22	1. 01. 01. 20046103	power cord	1
23	2. HLQ2023-0001511801	Right shield	1
24	2. HLQ2017-0008511501	Threaded connection sleeve	1
25	2. HLQ200124-0000510601	Rear decorative panel	1
26	2. HLQ2032-0000510601	Handle	1
27	2. HLQ2003-0000510601	Right cover plate	1
28	2. HLQ2002-0000510601	Table panel	1
29	2. HLQ200123-0000510601	Front decorative panel	1



30	4.02.00000428	Universal wheel	2	
31	2.HLQ201802-000510701	Switch base plate	1	
32	2.HLQ2001-0000511601	Frame	1	
33	2.HLQ2004-0000510601	Front cover plate	1	
34	4.02.00000069	Directional wheel	2	
35	3.00004	Electrical box	1	
36	1.05.07033010002	AC contactor	1	
37	3.00004	Electrical box cover	1	
38	1.05.053512HY57	Electromagnetic switch	1	
39	2.HLQ2024-0000510601	Button Box	1	
40	2.HLQ20L04-0000511501	Belt for motor	1	
41	4.01.25GBT1658810560101	Belt	1	
42	1.04.HLQ20L1141310	Motor	1	
43	2.HLQ2012-0008511501	Motor belt wheel	1	
44	4.01.04GBT117111200001	V-belt A type	2	
45	2.HLQ2031-0000510601	Left cover plate	1	
46	1.03.00010018	Magnetic steel	1	
47	1.03.00010001	Magnetic sensor	1	
48	2.HLQ2022-0001511801	Left shield	1	
49	2.HLQ2011-0008511501	Large belt wheel	1	
50	1.04.JSJHLQ00001	Retarder	1	
51	2.HLQ2013-00005101901	Small belt wheel	1	
52	2.HLQ20146-0000510601	Nut M36x2	1	
53	2.HLQ2048-0000510701	End pad	1	
54	2.HLQ20141-0008511501	Cutter shaft	1	
55	3.HLQ20142010009000	Knife holder 1	3	
56	2.HLQ2036-0000510601	protection cover	1	
57	2.HLQ20144-0000511301	Knife	6	
58	3.HLQ203726010009000	Protective cover plastic support	2	
59	3.HLQ20143010009000	Knife holder 2	4	
60	2.HLQ2019-0001511801	cover	1	