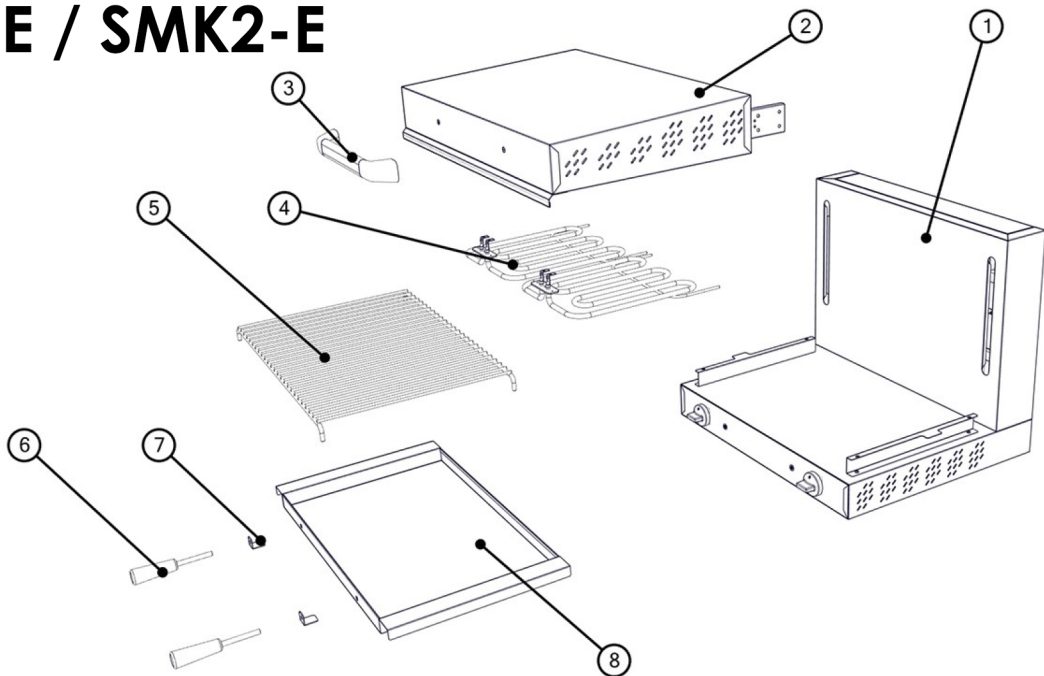
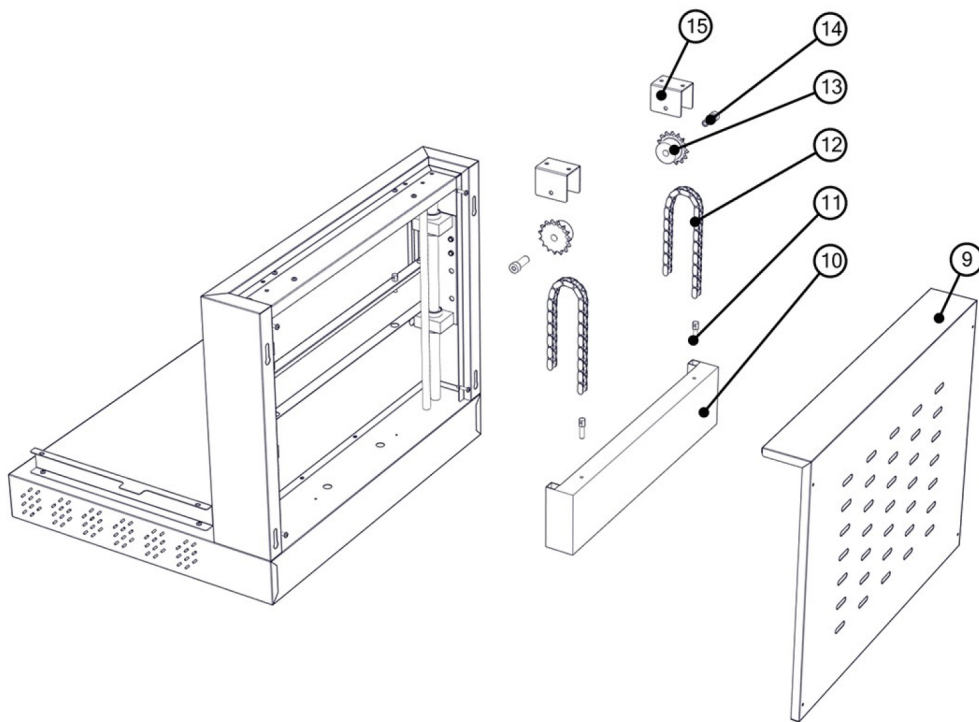


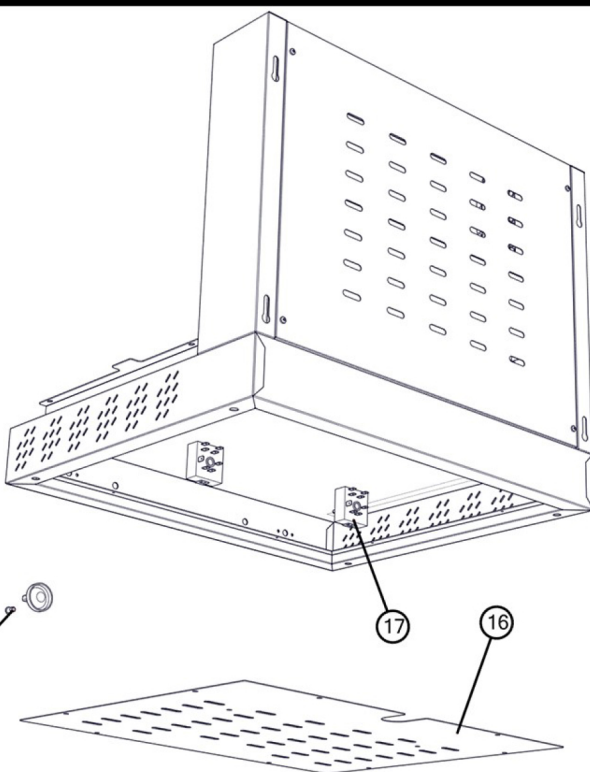
SMK1-E / SMK2-E



1



2



3

SMK1-E / SMK2-E ELECTRIC SALAMANDER

ITEM NO	PART NAME	NUMBER
1	BODY	1
2	UPPER HEATER FRAME	1
3	HEATER FRAME HANDLE	1
4	RESISTANCE	2
5	WIRE GRILL	1
6	GRILL TRAY HANDLE	2
7	TRAY HANDLE SUPPORT PLATE	2
8	GRILL TRAY	1
9	BACK COVER	1
10	WEIGHT PLATE	1
11	CHAIN COUPLING	4
12	CHAIN	2
13	SPROCKET	2
14	GEAR BEARING BUSHING	2
15	GEAR CONNECTION PLATE	2
16	BOTTOM SHUTDOWN PLATE	1
17	ENERGY REGULATOR	2
18	SIGNAL LAMB	2
19	ON OFF BUTTOM	2