

1500

450

900

150

150

450

900

600

1500

3.5-m³
1500x1500

300

450

150

150

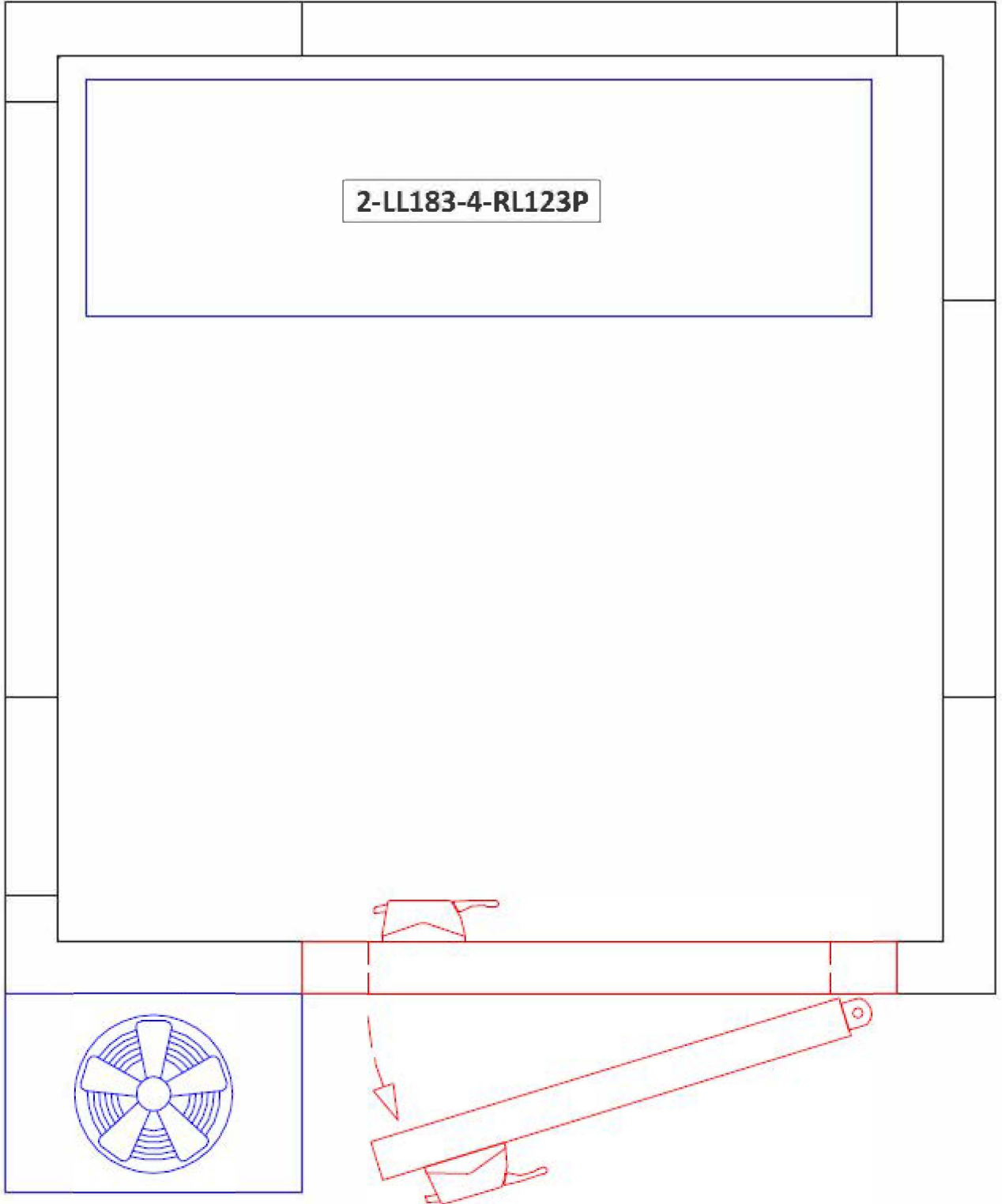
450

900

1500

2-LL183-4-RL123P

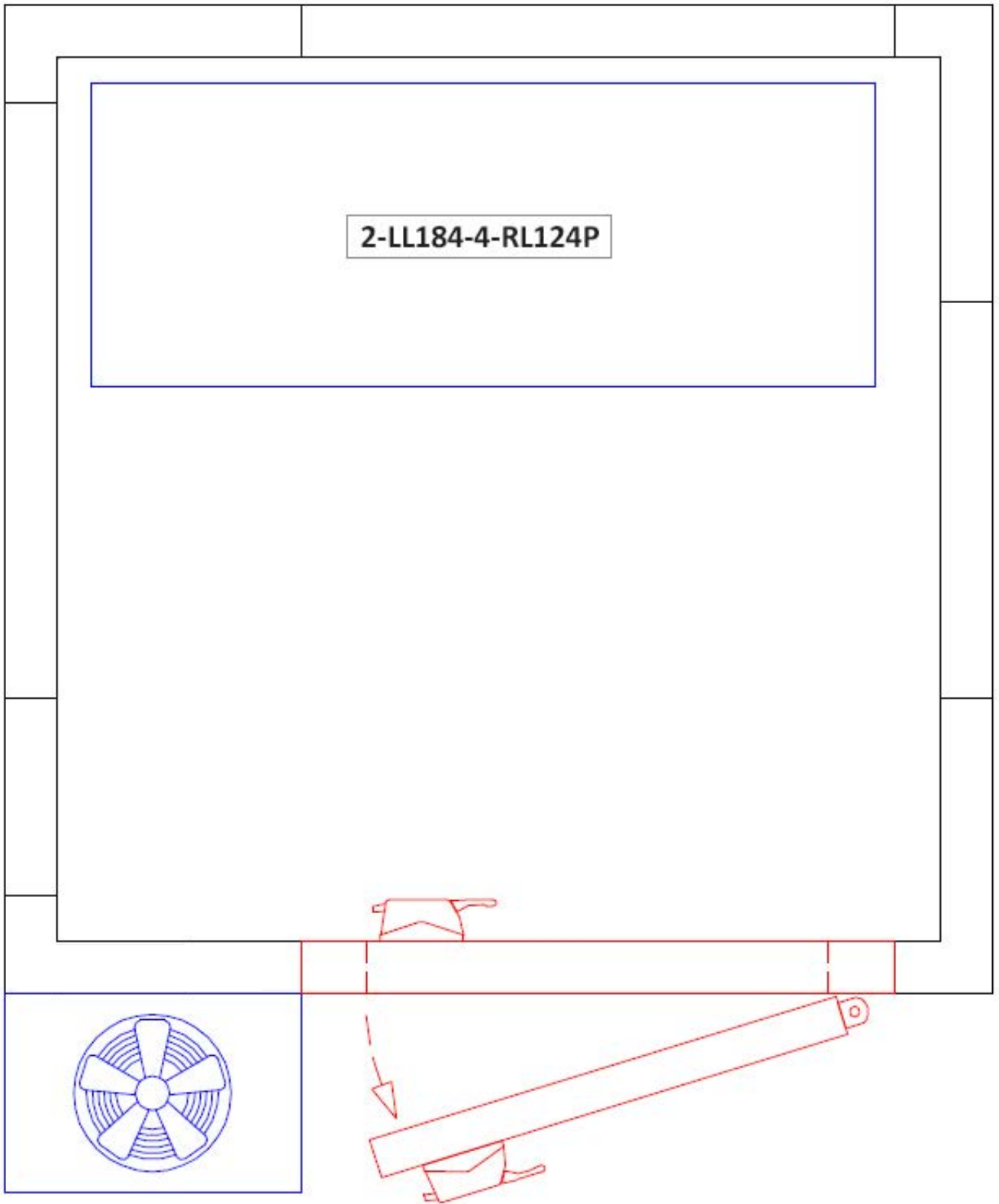
1500

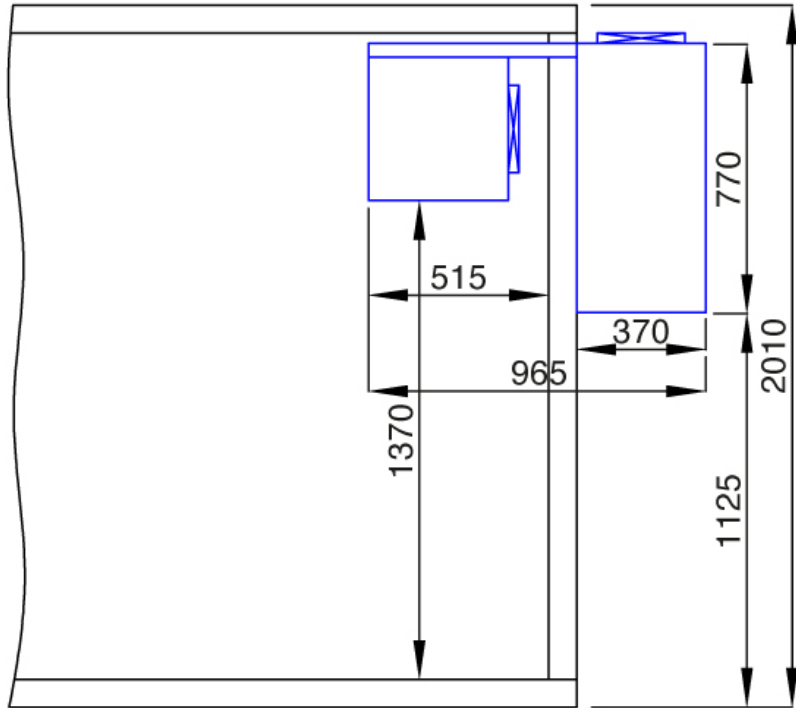
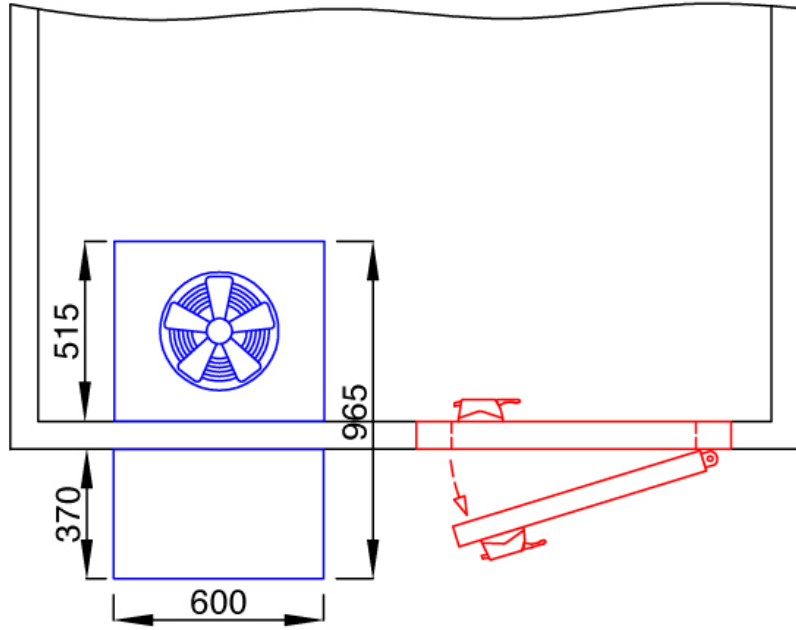


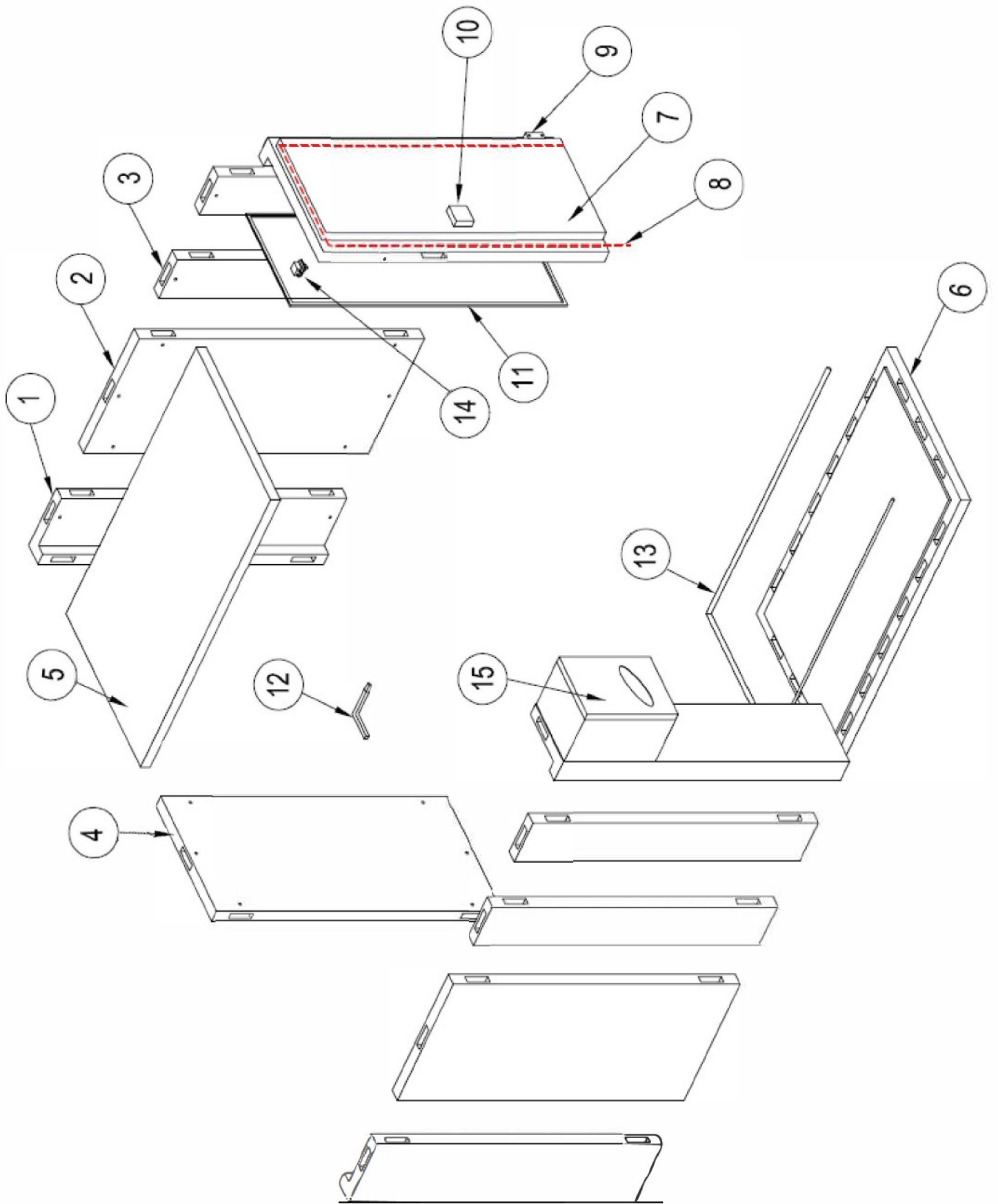
1500

1500

2-LL184-4-RL124P







| Nr. // No. | Name |
|------------|---|
| 01 | 450 x 150 Eck-Paneel // 450 x 150 Corner Panel |
| 02 | 900 mm Paneel // 900 mm Panel |
| 03 | 300 mm Paneel // 300 mm Panel |
| 04 | 600 mm Paneel // 600 mm Panel |
| 05 | Deckenplatte // Ceiling Panel |
| 06 | Bodenplatte // Floor Panel |
| 07 | Tür // Door |
| 08 | Tür Widerstand // Door resistance |
| 09 | Türschanier // Door hinge |
| 10 | Türschloss // Door lock |
| 11 | Türdichtung // Door seal |
| 12 | Installationsschlüssel // Installation key |
| 13 | PVC Profil // PVC Profil |
| 14 | Switch Knopf für die Tür // Switch button for doors |
| 15 | Kühlaggregat // Cooling units* |

optional enthalten //optionally included