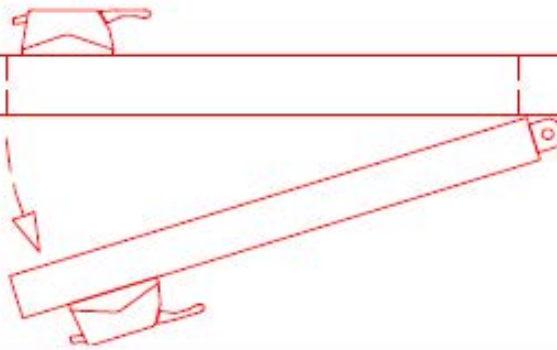


1500

2-LL183-4-RL123P

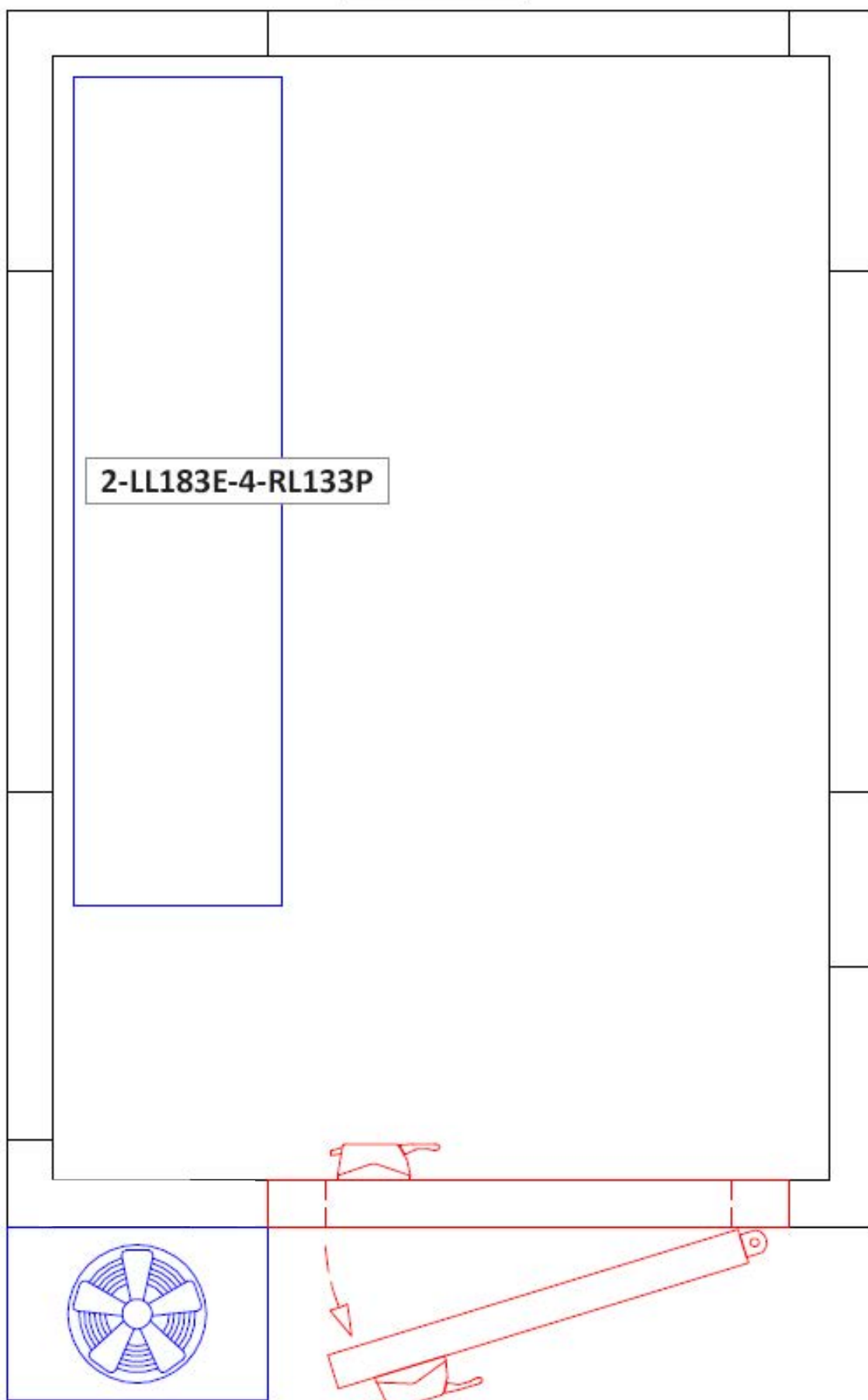
2100



1500

2100

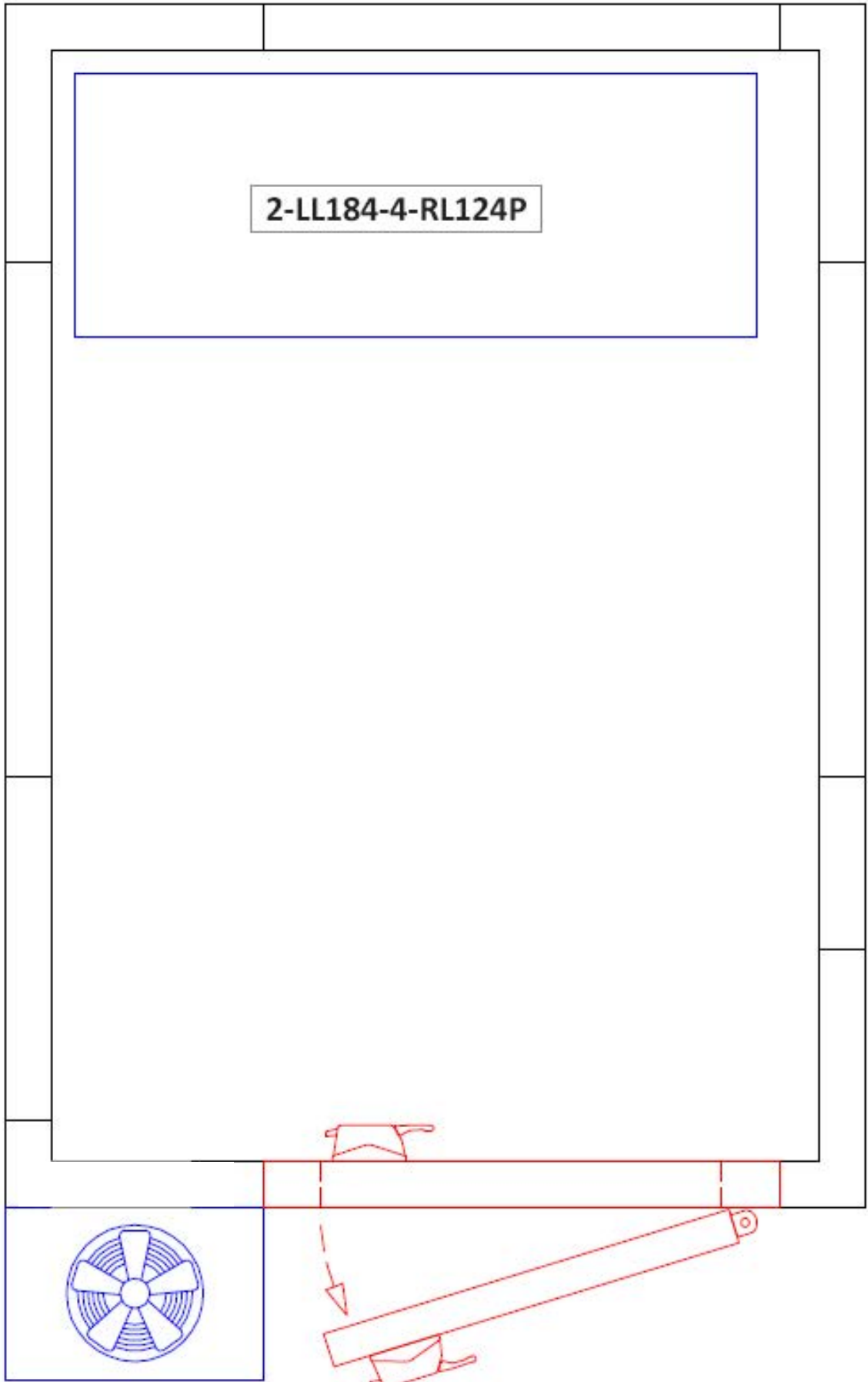
2-LL183E-4-RL133P



1500

2-LL184-4-RL124P

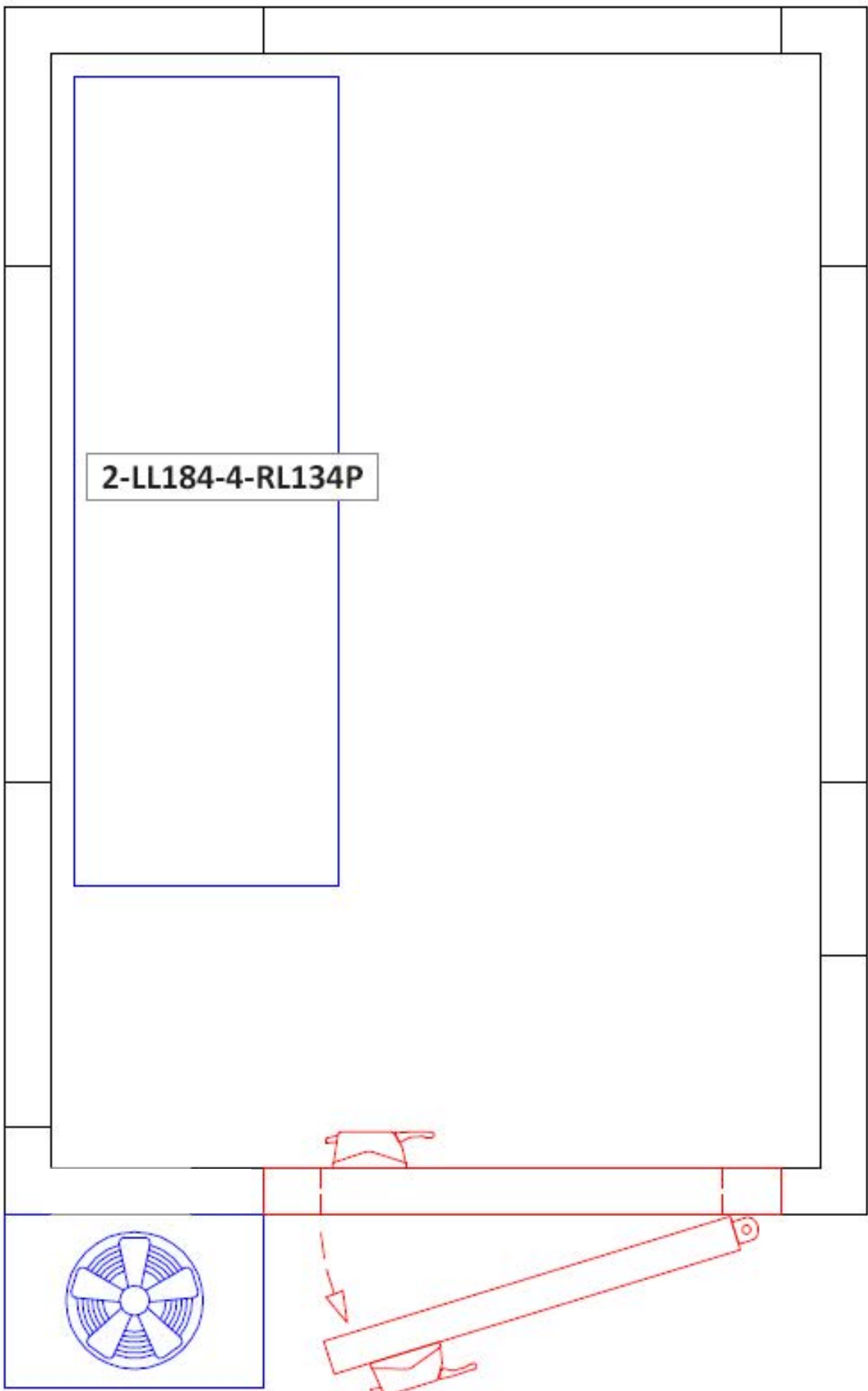
2100



1500

2100

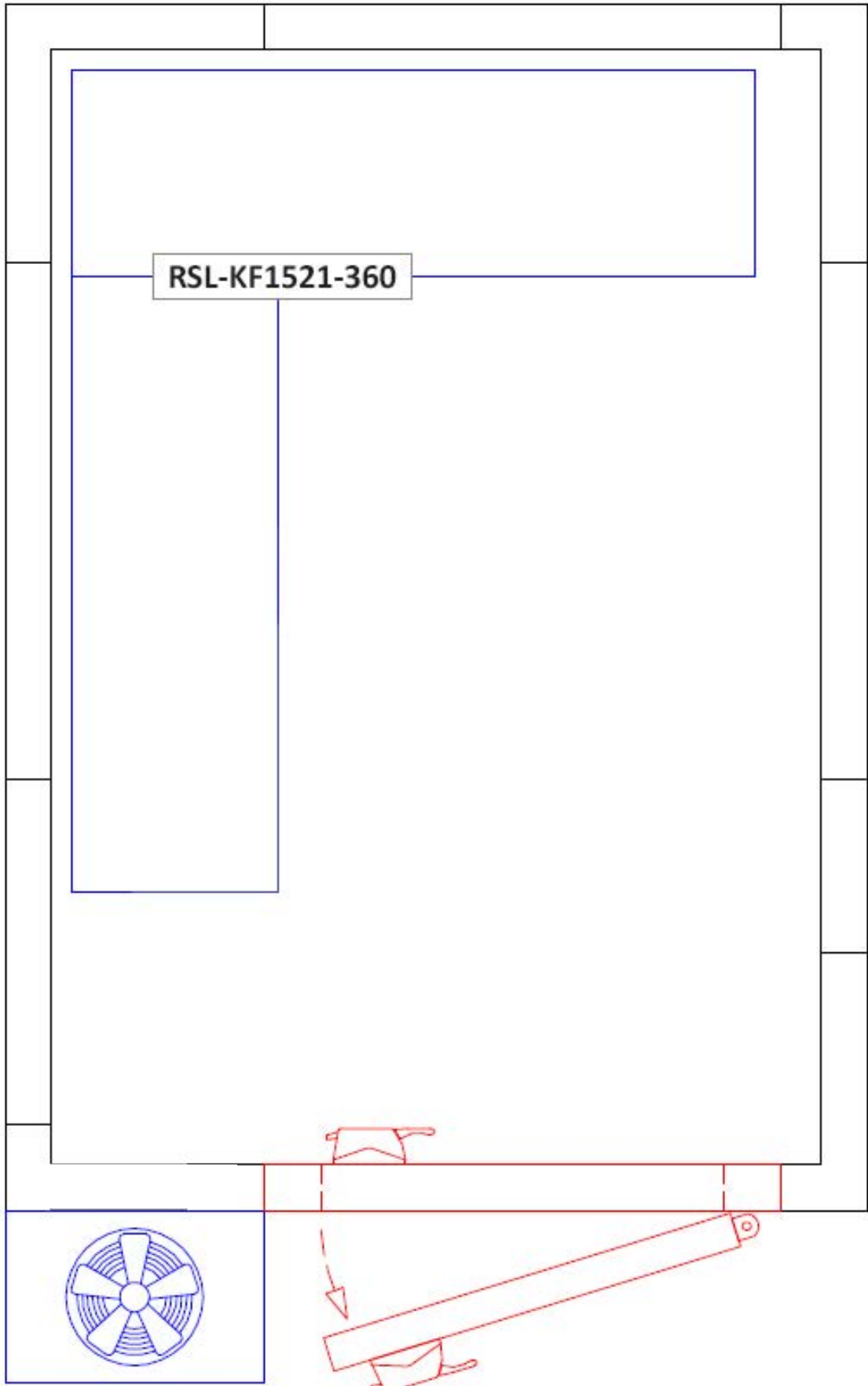
2-LL184-4-RL134P



1500

2100

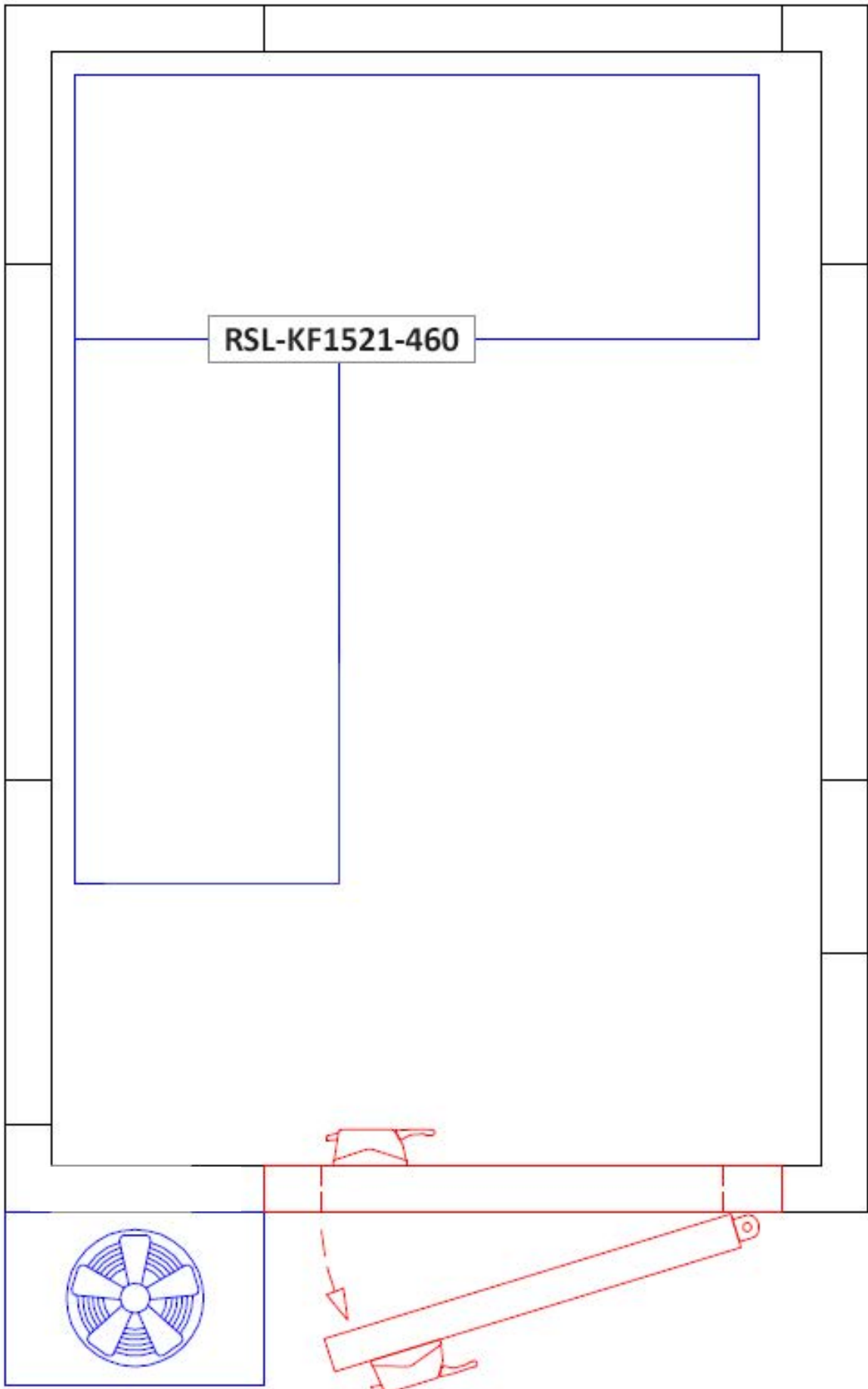
RSL-KF1521-360

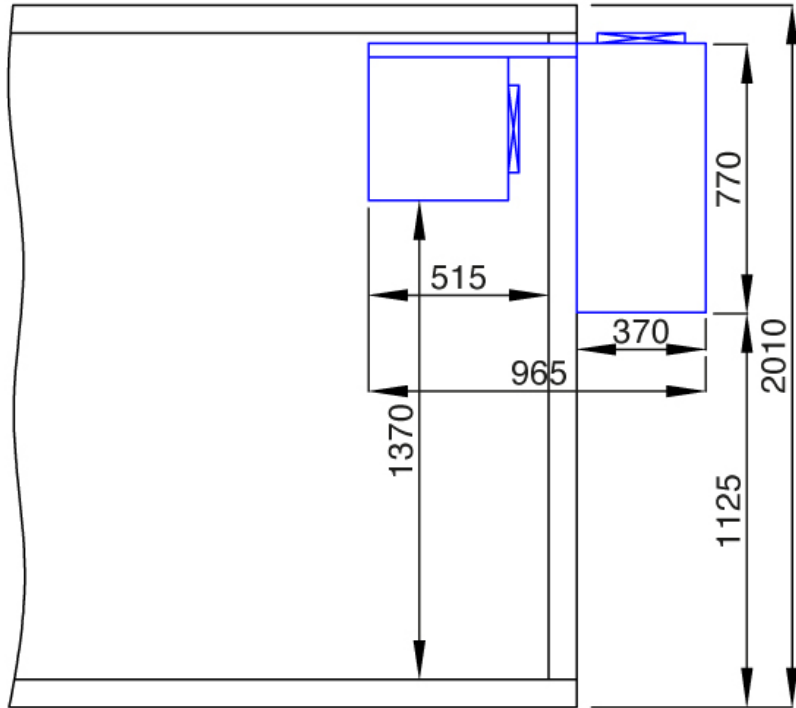
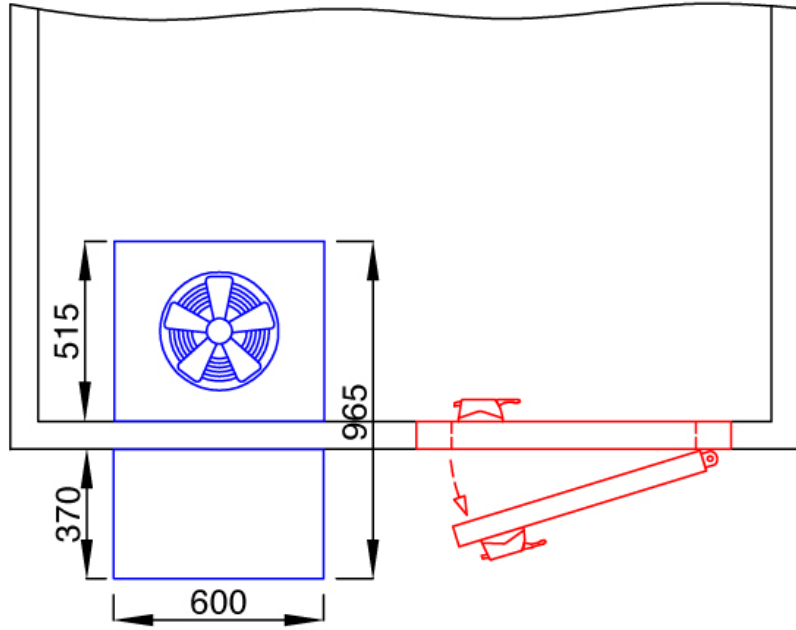


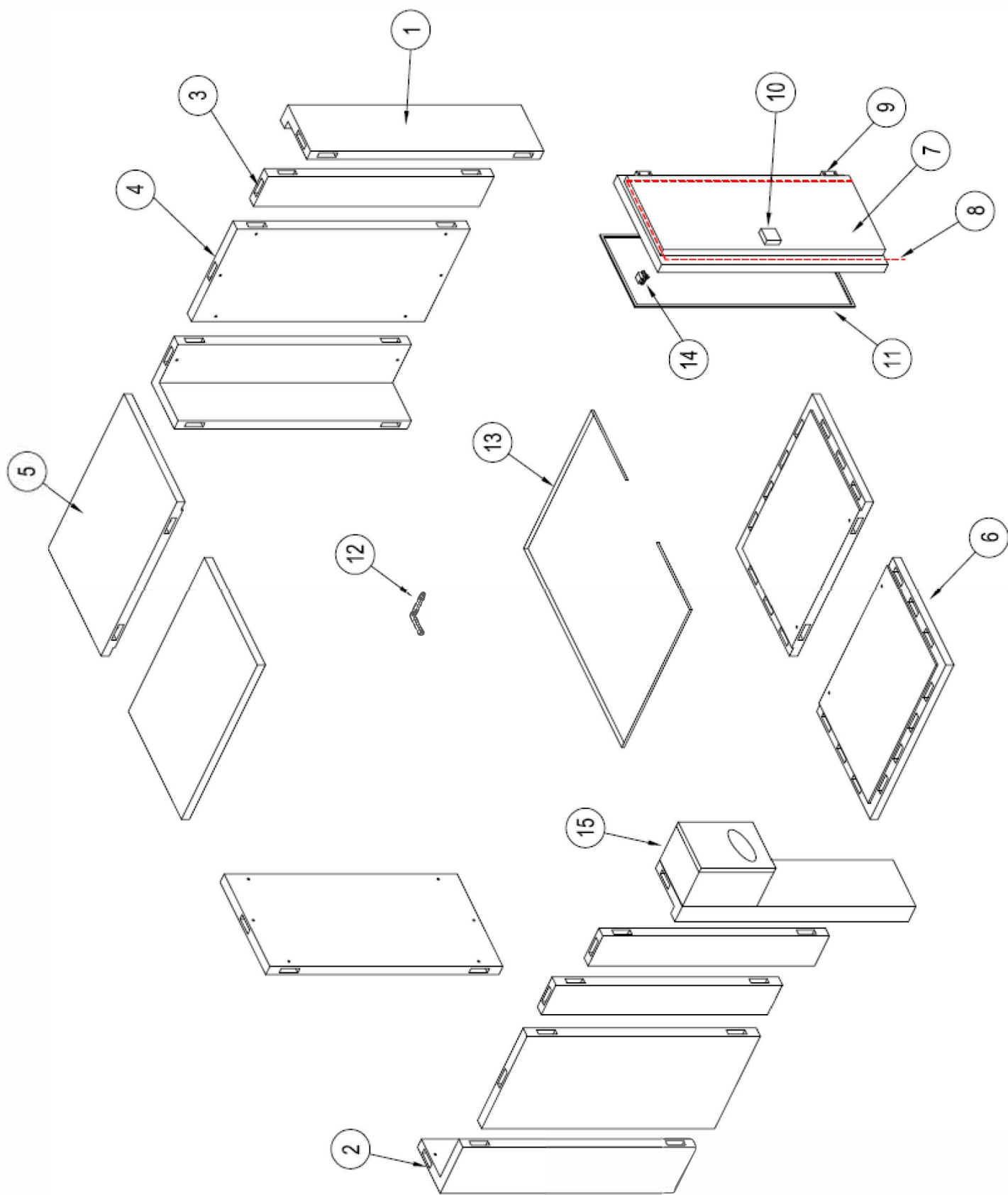
1500

2100

RSL-KF1521-460







Nr. // No.	Name
01	450 x 150 Eck-Paneel // 450 x 150 Corner Panel
02	450 x 450 Eck-Paneel // 450 x 450 Corner Panel
03	300 mm Paneel // 300 mm Panel
04	900 mm Paneel // 900 mm Panel
05	Bodenplatte // Floor Panel
06	Deckenplatte // Ceiling Panel
07	Tür // Door
08	Tür Widerstand // Door resistance
09	Türschanier // Door hinge
10	Türschloss // Door lock
11	Türdichtung // Door seal
12	Installationsschlüssel // Installation key
13	PVC Profil // PVC Profil
14	Switch Knopf für die Tür // Switch button for doors
15	Kühlaggregat // Cooling units*

optional enthalten //optionally included