
Mini-Tiefkühlschrank

Bedienungsanleitung

Model No.: **MTKSH32**

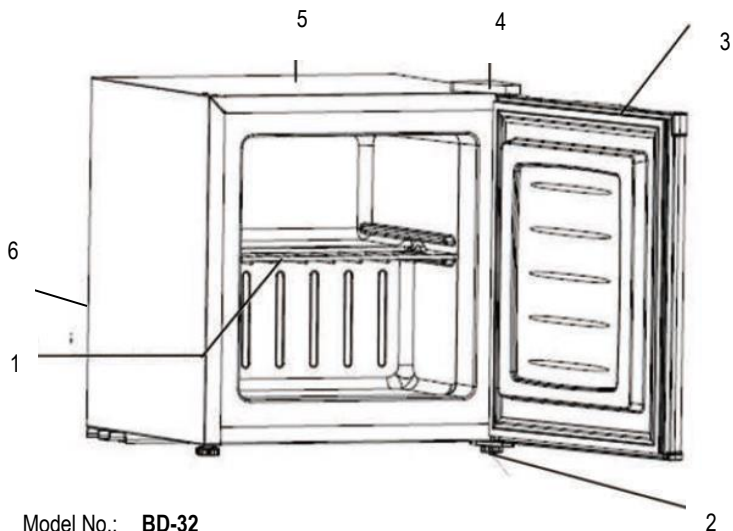


Um eine ordnungsgemäße Verwendung dieses Geräts und Ihre Sicherheit zu gewährleisten, lesen Sie bitte die folgenden Anweisungen vollständig durch, bevor Sie das Gerät in Betrieb nehmen.

INHALTSVERZEICHNIS

Vor der Inbetriebnahme.....	2
Tipps zum Energiesparen.....	2
Wichtige Sicherheitshinweise.....	2
Korrekte Entsorgung dieses Produkts.....	4
Bezeichnung der Teile.....	5
Spezifikationen.....	5
Wie man es bedient:	
Inbetriebnahme Ihres neuen Kühlschranks.....	6
Temperaturregelung.....	6
Abtauen.....	6
Gefrierschrank ausrichten.....	7
Ausrichten der Tür.....	7
Anleitung zur Umkehrung der Tür.....	7
Informationen zur Lagerung von Lebensmitteln.....	9
Reinigen.....	10
Installation.....	10
Pflege und Wartung.....	10
Anleitung zur Fehlersuche	
Was zu tun ist.....	11

BEZEICHNUNG DER TEILE



Model No.: **BD-32**

- (1) Wire Shelf
- (2) Bottom foot
- (3) Door assembly
- (4) Top hinge cover
- (5) Freezer Compartment
- (6) Temperature Thermostat Box(not shown, located at the back)

SPEZIFIKATIONEN

Product Description	Upright freezer		
Model No.	BD-32		
Capacity	32 L		
Electrical Rating	220-240V~ 50Hz/0.3 A		
Refrigerant	R600a, 24g		
Unit Dimensions With Feet	Width	Depth	Height
	445mm	473mm	498mm
Net Weight (Lbs)	15 Kg		

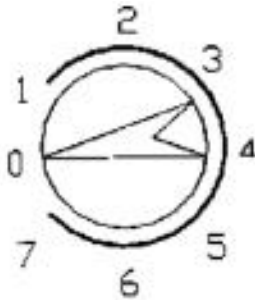
WIE MAN ES BEDIENT:

INBETRIEBNAHME DES KÜHLSCHRANKS

1. Clean the freezer thoroughly. Wipe the outside with a soft dry cloth, the interior with a clean moist cloth.
2. Insert the power supply cord into the socket.
3. Turn the thermostat dial to "7". Close the door and let the unit operate for 2-3 hours.
4. Reduce the thermostat to a mid-range setting "3"- "5" on the thermostat control.

TEMPERATURREGELUNG

Thermostat Dial



To control the internal temperature, adjust the thermostat dial. "1" is the warmest setting. "7" is the coldest. To turn the unit off, turn the temperature control knob to "0". *

**Note:*

Turning the temperature control to "0" position stops the cooling cycle but it does not shut off the power supply to the unit.

If you need quick freezing, turn the thermostat dial to "7" position, the compressor will run always, when the food is frozen completely, then turn the dial to the original position.

The Dial may be set any place on the scale. It does not have to be set exactly on a number.

Note: Wait 3-5 minutes before restarting if you just unplug the unit. The unit may fail to operate properly if restarted too quickly.

ABTAUEN

Defrost the freezer compartment when the ice / frost is approximately 4-5 mm thick. Set the thermostat dial to "0" to defrost. Remove all contents from the freezer compartment. Leave the freezer door open to allow accumulated ice / frost to melt. Remove large pieces of ice as needed. Do not use hot water or other electric heating devices to melt the accumulated ice. After defrosting, remove accumulated ice / water and wipe the freezer compartment dry with a soft cloth. Restart the unit per starting instructions.

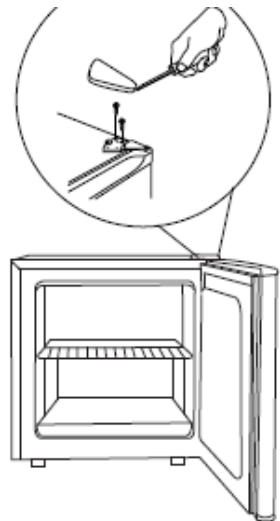
Never use a knife, or other sharp metal instrument to scrape ice/frost on the surface of the internal wall of the unit.

KÜHLSCHRANK AUSRICHTEN

- Your freezer has two leveling legs which are located in the front bottom corners of your freezer. After properly placing your freezer in its final position, you can level your freezer.
 - Leveling legs can be adjusted by turning them counterclockwise to raise your freezer or by turning them clockwise to lower your freezer. The freezer door will close easier when leveling legs are extended.
-

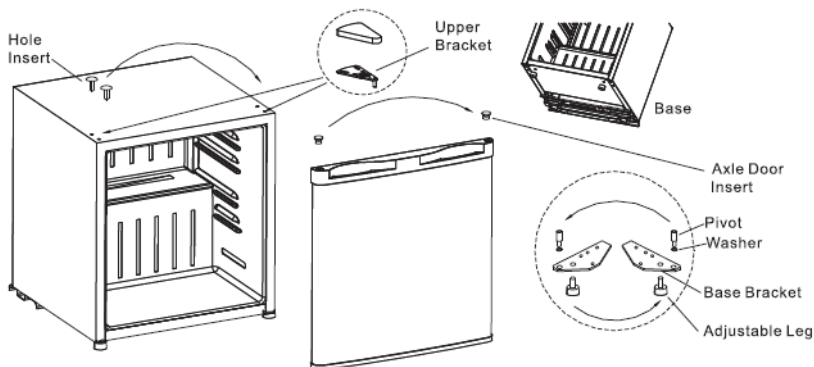
AUSRICHTEN DER TÜR

1. Remove the top hinge cover using a flat head screw driver. Gently lift from the rear of the hinge and slide forward.
2. Lossen the top hinge screws using a Phillips head screwdriver.
3. Adjust the door or put a spacer in between and then tighten the screws.
4. Replace the top hinge cover by aligning the rear of the cover with the rear of the hinge. Press firmly on the front of the cover until it snaps in place.



ANLEITUNG ZUR UMKEHRUNG DER TÜR

We supply you the freezer with left side open door or right side open door. Please buy the correct unit according to your installation location. If you are not sure, or want to change the location, please reverse the door refers to the following figure and explanation according to your new installation location.



Your freezer is built with a reversible door. You have the choice of either opening it from the left or the right side. In order to reserve the opening direction of your door, please follow these simple instructions:

Remove all goods out of your freezer. Tilt the freezer backwards. Secure the rear from sliding. Tape the door to the cabinet to prevent from falling.

Note: The above figure shows that one bottom foot is on the base bracket (normal not), you will have to remove this foot from base bracket before beginning. And install it back to the base bracket after you complete it.

1. Remove the 2 hexagonal screws from base bracket.
2. Remove the pivot washer holding the bottom of the door.
3. Separate the door from the cabinet and remove the pivot axle from the upper side of the door. Remove and reinstall upper and lower axle inserts to opposite side.
4. Install the pivot axle to opposite side.
5. Re-attach the door to the cabinet and secure with tape.
6. Attach the base bracket to the opposite side.
7. Install the bottom pivot aligning with the lower pivot insert on the door. Attach the 2 hexagonal screws to base bracket.
8. Remove tape.
9. As the unit was tilted, wait 24 hours before plugging it in.

FOOD STORAGE INFORMATION

Frozen Food:

- Wipe containers before storing to avoid needless spills.
- Hot food should be allowed to cool before storing in the freezer. This will prevent unnecessary energy use.
- When storing meats, keep in the original packaging or rewrap as necessary.
- Proper freezer storage requires correct packaging. All foods must be in packages, which do not allow the flow of air or moisture in, or out. Improper storage will result in odor and taste transfer and will result in the drying out of the improperly packaged food.
- Follow package or container instructions for proper storage.
- Packaging Recommendations:
 - Plastic containers with air tight lids
 - Heavy duty aluminum foil
 - Plastic wrap made from saran film
 - Self-sealing plastic bags
- Do not refreeze defrosted/thawed foods.
- It is recommended that the freezing date be marked on the packaging.

These are some suggestions for safe storage:

- | | |
|------------------------------------|---------------|
| • TV Dinners | 3 - 4 Months |
| • Fresh Shrimp, scallops, crawfish | 3 - 6 Months |
| • Hamburger & stew meats | 3 - 4 Months |
| • Ground Turkey, veal, pork | 3 - 4 Months |
| • Chops | 4 - 6 Months |
| • Steaks | 6 - 12 Months |
| • Chicken or turkey, whole | 1 year |

REINIGUNG

Cleaners: Never use harsh, abrasive cleaners, heavy-duty cleaners, or solvents on any surface.

Exterior: Wipe with damp, sudsy cloth, rinse and dry. For stubborn stains and for periodic waxing, use silicon wax.

Freezer: When unit needs defrosting turn thermostat to "OFF" ("0"). Do not use sharp metallic instruments to scrap off ice/frost.

Refrigeration Section: Wash shelves and other removable parts in warm sudsy water, rinse and dry. Wash interior with baking soda solution (3 tablespoons to 1 liter of water) or warm sudsy water, rinse and dry.

Magnetic Door Seals: Wash with warm sudsy water.

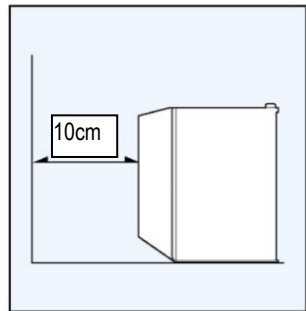
The Finishing Touch: Replace all parts and return thermostat dial to desired setting.

WARNING: Do not clean your unit with flammable fluids. The fumes can create a fire hazard or explosion.

INSTALLATION

WARNING: This unit is not designed for recessed installation.

- Install freezer in a convenient location away from extreme heat and cold. Allow sufficient clearance between the freezer and sidewall so the door will open without obstruction. This freezer is not designed for recessed installation.
- Select a space with strong level floor. Not recommended for carpeting or other soft / uneven surfaces.
- Allow 10 cm of space between the unit and the sidewall to keep good air circulation. In addition, sufficient clearance (160°) should be maintained to allow the door to open properly and completely.
- The appliance must be correctly connected to the power supply, 220-240V~50Hz, with grounding
- Do not use an extension cord.



WARNING: To avoid a hazard due to instability of the appliance, it must be placed at an even or flat surface.

POWER CORD REPLACEMENT

If the freezer's power cord is damaged, have it replaced by a qualified repair agent.

PFLEGE UND WARTUNG

- ▶ The freezer should be cleaned on a regular basis. (See: "HOW TO CLEAN")
- ▶ It is necessary to have an adequate ventilation space around the refrigerator in order to attain proper performance, dissipation of heat, maintain efficiency, and low power consumption. Clearance of minimum 10 centimeters should be maintained at the rear and sides of the unit and 20 cm at the top of the unit.

▶ Do not modify the power cord under any circumstance to allow the unit to be plugged into a non-grounded outlet. To avoid heat damage to the power cord, please ensure that it does not come in proximity or in direct contact with the compressor of the refrigerator.

▶ Please avoid installing the refrigerator in a location where the appliance will come in contact with water or moisture to minimize rusting of metal parts.

▶ The freezer should not be installed near any heat source or in a location where it will come in direct contact with the sunlight.

ANLEITUNG ZUR FEHLERSUCHE

WHAT TO DO ...

When the fridge is not in use for a prolonged period:

- Remove the plug from the outlet.
- Remove all contents from the fridge.
- Dry the interior and leave the door open for a few days.

When the freezer does not work:

- Check if there is a power failure
- Check if the power plug is plugged into the power outlet
- Check that the fuse has not blown in main supply circuit

When you wish to move the fridge:

- Secure all movable parts and contents. (Package them separately if necessary.)
- Transport the fridge only in an upright position. In any other position you may damage the compressor.

Before calling service, please follow the checklist below.
This may save you an expensive service call.

If the freezer seems too warm inside:

- Check to see that the door is closing properly and the door seal is not damaged.
- Check that the interior circulation is not obstructed by having too many goods stored. (The fridge is overloaded)
- Did you store anything hot, without first cooling it to room temperature?
- Is there sufficient clearance around all sides and above the fridge?

When the freezer is cooling excessively:

- The temperature control dial may be set too high
- If you place food sorts which contain a lot of moisture directly under the cool outlets, they will freeze easily. This does not indicate a unit malfunction.

When the defrosting water overflows inside the refrigerator and onto the floor:

- Check that the drain pipe and the drain hose are not clogged.
- Check that the drain pan is housed properly.

When condensation forms on the outside of the refrigerator:

Condensation may form on the outside when the humidity level is high such as a summer season. This is the same result as the condensation formed when chilled water is poured into a glass. It does not, therefore, indicate a failure, wipe dry with a dry cloth.

If the fridge starts making any unusual noises:

Is it wobbling? Level it and check if it now operates normally.

Have any objects fallen behind the fridge? If so, remove them and check if operation is normal.

Are any containers inside the fridge vibrating or resonating? If so, rearrange them and see if operation has returned to normal.