
UPRIGHT FREEZER

INSTRUCTION MANUAL

Model No.: **BD-32**



To ensure proper use of this appliance and your safety, please read the following instructions completely before operating this appliance.

TABLE OF CONTENTS

Before Putting Into Use.....	2
Tips For Energy Saving.....	2
Important Safety Instructions.....	2
Correct Disposal of this product.....	4
Name Of The Parts.....	5
Specifications.....	5
How To Operate:	
Starting Your New Refrigerator.....	6
Temperature Control.....	6
How To Defrost.....	6
Level your freezer.....	7
Door alignment.....	7
Door Reversal Instruction.....	7
Food storage information.....	9
How To Clean.....	10
How To Install.....	10
Care And Maintenance.....	10
Troubleshooting Guide	
What To Do.....	11
Refrigerator Warranty.....	12

BEFORE PUTTING INTO USE

- Before connecting the appliance to the power supply, let the unit stand upright for 4 hours, which will reduce the possibility of the cooling system malfunctioning due to improper handling.
- Clean your unit thoroughly before putting into use. (See "How to Clean")
- Use the parts diagram on page 4 to insure proper positioning of internal components.

TIPS FOR ENERGY SAVINGS

- Keep the freezer doors closed as much as possible, particularly in warm / humid conditions.
- Maintain adequate ventilation around the back and sides of the unit.
- Maintain a thermostat setting of "4" position under normal use.
- Allow warm food to cool to room temperature before placing in the freezer.
- Excessive ice build up will increase energy consumption. Defrost the unit when ice / frost is 4-5mm thick.

IMPORTANT SAFETY INSTRUCTIONS

Use this appliance only for its intended purpose as described in this owner's manual.

This appliance is intended to be used in household and similar applications such as:

- staff kitchen areas in shops, offices and other working environments;
- farm houses and by clients in hotels, motels and other residential type environments;
- bed and breakfast type environments;
- catering and similar non-retail applications.

When using electrical appliances, basic safety precautions should be followed to reduce the risk of fire, electric shock, and injury to persons or property. Read all instructions before using any appliance.

This appliance can be used by children aged from 8 years and above and persons with reduced physical, sensory or mental capabilities or lack of experience and knowledge if they have been given supervision or instruction concerning use of the appliance in a safe way and understand the hazards involved. Children shall not play with the appliance. Cleaning and user maintenance shall not be made by children without supervision.

This unit must be properly installed in accordance with the installation instructions before it is used. (see "How to install")

This unit must be positioned so that the plug is accessible.

Do not run cord over carpeting or other heat insulators. Do not cover the cord. Keep cord away from traffic areas, and do not submerge in water. No other appliance should be plugged into the same outlet, and be sure that the plug is fully inserted into the receptacle.

We do not recommend the use of extension cord as it may overheat and cause a risk of fire. If you must use an extension cord, use 1.5mm² minimum size and rated no less than 1875 watts.

Disconnect the mains plug from the supply socket when not in use for a long term, where supply connection is via mains plug.

Never unplug you unit by pulling on the power cord. Always grasp the plug firmly and pull straight out from the outlet.

If the supply cord is damaged, it must be replaced by the manufacturer or its service agent or a similarly qualified person in order to avoid a hazard.

- 1) Do not clean your unit with flammable fluids. The fumes can create a fire hazard or explosion.

2) Do not tip over the unit.

3) If the freezer is brought in from outside in wintertime, give it a few hours to warm up to room temperature before plugging it in.

4) Repair or replace immediately all electric service cords that have become frayed or otherwise damaged. Do not use a cord that shows cracks or abrasion damage along its length, the plug or the connector end.

5) Unplug the unit before cleaning or making any repairs or servicing. **NOTE:** *If for any reason this product requires service, we strongly recommend that a certified technician perform the service. Repairs made by non-qualified personnel will void the warranty.*

6) The power supply must be properly grounded. Do not disconnect or move off the ground pin in any case.

7) Do not use your unit outdoors. Place the unit away from direct sunlight and make sure that there is at least 10 cm of space between the back of your unit and wall. Keep a minimum distance of 10 cm on each side of your unit free. Keep the enough air circulation around your unit.

8) It is recommended that the unit is positioned away from any combustible sources such as gas, petrol, alcohol, lacquer and banana oil, etc. The aforementioned objects should not be stored in the unit under any circumstances.

WARNING: This appliance must be earthed. Use the proper main power source according to the nameplate.

WARNING: Keep ventilation openings, in the appliance enclosure or in the built-in structure, clear of obstruction.

WARNING: Do not use mechanical device or other means to accelerate the defrosting process, other than those recommended by the manufacturer.

WARNING: Do not damage the refrigerant circuit.

WARNING: Do not use electrical appliances inside the food storage compartments of the appliance, unless they are of the type recommended by the manufacturer.

WARNING: To avoid a hazard due to instability of the appliance, it must be fixed in according with the instructions.

WARNING: Do not store explosive substances such as aerosol cans with a flammable propellant in this appliance.

WARNING: When positioning the appliance, ensure the supply cord is not trapped or damaged.

WARNING: Do not locate multiple portable socket-outlets or portable power supplies at the rear of the appliance

To avoid contamination of food, please respect the following instructions:

– Opening the door for long periods can cause a significant increase of the temperature in the

compartments of the appliance.

– Clean regularly surfaces that can come in contact with food and accessible drainage systems.

– Store raw meat and fish in suitable containers in the refrigerator, so that it is not in contact with or drip onto other food.

– Two-star frozen-food compartments are suitable for storing pre-frozen food, storing or making ice-cream and making ice cubes.

– One-, two- and three-star compartments are not suitable for the freezing of fresh food.

– If the refrigerating appliance is left empty for long periods, switch off, defrost, clean, dry, and leave the door open to prevent mould developing within the appliance.

IMPORTANT:

The wires in this mains lead are colored in accordance with the following code:

Green or Green with a strip yellow:	Grounding
Blue:	Neutral
Brown:	Live

During using:

- 1) Do not touch the cooled surfaces while the appliance operates, especially not with wet hands, because the skin may stick to the cold surfaces.
- 2) Do not freeze bottled liquids such as carbonated soft drink, beer, wine, etc. Doing so can cause glass bottles and aluminum cans to rupture.
- 3) If the unit fails to cool properly, dispose of spoiled food as needed.

Correct Disposal of this product

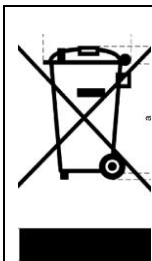


Warning: Risk of fire/flammable materials used. Please according to local regulations regarding disposal of the appliance for its flammable blowing gas. When disposal of any materials, must comply with your local recycling policy and environmental protection policy. Do not release the flammable refrigerant contained in the cooling system freely.

Before you scrap the appliance, please take off the doors to prevent children trapped.

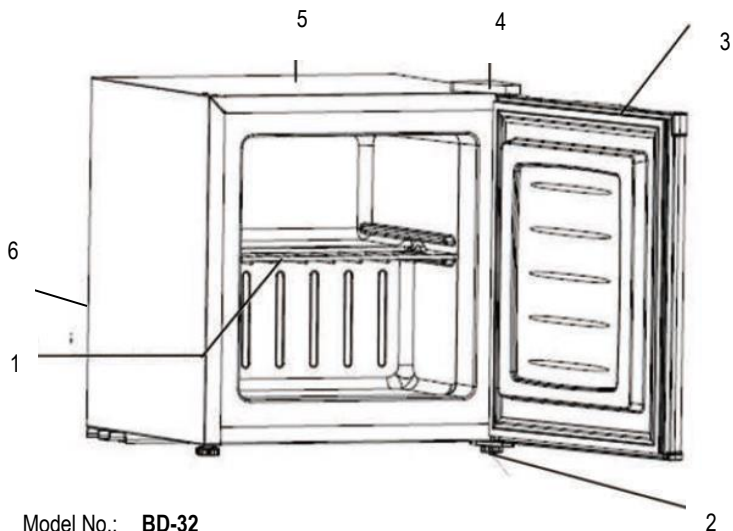
DANGER: Risk of child entrapment. Before you throw away your old refrigerator or freezer:

- Take off the doors.
- Leave the shelves in place so that children may not easily climb inside.



This marking indicates that this product should not be disposed with other household wastes throughout the EU. To prevent possible harm to the environment or human health from uncontrolled waste disposal, recycle it responsibly to promote the sustainable reuse of material resources. To return your used device, please use the return and collection systems or contact the retailer where the product was purchased. They can take this product for environmental safe recycling.

NAME OF THE PARTS



Model No.: **BD-32**

- (1) Wire Shelf
- (2) Bottom foot
- (3) Door assembly
- (4) Top hinge cover
- (5) Freezer Compartment
- (6) Temperature Thermostat Box(not shown, located at the back)

SPECIFICATIONS

Product Description	Upright freezer		
Model No.	BD-32		
Capacity	32 L		
Electrical Rating	220-240V~ 50Hz/0.3 A		
Refrigerant	R600a, 24g		
Unit Dimensions With Feet	Width	Depth	Height
	445mm	473mm	498mm
Net Weight (Lbs)	15 Kg		

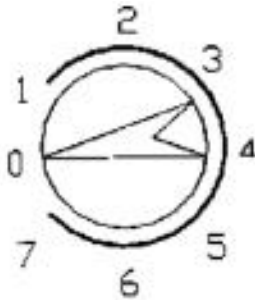
HOW TO OPERATE

Starting Your New Freezer

1. Clean the freezer thoroughly. Wipe the outside with a soft dry cloth, the interior with a clean moist cloth.
2. Insert the power supply cord into the socket.
3. Turn the thermostat dial to "7". Close the door and let the unit operate for 2-3 hours.
4. Reduce the thermostat to a mid-range setting "3"- "5" on the thermostat control.

Temperature Control

Thermostat Dial



To control the internal temperature, adjust the thermostat dial. "1" is the warmest setting. "7" is the coldest. To turn the unit off, turn the temperature control knob to '0'. *

**Note:*

Turning the temperature control to "0" position stops the cooling cycle but it does not shut off the power supply to the unit.

If you need quick freezing, turn the thermostat dial to "7" position, the compressor will run always, when the food is frozen completely, then turn the dial to the original position.

The Dial may be set any place on the scale. It does not have to be set exactly on a number.

Note: Wait 3-5 minutes before restarting if you just unplug the unit. The unit may fail to operate properly if restarted too quickly.

How To Defrost

Defrost the freezer compartment when the ice / frost is approximately 4-5 mm thick. Set the thermostat dial to "0" to defrost. Remove all contents from the freezer compartment. Leave the freezer door open to allow accumulated ice / frost to melt. Remove large pieces of ice as needed. Do not use hot water or other electric heating devices to melt the accumulated ice. After defrosting, remove accumulated ice / water and wipe the freezer compartment dry with a soft cloth. Restart the unit per starting instructions.

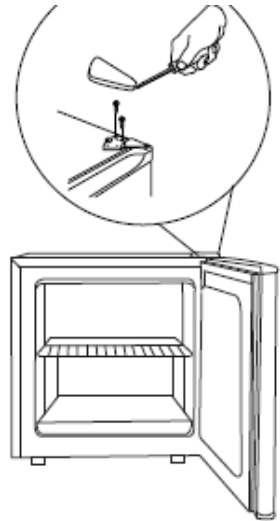
Never use a knife, or other sharp metal instrument to scrape ice/frost on the surface of the internal wall of the unit.

Leveling Your Freezer

- Your freezer has two leveling legs which are located in the front bottom corners of your freezer. After properly placing your freezer in its final position, you can level your freezer.
 - Leveling legs can be adjusted by turning them counterclockwise to raise your freezer or by turning them clockwise to lower your freezer. The freezer door will close easier when leveling legs are extended.
-

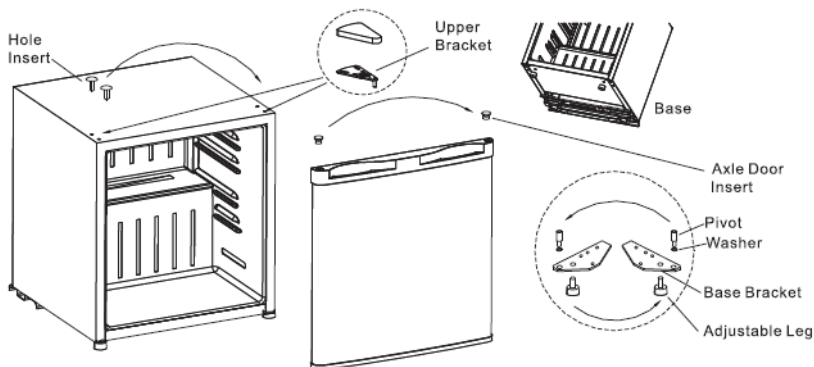
Door Alignment

1. Remove the top hinge cover using a flat head screw driver. Gently lift from the rear of the hinge and slide forward.
2. Loosen the top hinge screws using a Phillips head screwdriver.
3. Adjust the door or put a spacer in between and then tighten the screws.
4. Replace the top hinge cover by aligning the rear of the cover with the rear of the hinge. Press firmly on the front of the cover until it snaps in place.



Door Reversal Instruction

We supply you the freezer with left side open door or right side open door. Please buy the correct unit according to your installation location. If you are not sure, or want to change the location, please reverse the door refers to the following figure and explanation according to your new installation location.



Your freezer is built with a reversible door. You have the choice of either opening it from the left or the right side. In order to reserve the opening direction of your door, please follow these simple instructions:

Remove all goods out of your freezer. Tilt the freezer backwards. Secure the rear from sliding. Tape the door to the cabinet to prevent from falling.

Note: The above figure shows that one bottom foot is on the base bracket (normal not), you will have to remove this foot from base bracket before beginning. And install it back to the base bracket after you complete it.

1. Remove the 2 hexagonal screws from base bracket.
2. Remove the pivot washer holding the bottom of the door.
3. Separate the door from the cabinet and remove the pivot axle from the upper side of the door. Remove and reinstall upper and lower axle inserts to opposite side.
4. Install the pivot axle to opposite side.
5. Re-attach the door to the cabinet and secure with tape.
6. Attach the base bracket to the opposite side.
7. Install the bottom pivot aligning with the lower pivot insert on the door. Attach the 2 hexagonal screws to base bracket.
8. Remove tape.
9. As the unit was tilted, wait 24 hours before plugging it in.

FOOD STORAGE INFORMATION

Frozen Food:

- Wipe containers before storing to avoid needless spills.
- Hot food should be allowed to cool before storing in the freezer. This will prevent unnecessary energy use.
- When storing meats, keep in the original packaging or rewrap as necessary.
- Proper freezer storage requires correct packaging. All foods must be in packages, which do not allow the flow of air or moisture in, or out. Improper storage will result in odor and taste transfer and will result in the drying out of the improperly packaged food.
- Follow package or container instructions for proper storage.
- Packaging Recommendations:
 - Plastic containers with air tight lids
 - Heavy duty aluminum foil
 - Plastic wrap made from saran film
 - Self-sealing plastic bags
- Do not refreeze defrosted/thawed foods.
- It is recommended that the freezing date be marked on the packaging.

These are some suggestions for safe storage:

- | | |
|------------------------------------|---------------|
| • TV Dinners | 3 - 4 Months |
| • Fresh Shrimp, scallops, crawfish | 3 - 6 Months |
| • Hamburger & stew meats | 3 - 4 Months |
| • Ground Turkey, veal, pork | 3 - 4 Months |
| • Chops | 4 - 6 Months |
| • Steaks | 6 - 12 Months |
| • Chicken or turkey, whole | 1 year |

HOW TO CLEAN

Cleaners: Never use harsh, abrasive cleaners, heavy-duty cleaners, or solvents on any surface.

Exterior: Wipe with damp, sudsy cloth, rinse and dry. For stubborn stains and for periodic waxing, use silicon wax.

Freezer: When unit needs defrosting turn thermostat to "OFF" ("0"). Do not use sharp metallic instruments to scrap off ice/frost.

Refrigeration Section: Wash shelves and other removable parts in warm sudsy water, rinse and dry. Wash interior with baking soda solution (3 tablespoons to 1 liter of water) or warm sudsy water, rinse and dry.

Magnetic Door Seals: Wash with warm sudsy water.

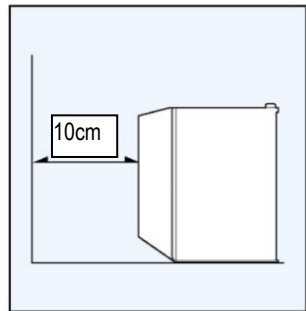
The Finishing Touch: Replace all parts and return thermostat dial to desired setting.

WARNING: Do not clean your unit with flammable fluids. The fumes can create a fire hazard or explosion.

HOW TO INSTALL

WARNING: This unit is not designed for recessed installation.

- Install freezer in a convenient location away from extreme heat and cold. Allow sufficient clearance between the freezer and sidewall so the door will open without obstruction. This freezer is not designed for recessed installation.
- Select a space with strong level floor. Not recommended for carpeting or other soft / uneven surfaces.
- Allow 10 cm of space between the unit and the sidewall to keep good air circulation. In addition, sufficient clearance (160°) should be maintained to allow the door to open properly and completely.
- The appliance must be correctly connected to the power supply, 220-240V~50Hz, with grounding
- Do not use an extension cord.



WARNING: To avoid a hazard due to instability of the appliance, it must be placed at an even or flat surface.

POWER CORD REPLACEMENT

If the freezer's power cord is damaged, have it replaced by a qualified repair agent.

CARE AND MAINTENANCE

- ▶ The freezer should be cleaned on a regular basis. (See: "HOW TO CLEAN")
- ▶ It is necessary to have an adequate ventilation space around the refrigerator in order to attain proper performance, dissipation of heat, maintain efficiency, and low power consumption. Clearance of minimum 10 centimeters should be maintained at the rear and sides of the unit and 20 cm at the top of the unit.

▶ Do not modify the power cord under any circumstance to allow the unit to be plugged into a non-grounded outlet. To avoid heat damage to the power cord, please ensure that it does not come in proximity or in direct contact with the compressor of the refrigerator.

▶ Please avoid installing the refrigerator in a location where the appliance will come in contact with water or moisture to minimize rusting of metal parts.

▶ The freezer should not be installed near any heat source or in a location where it will come in direct contact with the sunlight.

TROUBLESHOOTING GUIDE

WHAT TO DO ...

When the fridge is not in use for a prolonged period:

- Remove the plug from the outlet.
- Remove all contents from the fridge.
- Dry the interior and leave the door open for a few days.

When the freezer does not work:

- Check if there is a power failure
- Check if the power plug is plugged into the power outlet
- Check that the fuse has not blown in main supply circuit

When you wish to move the fridge:

- Secure all movable parts and contents. (Package them separately if necessary.)
- Transport the fridge only in an upright position. In any other position you may damage the compressor.

Before calling service, please follow the checklist below.
This may save you an expensive service call.

If the freezer seems too warm inside:

- Check to see that the door is closing properly and the door seal is not damaged.
- Check that the interior circulation is not obstructed by having too many goods stored. (The fridge is overloaded)
- Did you store anything hot, without first cooling it to room temperature?
- Is there sufficient clearance around all sides and above the fridge?

When the freezer is cooling excessively:

- The temperature control dial may be set too high
- If you place food sorts which contain a lot of moisture directly under the cool outlets, they will freeze easily. This does not indicate a unit malfunction.

When the defrosting water overflows inside the refrigerator and onto the floor:

- Check that the drain pipe and the drain hose are not clogged.
- Check that the drain pan is housed properly.

When condensation forms on the outside of the refrigerator:

- Condensation may form on the outside when the humidity level is high such as during a wet season. This is the same result as the condensation formed when chilled water is poured into a glass. It does not, therefore, indicate a failure, wipe dry with a dry cloth.

If the fridge starts making any unusual noises:

- Is it wobbling? Re-level it and check if it now operates normally.
- Have any objects fallen behind the fridge? If so, remove them and check if operation is now normal.
- Are any containers inside the fridge vibrating or resonating? If so, rearrange them then check to see if operation has returned to normal.

Warranty

The manufacturer provides warranty in accordance with the legislation of the customer's own country of residence, with a minimum of 1 year (Germany: 2 years), starting from the date on which the appliance is sold to the end user.

The warranty only covers defects in material or workmanship.

The repairs under warranty may only be carried out by an authorized service centre. When making a claim under the warranty, the original bill of purchase (with purchase date) must be submitted.

The warranty will not apply in cases of:

- Normal wear and tear
- Incorrect use, e.g. overloading of the appliance, use of non-approved accessories
- Use of force, damage caused by external influences
- Damage caused by non-observance of the user manual, e.g. connection to an unsuitable mains supply or non-compliance with the installation instructions
- Partially or completely dismantled appliances