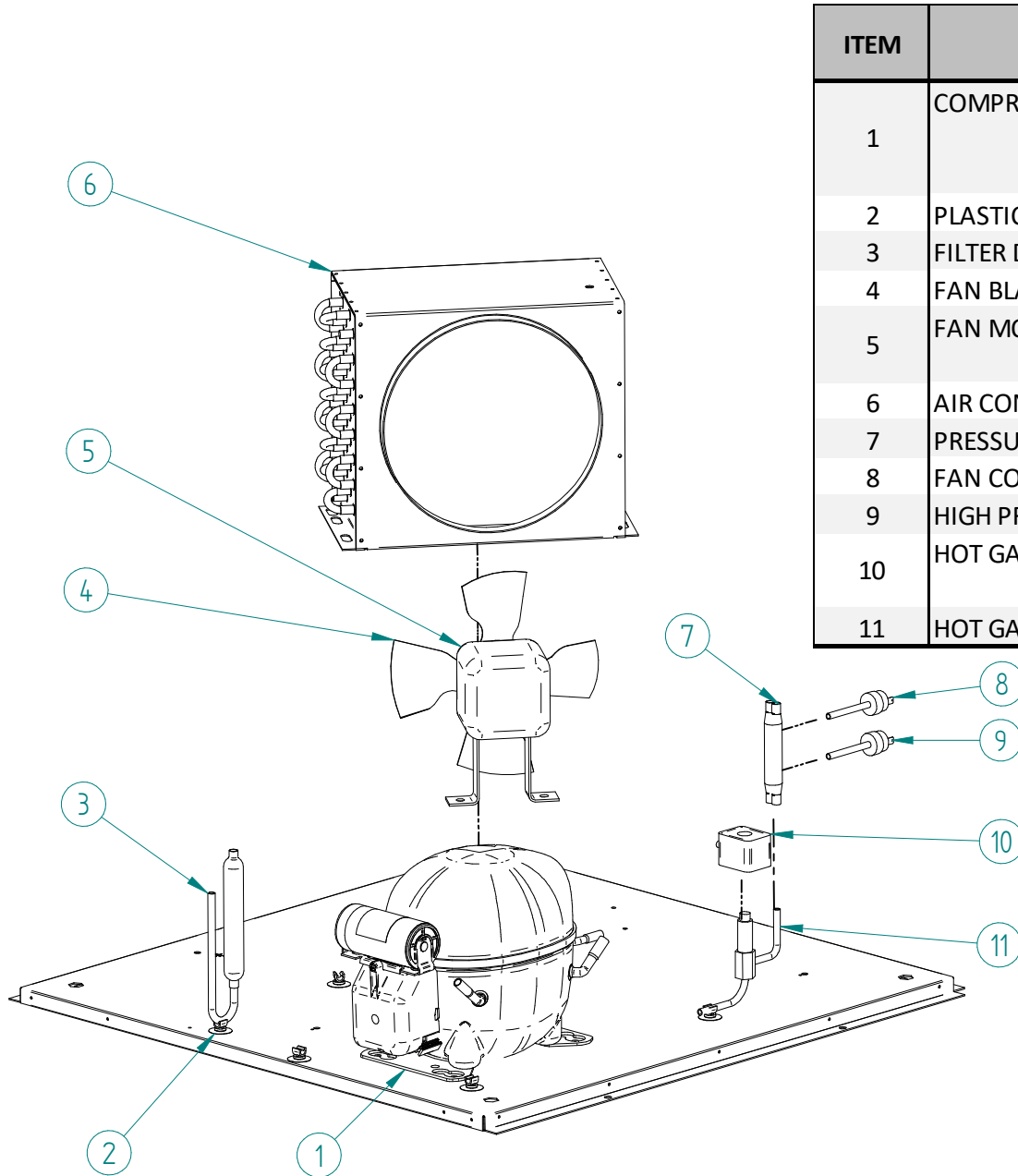


ggm gastro

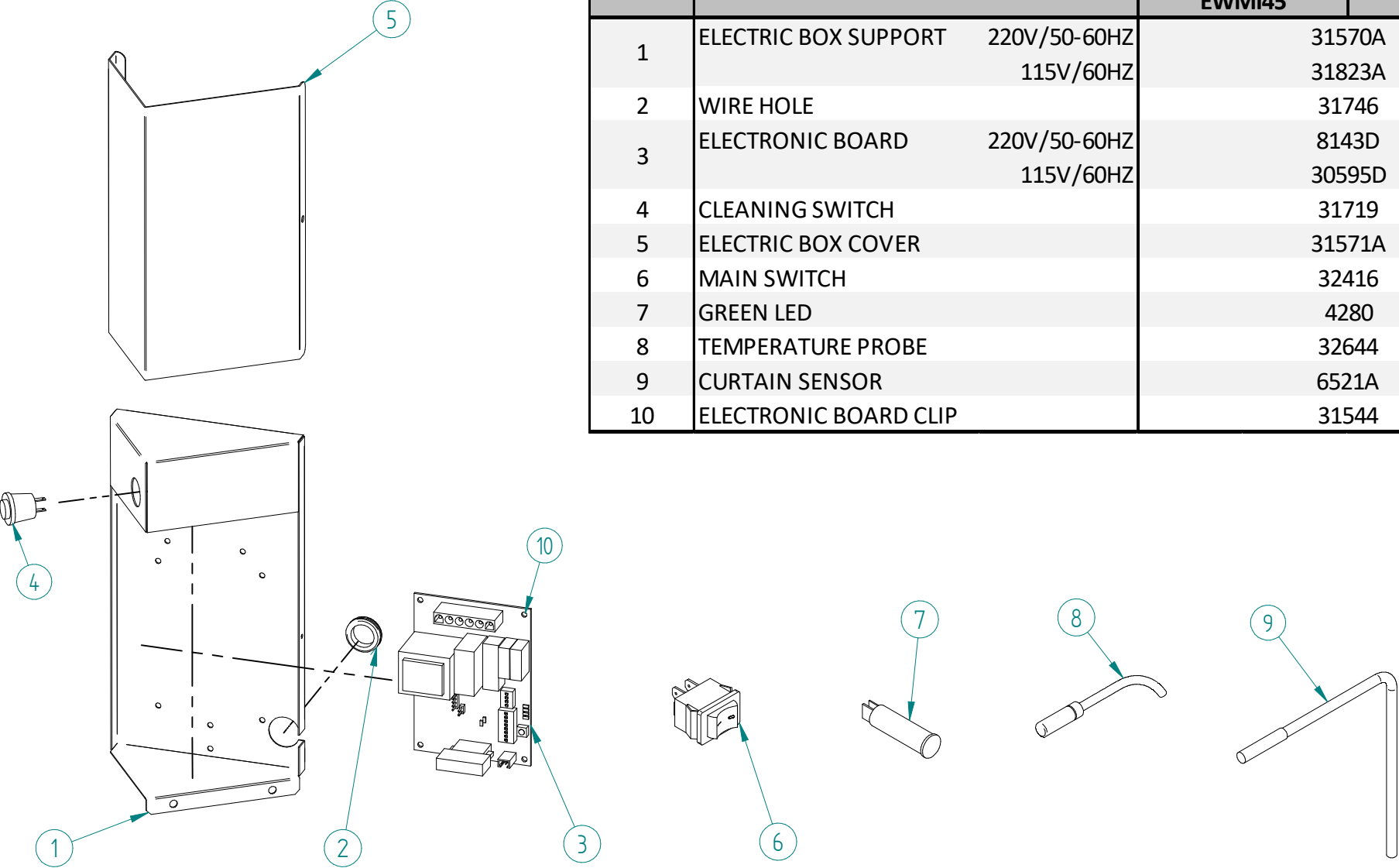
INTERNATIONAL

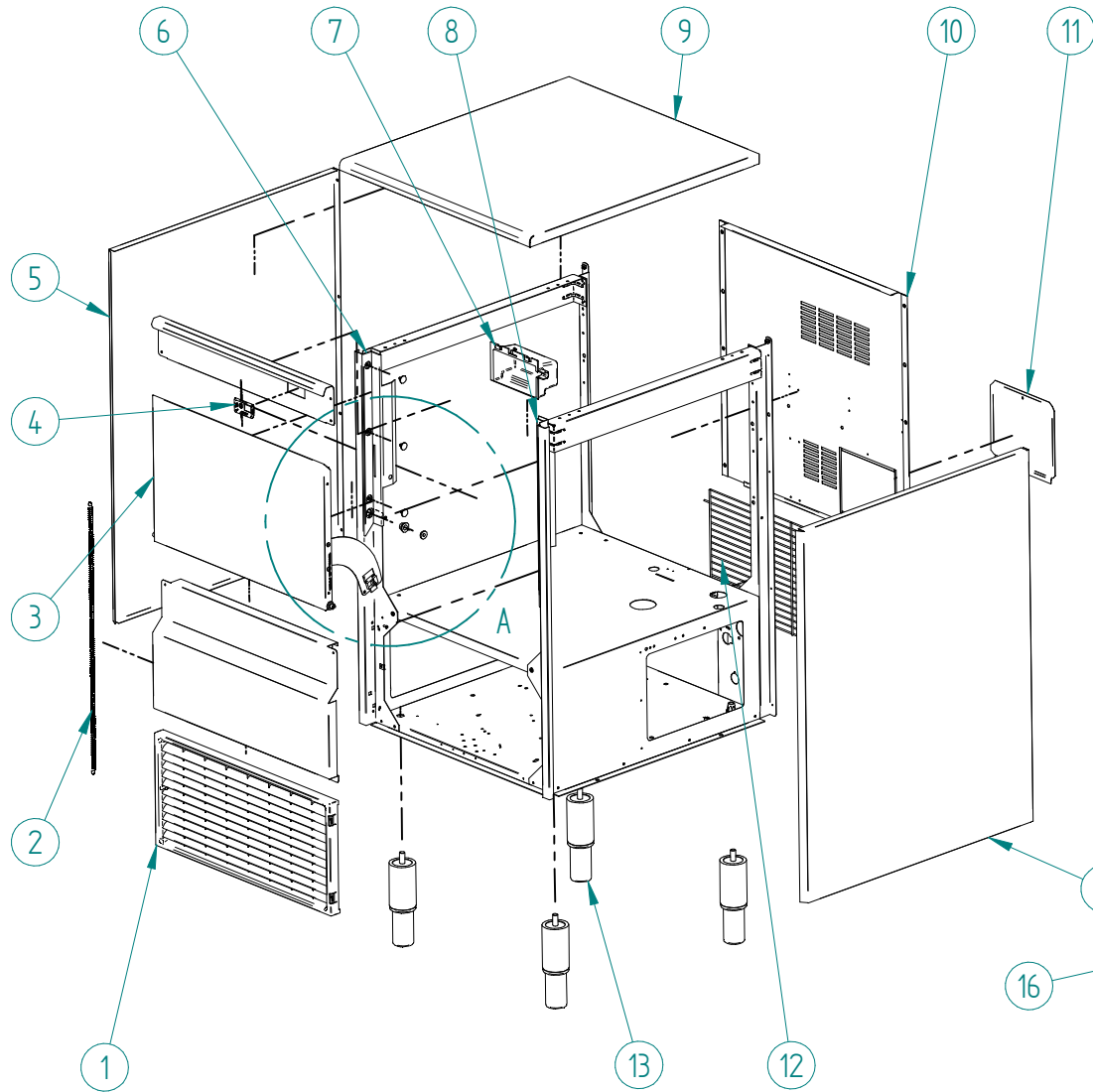
DESPIECE / REPUESTOS
EXPLODED VIEW / SPARE PARTS
EXPLOSIONSZEICHNUNG / ERSATZTEILE
VUE ÉCLATÉÉ / PIÈCES DÉTACHÉES
ESPLOSO / RICAMBI



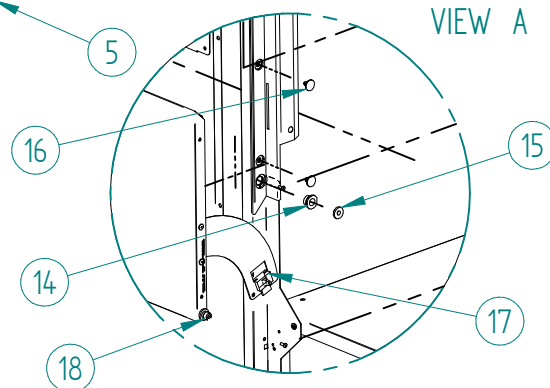
ITEM	DESCRIPTION	EWMI 45 99	
		EWMI45	EWMI99
1	COMPRESSOR 220V/50HZ 220V/60HZ 115V/60HZ	31300	31303
		31450	31452
2	PLASTIC CLIP 1/4"		3533
3	FILTER DRIER		7896
4	FAN BLADE		4887
5	FAN MOTOR 220V/50-60HZ 115V/60HZ		28
			4890
6	AIR CONDENSER	486	487
7	PRESSURE SWITCH COLLECTOR		31444
8	FAN CONTROL PRESSURE SWITCH		31160E
9	HIGH PRESSURE SWITCH		31660E
10	HOT GAS VALVE - COIL 220V/50-60HZ 115V/60HZ		5173
			5414
11	HOT GAS VALVE - BODY	1468	1473

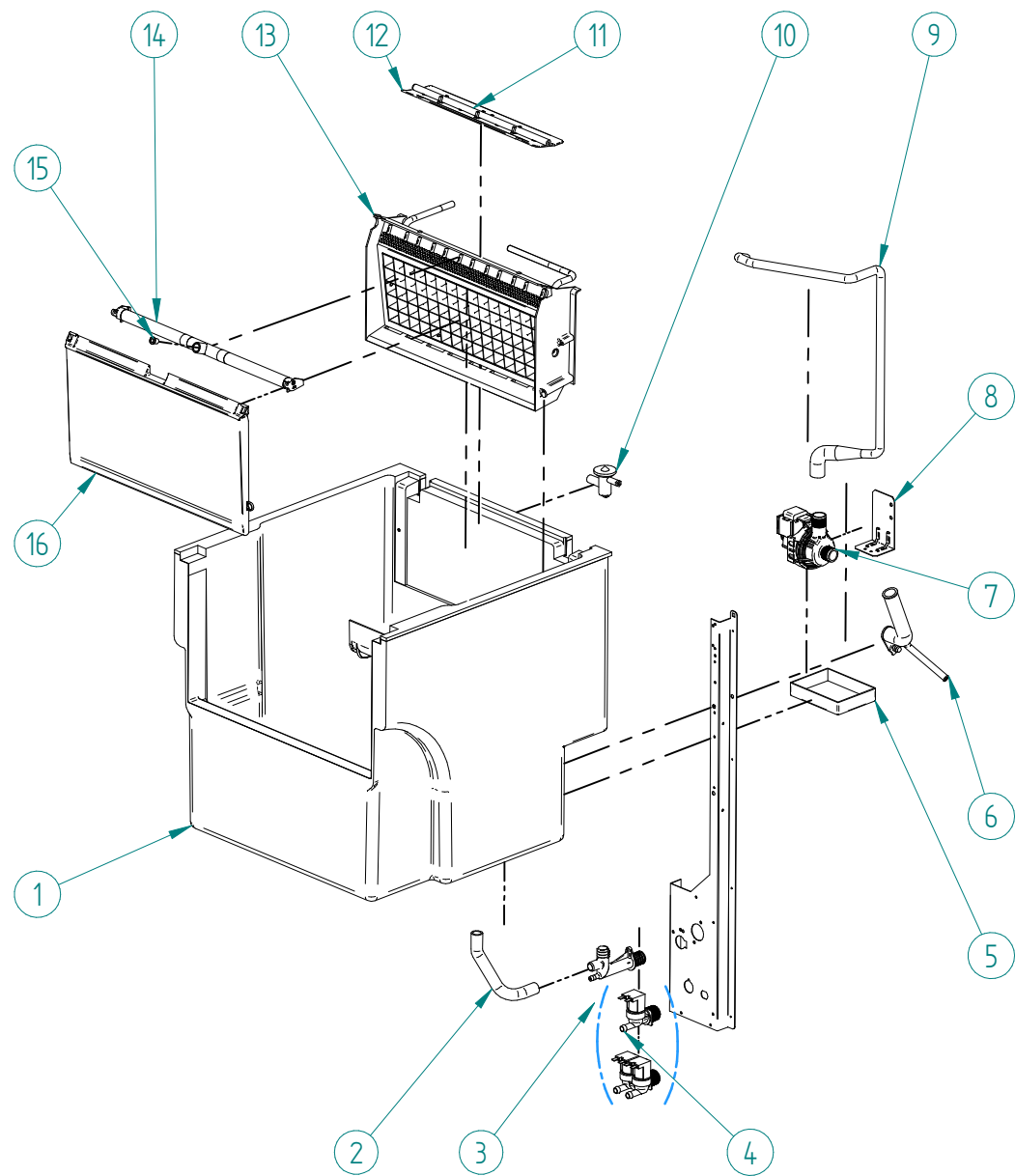
ITEM	DESCRIPTION	EWMI 45 99	
		EWMI45	EWMI99
1	ELECTRIC BOX SUPPORT 220V/50-60HZ 115V/60HZ		31570A 31823A
2	WIRE HOLE		31746
3	ELECTRONIC BOARD 220V/50-60HZ 115V/60HZ		8143D 30595D
4	CLEANING SWITCH		31719
5	ELECTRIC BOX COVER		31571A
6	MAIN SWITCH		32416
7	GREEN LED		4280
8	TEMPERATURE PROBE		32644
9	CURTAIN SENSOR		6521A
10	ELECTRONIC BOARD CLIP		31544



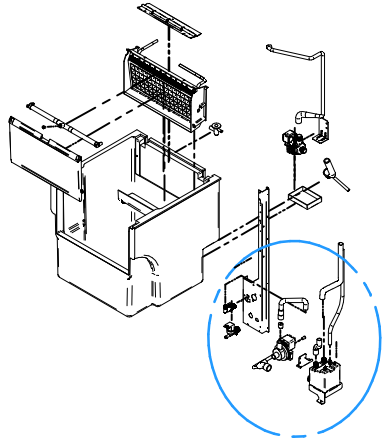


ITEM	DESCRIPTION	EWMI 45 99	
		EWMI45	EWMI99
1	FRONT LOUVER	4393	8699
2	DOOR SPRING		702
3	DOOR ASSEMBLY	5791	6295
4	MAIN SWITCH SUPPORT		32441
5A	RIGHT PANEL		6285
5B	LEFT PANEL	489UA	6286
6	LEFT DOOR GUARD		83
7	MAIN SWITCH BOX		31665
8	RIGHT DOOR GUARD		82
9	TOP PANEL	4170A	6283A
10	REAR COVER	4172A	6300
11	COVER PUMP		6306
12	REAR GRILL	4088	6209
13	LEG		1478
14	DOOR AXE BEARING		1001
15	DOOR AXE BUSHING		155
16	CLIP		113
17	DOOR BUMPER		156
18	DOOR SCREW		392





ITEM	DESCRIPTION	EWMI 45 99	
		EWMI45	EWMI99
1	BIN	6245U	6246U
2	DRAIN TUBE		2222
3	DRAIN FITTING		363
4	INLET WATER VALVE	220V/50HZ	329
		220V/60HZ	N/A
		115V/60HZ	2783
5	WATER PUMP TRAY		4521
6	WATER PUMP SUCTION TUBE		4961
7	WATER PUMP	220V/50HZ	4769
		115-220V/60HZ	31982
8	PUMP SUPPORT	220V/50HZ	4956
		115-220V/60HZ	32022
9	WATER PUMP DISCHARGE TUBE	6126	6128
10	EXPANSION VALVE	31521	31523
11	WATER INLET TUBE	6462	N/A
12	WATER INLET SUPPORT	6099	N/A
13	EVAPORATOR FULL DICE ASSY		6230
			6233
14	FRONT WATER DISTRIBUTOR	30041A	30039
15	WATER FLOW RESTRICTOR	220V/50HZ	6403
		115-220V/60HZ	32006
16	CURTAIN	6095B	6093A



ITEM	DESCRIPTION	EWMI 45 99	
		EWMI45	EWMI99
1	PUMP OUT DRAIN FORCE TUBE		32457
2	DRAIN FORCE TUBE DISCHARGE WATER BIN		32453
3	VENT TUBE		1719
4	PLUG		614
5	DRAIN FORCE TUBE DISCHARGE BIN		32456
6	DRAIN FORCE BUCKET SET		
7	DRAIN FORCE PUMP SUPPORT		
8	DRAIN FORCE PUMP SUCTION TUBE		32455
9	DRAIN FORCE PUMP	220V/50Hz	32624
		220V/60Hz	32622
		115V/60Hz	32623
10	CHECK VALVE RX3/4		32451
11	DRAIN FORCE FITTING		30850

