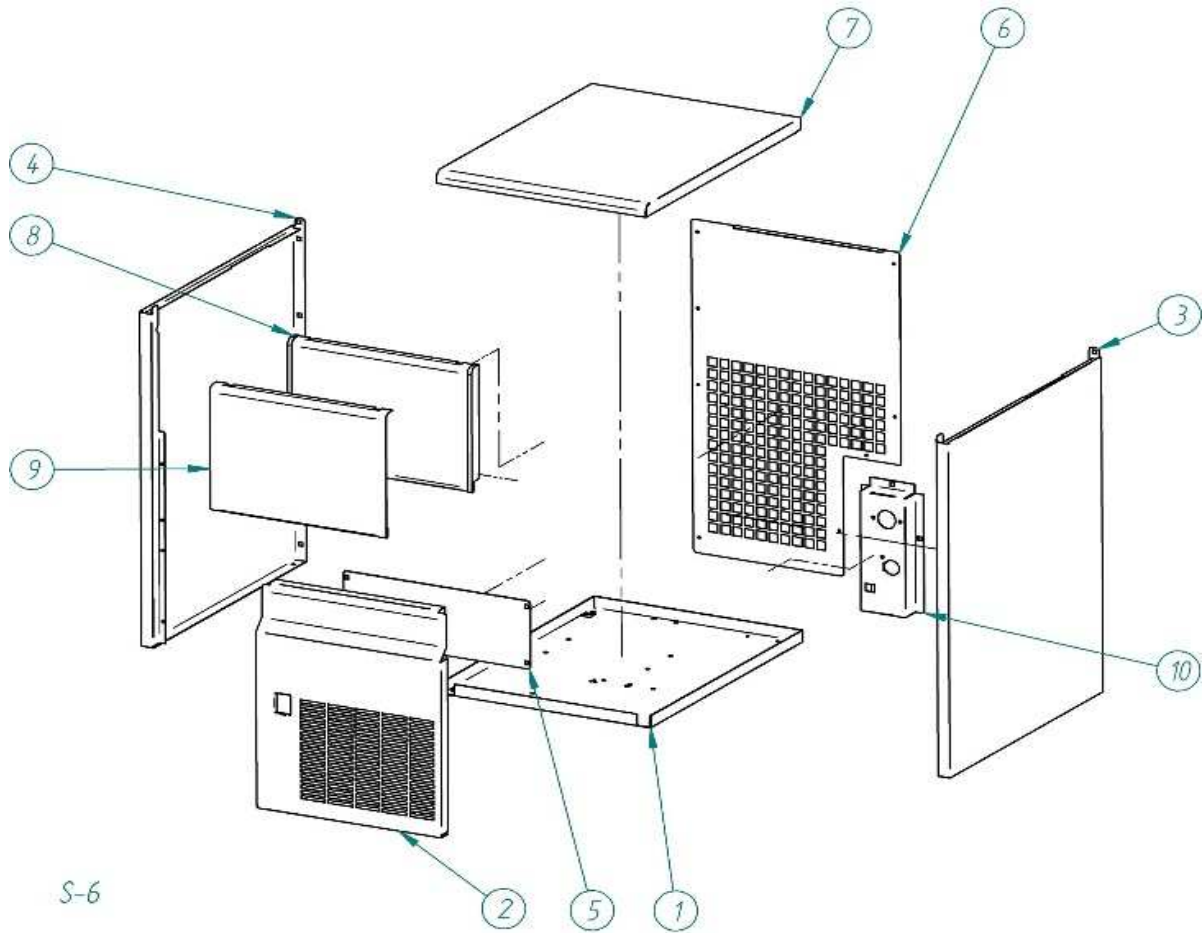


SS25 / SK25 CABINET

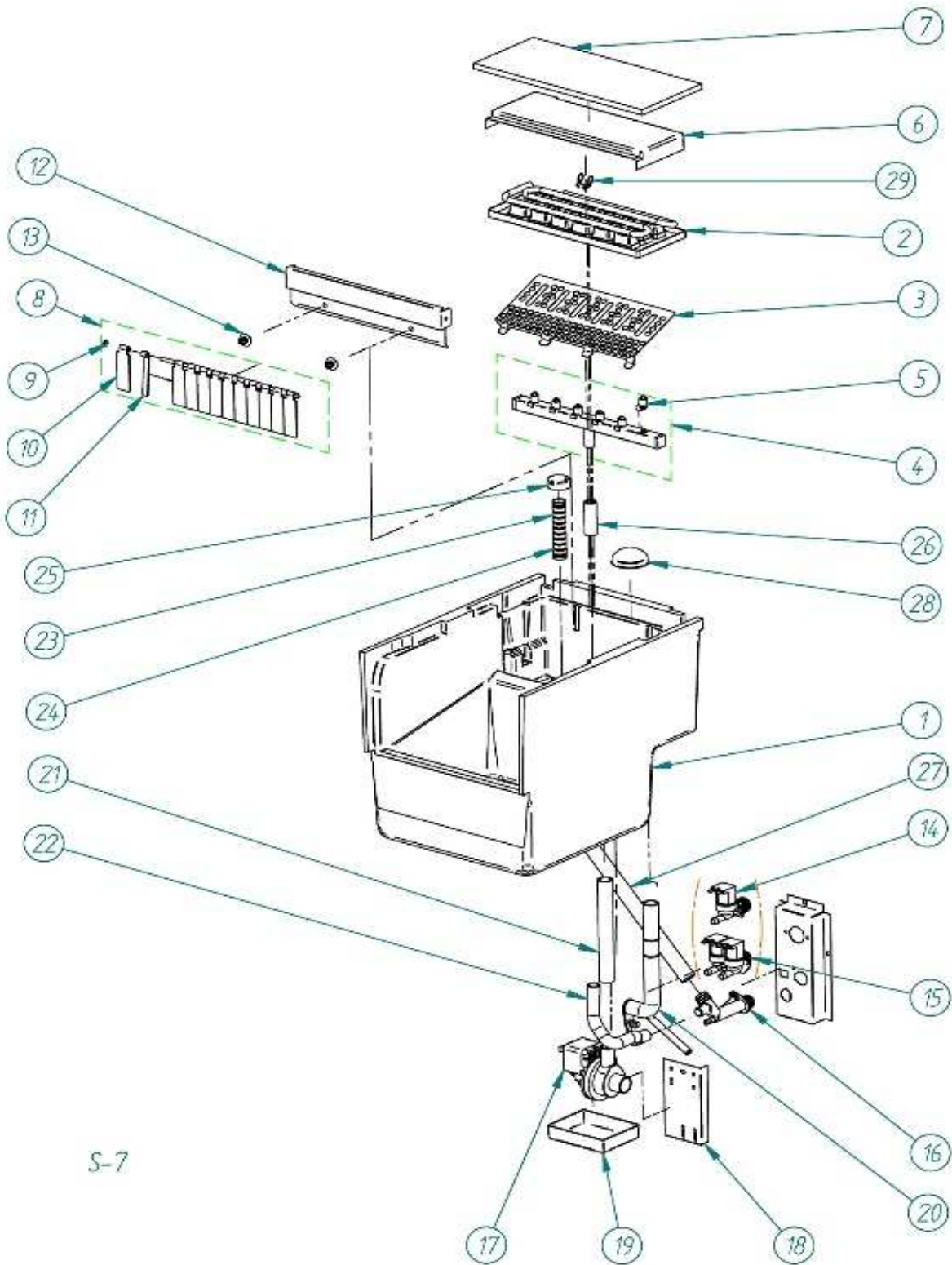


S-6

SS25 / SK25 CABINET

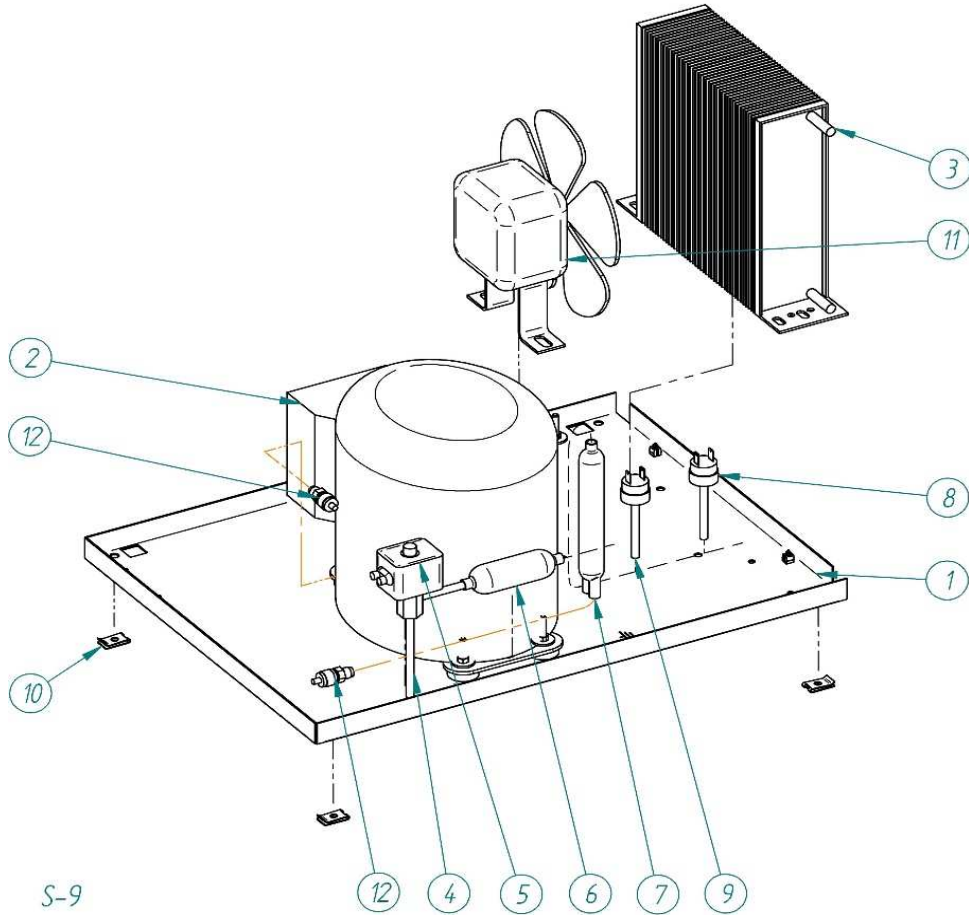
	NAME	CODE
1	BASEMENT	1300
2	FRONT PANEL SS	4918
	FRONT PANEL SK	4916
3	RIGHT PANEL SS	2294
	RIGHT PANEL SK	4914
4	LEFT PANEL SS	2295
	LEFT PANEL SK	4915
5	FRONT REINFORCEMENT	1327
6	TRASERA	1794
7	TOP COVER SS	1925
	TOP COVER SK	4917
8	DOOR	853
9	DOOR COVER SS	-
	DOOR COVER SK	-
10	JUNCTION COLUMN	1934

CUBA STOCK SS / SK 25



CUBA STOCK SS / SK 25		
	NAME	CODE
1	STOCK BIN	7002
2	EVAPORATOR	6921 (16gr)
3	ICE CUBES RAMP	
	FROM S/N 15834713	8885
	UNTIL S/N 15834713	1389
4	COLLECTOR	7333
5	SPRAY NOZZLE	526
6	EVAPORATOR COVER	1432
7	EVAPORATOR INSULATION	-
8	COMPLETED CURTAIN	5223
9	CURTAIN JOINT	107
10	OUTSIDE CURTAIN	1213
11	INSIDE CURTAIN	1212
12	EVAPORATOR SUPPORT	1435
13	CURTAIN CLIP	3533
14	ELECTROVALVE 1B	1673
15	ELECTROVALVE 1B/1B	1674
16	DRAIN COLLECTOR	363
17	PUMP	4769
18	PUMP SUPPORT	4613
19	PUMP TRAY	4521
20	SUCTION PIPE	4961
21	FORCE PIPE	4744
22	DRAIN PIPE	2189
23	OVERFLOW PIPE	4426
24	SEAL JOINT	4496
25	OVERFLOW PIPE CAP	4427
26	COLLECTOR PIPE	993
27	DRAIN TUBE	2752
28	FILTER	580
29	TUBE CLIP	4534

SS / SK 25 AIR UNIT CONDENSER

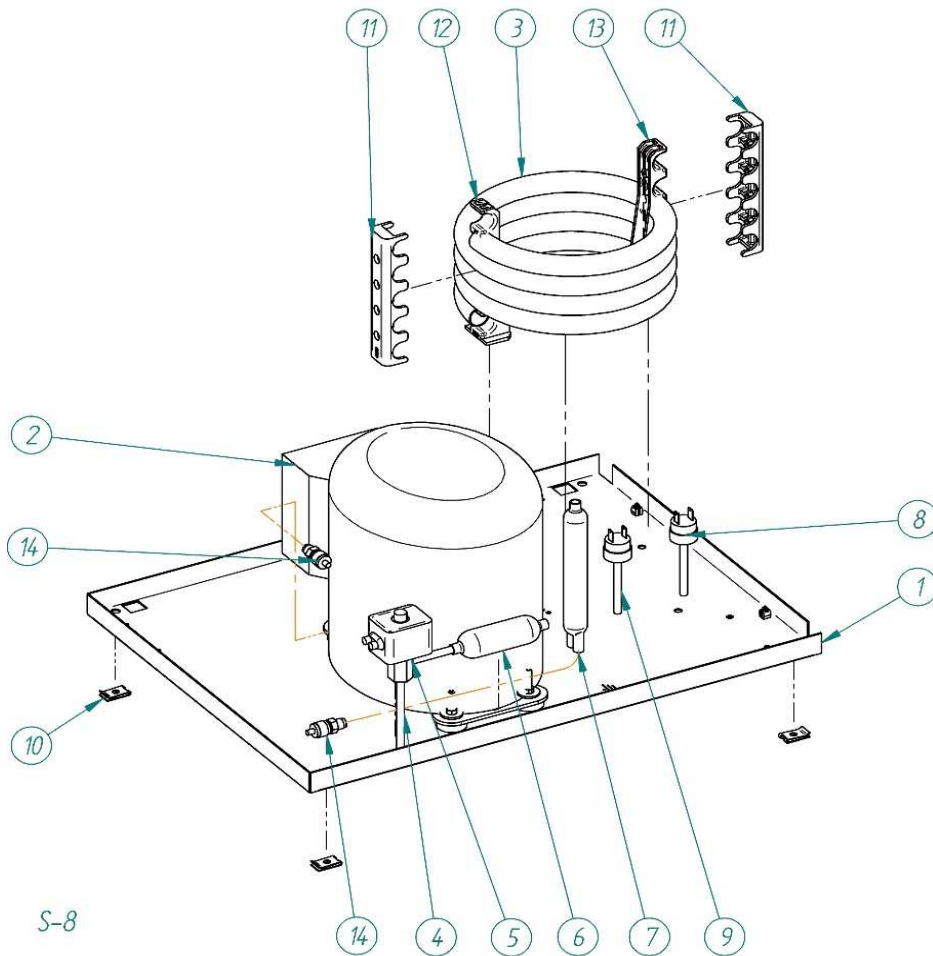


S-9

SS / SK 25 AIR UNIT CONDENSER

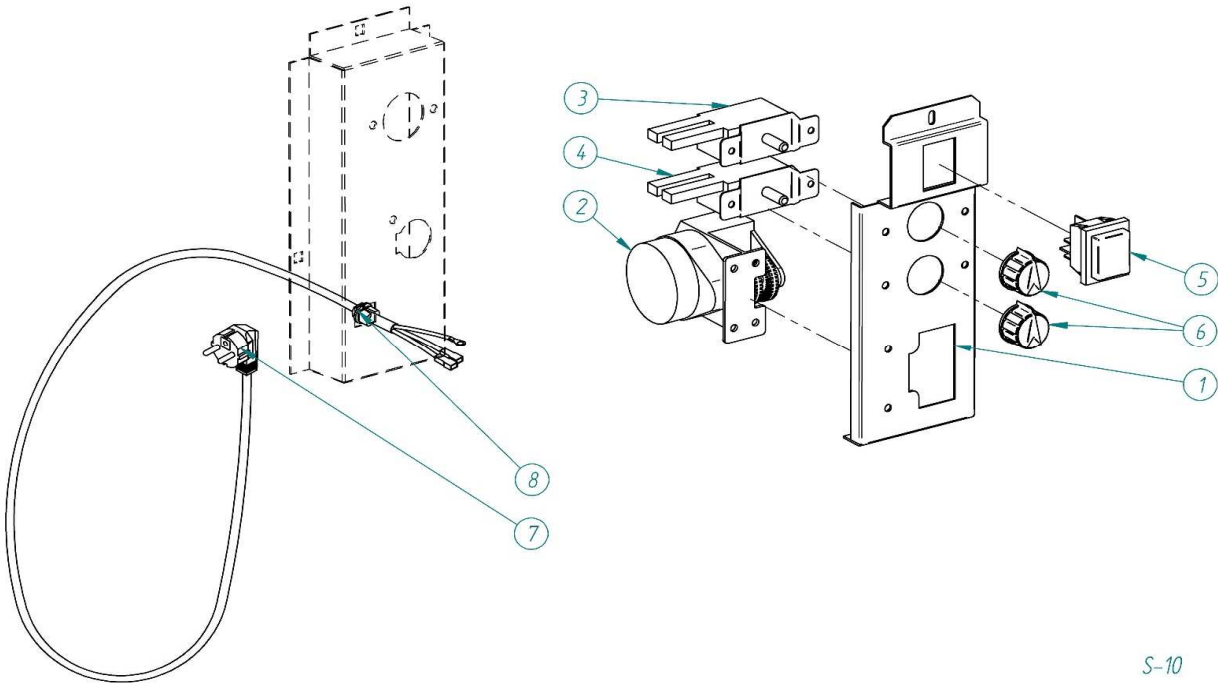
	NAME	CODE
1	BASEMENT	1300
	COMPRESSOR 220/50Hz	
	FROM S/N 15917430	8435
2	FROM S/N 1291829	6838
	UNTIL S/N 1291829	434
	COMPRESSOR 115/60Hz	2800
3	CONDENSER	2423
	FROM S/N 1291829	6907
	HOT GAS VALVE	
4	FROM S/N 1291829	1473
	UNTIL S/N 1291829	6904
	COIL 220/50Hz	
	FROM S/N 1291829	6906
5	UNTIL S/N 1291829	5173
	COIL 115/60Hz	5414
6	FILTER	448
7	DRYER	6856
8	CONDENSATION PRESSURE SWITCH	7476
	SECURITY PRESSURE SWITCH	
9	FROM S/N 1291829	NO
	UNTIL S/N 1291829	334
10	CLIP	5284
11	CONDENSER FAN 220/50Hz	2170 + 587
	CONDENSER FAN 115/50Hz	2913
12	REFILL VALVE	335

SS / SK 25 WATER UNIT CONDENSER



SS / SK 25 WATER UNIT CONDENSER		
	NAME	CODE
1	BASEMENT	1300
2	COMPRESSOR 220/50Hz	
	FROM S/N 15917430	8435
	FROM S/N 1291829	6838
	UNTIL S/N 1291829	434
2	COMPRESSOR 220/60Hz	1089
	COMPRESSOR 115/60Hz	2800
3	WATER CONDENSER	5224
4	HOT GAS VALVE	
	FROM S/N 1291829	1473
	UNTIL S/N 1291829	6904
5	COIL	
	FROM S/N 1291829	5173
5	UNTIL S/N 1291829	6906
6	FILTER	448
7	DRYER	6856
8	CONDENSATION PRESSURE SWITCH	7476
	SECURITY PRESSURE SWITCH	
9	FROM S/N 1291829	4528
	UNTIL S/N 1291829	334
10	CLIP	309
11	EXTERNAL BRACKET	4038
12	BOTTOM BRACKET	4037
13	TOP BRACKET	4036
14	REFILL VALVE	335

SS / SK 25 ELECTRIC BOARD (ELECTROMECHANIC CONTROL)

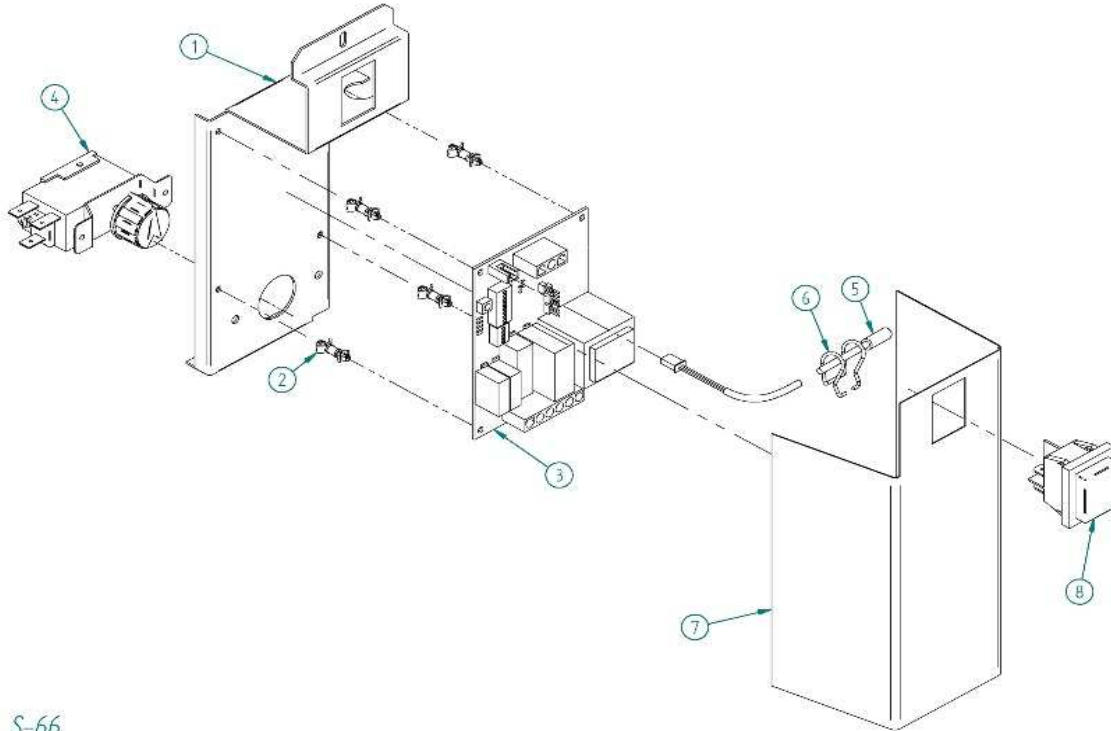


S-10

SS / SK 25 ELECTRIC BOARD (ELECTROMECHANIC CONTROL)

	NAME	CODE
1	BOARD FRAME	1988
2	TIMER 15" 220/50Hz	4864C
2	TIMER 15" 115/60Hz	4865C
3	CYCLE THERMOSTAT	
3	FROM S/N 1291829	4513
3	UNTIL S/N 1291829	153
4	STOCK THERMOSTAT	274
5	SWITCH	2287
6	THERMOSTAT BUTTON	272
7	ATTACHMENT PLUG 220/50Hz	408
7	ATTACHMENT PLUG 115/60Hz	2771
7	ATTACHMENT PLUG 220/60Hz	-
8	CABLE LOCKER	664
8	CABLE LOCKER 115/60Hz	4907

SS / SK 25 ELECTRICAL BOARD (ELECTRONIC CONTROL)



S-66

SS / SK 25 ELECTRICAL BOARD (ELECTRONIC CONTROL)

	NAME	CODE
1	ELECTRIC BOARD SUPPORT	8166
2	BOARD CLIP	8186
3	CONTROL BOARD	8143
4	THERMOSTAT STOCK	274
5	TEMPERATURE SENSOR NTC	3004
6	SENSOR SUPPORT STAPLE	8218
7	ELECTRIC BOARD CURTAIN	8213
8	SWITCH	2287