

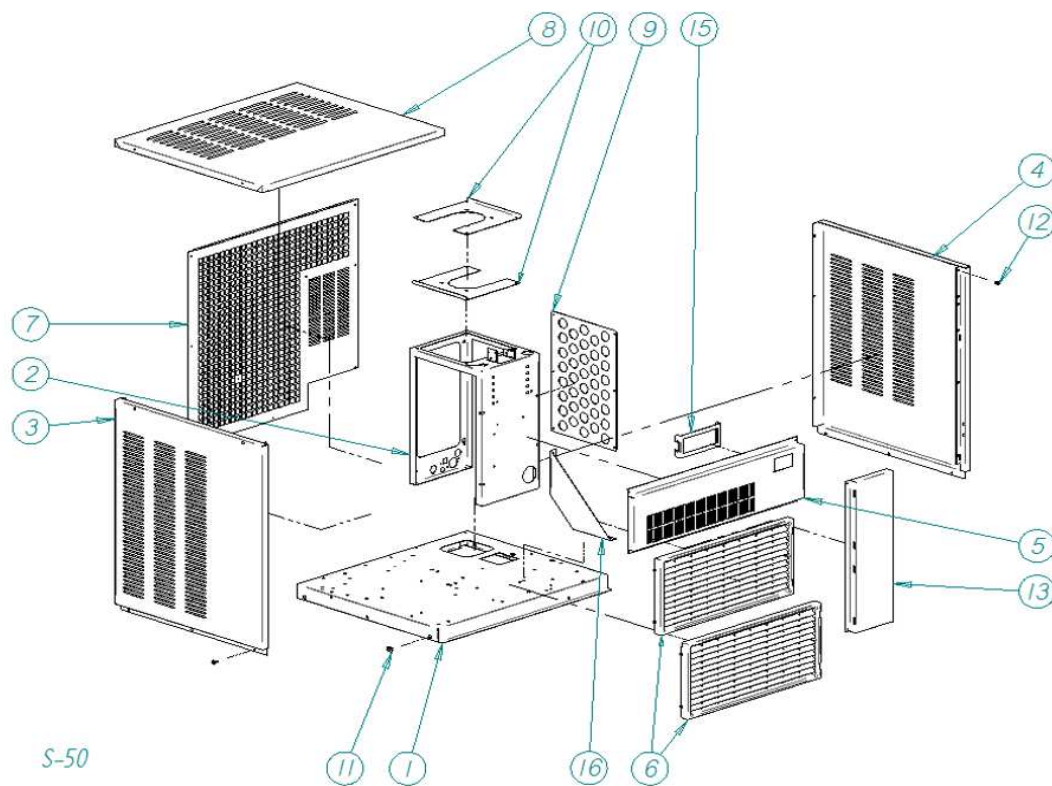


**FEI**

---



DESPIECE / REPUESTOS  
EXPLODED VIEW / SPARE PARTS  
EXPLOSIONSZEICHNUNG / ERSATZTEILE  
VUE ÉCLATÉE / PIÈCES DÉTACHÉES  
ESPLOSO / RICAMBI



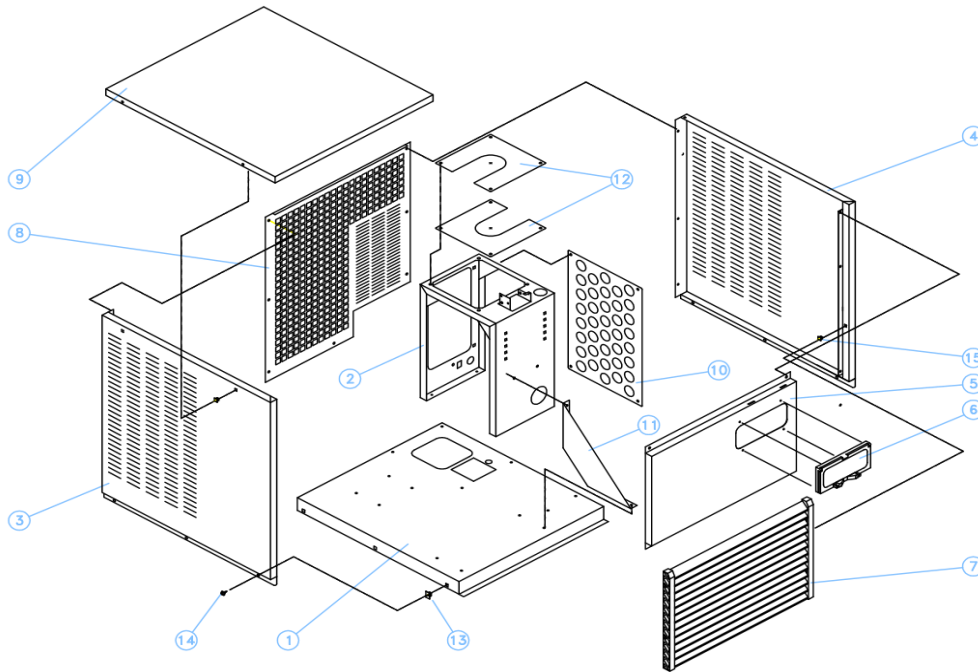
S-50

	NAME	MODEL			
		FEI135	FEI220	FEI390	FEI565
1	BASE	1915	2456	2475	
2	BRIDGE	1916	2458	2476	2715
3	LEFT PANEL	1928	2464	2479	2711
4	RIGHT PANEL	1927	2463	2478	2710
5	FRONT PANEL	6646	6647	(I) 6648	(I) 6650
		---	---	(III) 6653	(III) 6651
6	AIR GRILLE	6084	4185 X 2	4186 X 2	4186 X 3
7	BACK PANEL	1949	2466	2481	2712
8	TOP PANEL	2465		2480	
9	LATERAL COVER	---	---	---	2717
10	SUPPORT BRIDE	2455 X 2		2477 X 2	
11	PLASTIC NUT	2440			
12	PLASTIC NUT	2347			
13	FRONT PANEL	---	6656	6657	6658
15	LED SUPPORT	6659			
16	REAR STAY	---	1417		

# CABINET



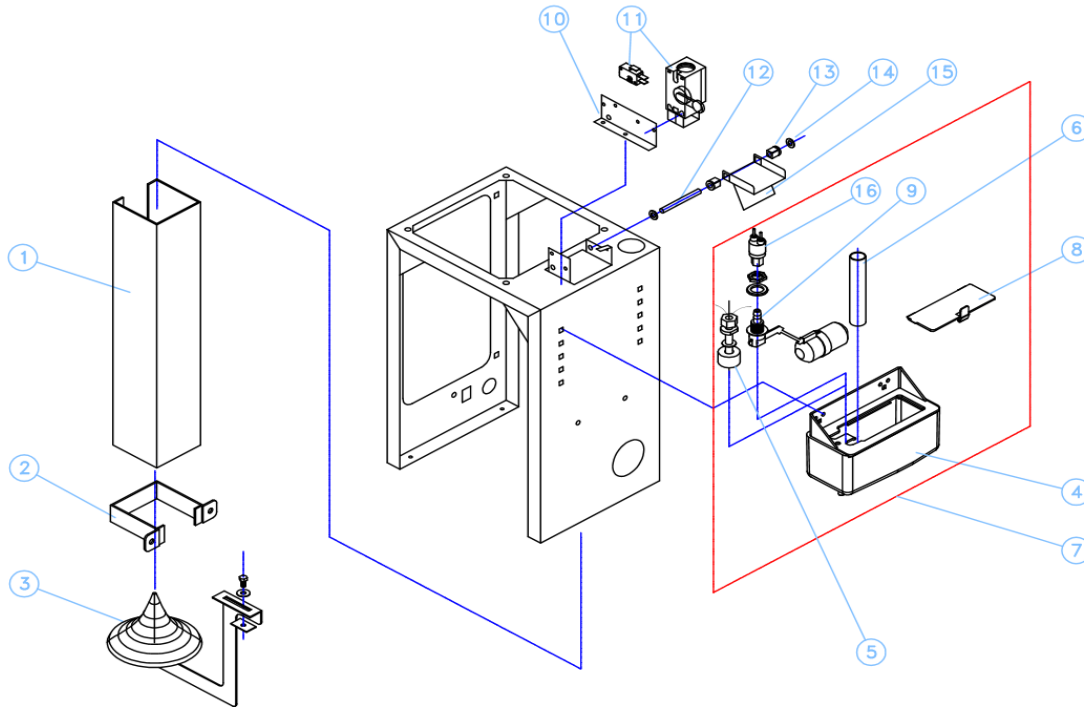
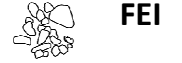
UNTIL SERIAL NUMBER 1232138



S-18

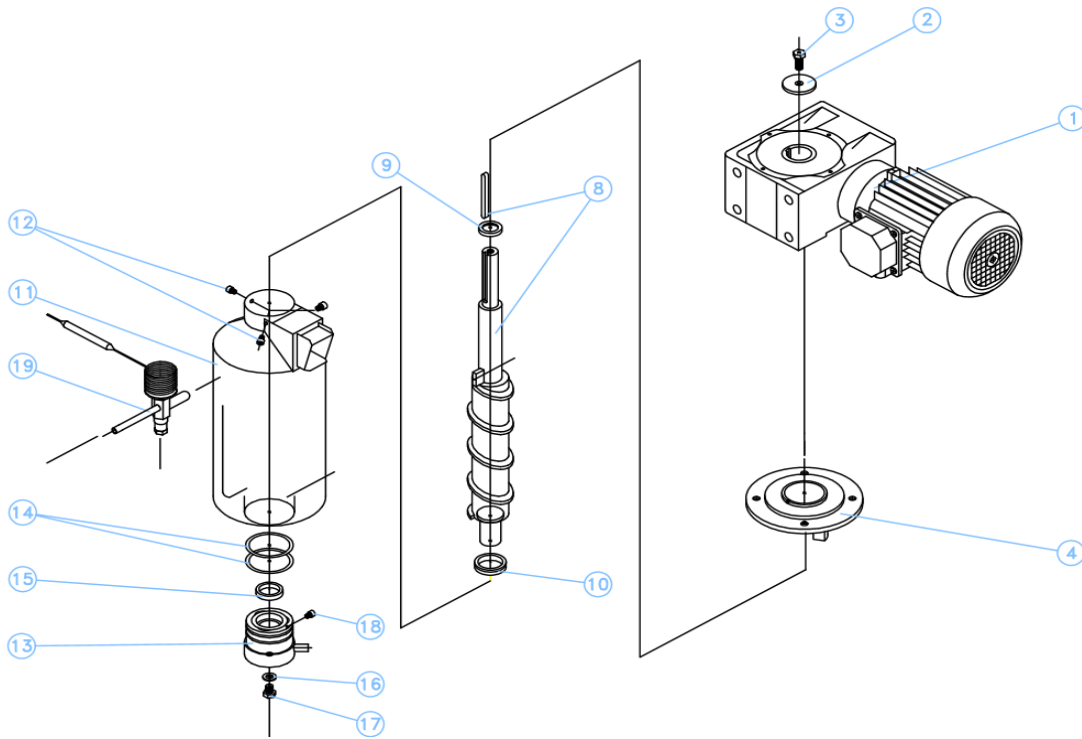
	NAME			
	FEI135	FEI220	FEI390	FEI565
1	BASE	1915	2456	2475
2	BRIDGE	1916	2458	2476
3	LEFT PANEL	1928	2464	2479
4	RIGHT PANEL	1927	2463	2478
5	FRONT PANEL	1948	2467	2482
6	PLASTIC COVER	1479		
7	REAR GRILLE	7571		7573
8	REAR PANEL	1949	2466	2481
9	TOP COVER	2465		2480
10	SIDE REINFORCEMENT	---	---	2717
11	CORNER REINFORCEMENT	---	1417	
12	MOTO BRACKET	2455		2477
13	SMALL NUT	2440		
14	SCREW	2491		
15	PLASTIC NUT	2347		

# BIN & HIDRAULICS PARTS



S-19

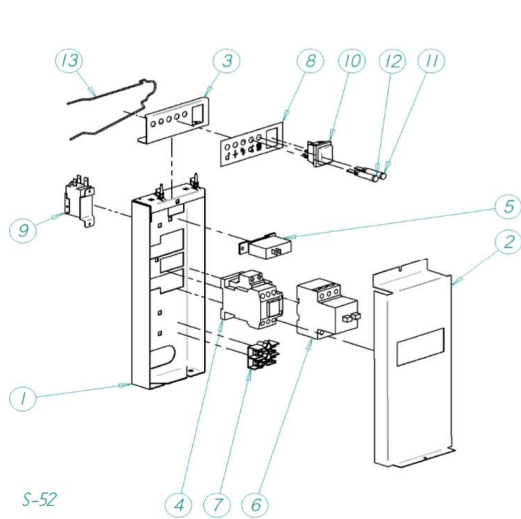
	NAME				
	FEI135	FEI220	FEI390	FEI565	
1	ICE DELIVERY CHUTE	2441	2442	2443	2444
2	ICE DELIVERY CUBE FLANGE		2447		
3	DISPERSION CONE		7228		
4	WATER BIN		6036A		
5	WATER LEVEL PROBE		5423		
6	OVERFLOW TUBE		2505		
7	COMPLETE WATER BIN		5231A		
8	WATER BIN COVER		1968		
9	FLOAT		5340		
10	MICRO SUPPOTY	---			2863
11	STOP MICRO	2517			2562
	STOP MICRO (old GR560)		---		
12	SHAFT		2514		
13	DOOR BUSHING		171		
	ARTICULATION JOINT(old units)		107		
14	ARTICULATION JOINT		6004		
15	STOP FLOATING		2434		
16	WATER PRESSURE SWITCH (old GR560)	---			1120
15	STOP FLOATING SPRING		817		



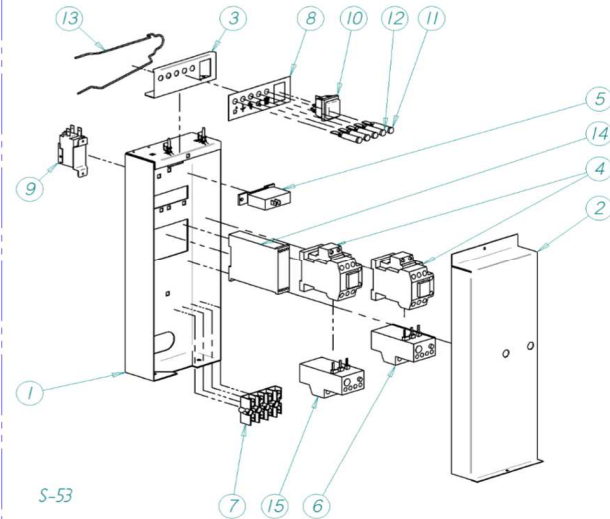
S-17

	NAME	MODEL			
		FEI135	FEI220	FEI390	FEI565
1	GEAR MOTOR				
	220V/50Hz	3201		3202	31083
	380V/50-60Hz	---		510	30363
	Old three phase (before 17971560) 380V/50-60Hz	---		510	31249
	230V/60Hz	1031		1253	1031
2	WASHER	2512			1850
3	SCREW	3297			719
4	MOTOR SUPPORT	5365			30874
	MOTOR SUPPORT (before 17971560)	5365			5366
8	AUGER	2245	2246	50	894
9	WASHER (before 17971560)	---	---		1820
10	V-RING SEAL	2334			2335
11	EVAPORATOR	7633	7634	7635	7636
12	SCREW	2871 (M6) -- 3560(M10)			
13	BOTTOM BEARING	125			162
14	O-RING	2256			2484
15	SEAL	725			726
16	WASHER		2510		
17	SCREW		2449		
18	SCREW		2595		
*	COMPLETE EVAPORATOR KIT	7194	7195	7179	7177

SINCE SERIAL NUMBER 1232138

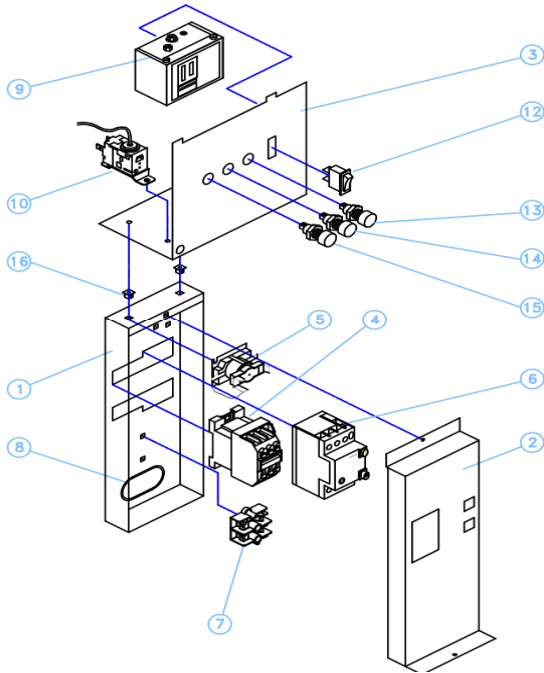


THREE PHASE GR 560

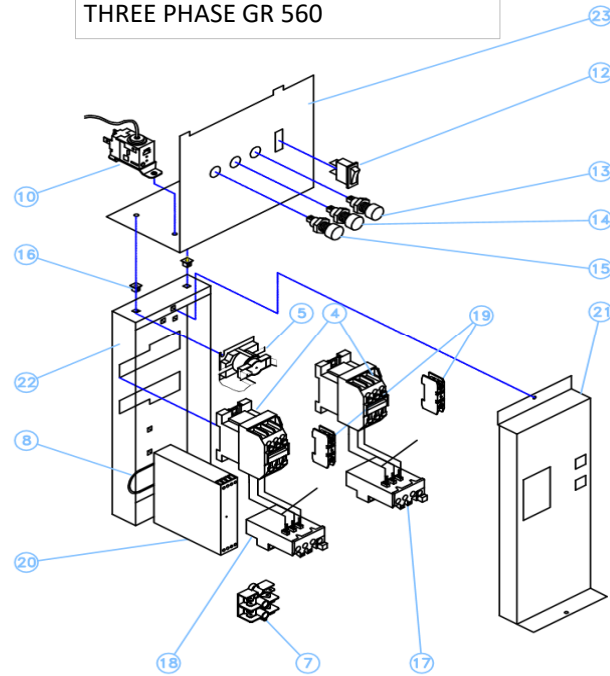


	NAME			
	FEI135	FEI220	FEI390	FEI565
1	BASE	2472(I) - 3218(III)		
2	COVER	2974(I) - 3221(III)		
3	LED SUPPORT		6659	
4	CONTACTOR		536A	
5	TIMER		2471	
6	GEAR MOTOR OVERLOAD	2470		1964(I) - 47135(III)
7	CONNECTING POINT		5177	
8	BUSHING		6662	
9	CONDENSATION PRESSURE SWITCH		2507	
10	SWITCH		2287	
11	ORANGE LED		1458	
12	RED LED		1457	
13	LED MOORING		6661	
14	PHASE SEQUENCE RELAY		3210	
15	COMPRESOR OVERLOAD		47509	

UNTIL SERIAL NUMBER 1232138



THREE PHASE GR 560

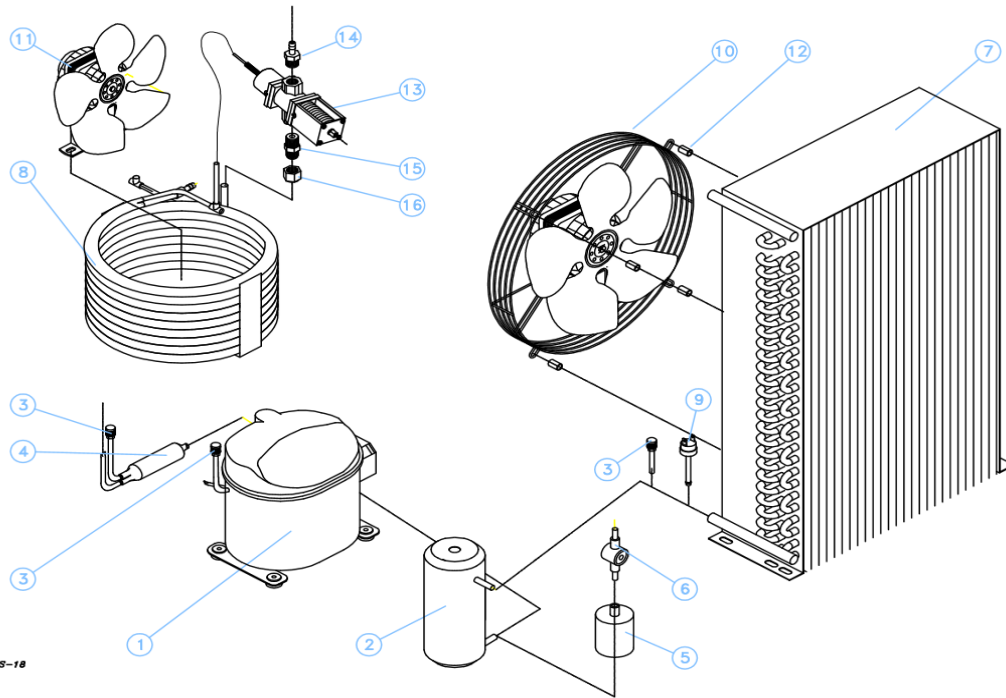


	DENOMINACION			
	FEI135	FEI220	MODELO FEI390	FEI565
1	BASE			2472
2	COVER			2974
3	PILOT SUPPORT	1950	2473	2483 2714
4	CONTACTOR			536A
5	TIMER			2471
6	BREAKER	2470		1964
7	CONNECTING POINT			5177
8	BUSHING			731
10	CONDENSATION PRESSURE SWITCH			2507
12	SWITCH			2300
13	GREEN PILOT			825
14	ORANGE PILOT			2498
15	RED PILOT			826
17	OVERLOAD GEAR MOTOR	---		47135
18	OVERLOAD COMPRESSOR	---		47509
19	AUX. CONTACT			3219
20	PHASE DETECTOR			3210
21	BOX COVER			3221
22	BASE			3218
23	PILOT SUPPORT			3220

# AIR-WATER CONDENSER



FEI



8-18

	NAME	MODEL				
		FEI135	FEI220	FEI390	FEI565	
1	COMPRESSOR	230V - 50HZ	8437	8438	30441	30442
		230V - 60HZ	81095	81098	32029	
		115V - 60HZ	---		2026	---
		TRIF. 380V - 50HZ	---		34364	30525
2	LIQUID ACCUMULATOR (old units)	---		432	---	
3	VALVE	335				
4	DRIER	1717		1096	---	
5	DRIER	---			2560	
6	SIGHT GLASS (old units)	---			336	
7	AIR CONDENSER		488	499	8181	8181
		old units	---		1032	2474
8	WATER CONDENSER	5243	5244	5246	5879	
9	HIGH PRESSURE SWITCH	334				
10	AIR CONDENSER FAN	230V - 50HZ	445+4495	410+4994	2446	7523
		230V - 60HZ	445+4495	445+4495	2446	7523
		115V - 60HZ	---		230	---
		3 P.. 380V - 50HZ	---		2446	7523
		230V - 50HZ	444			
11	WATER CONDENSER FAN(old units)	230V - 60HZ	444			
		115V - 60HZ	2763	---	2763	---
		3 P.. 380V - 50HZ	---		444	
			1223			
12	MOTOR SPACERS	---				
13	WATER PRESSURE SWITCH VALVE	425				
14	WATER PRESSURE SWITCH VALVE HOSE	1015				
15	3/8" SAE - 3/8" GAS CONNECTION	430				
16	SAE 3/8" NUT	426				