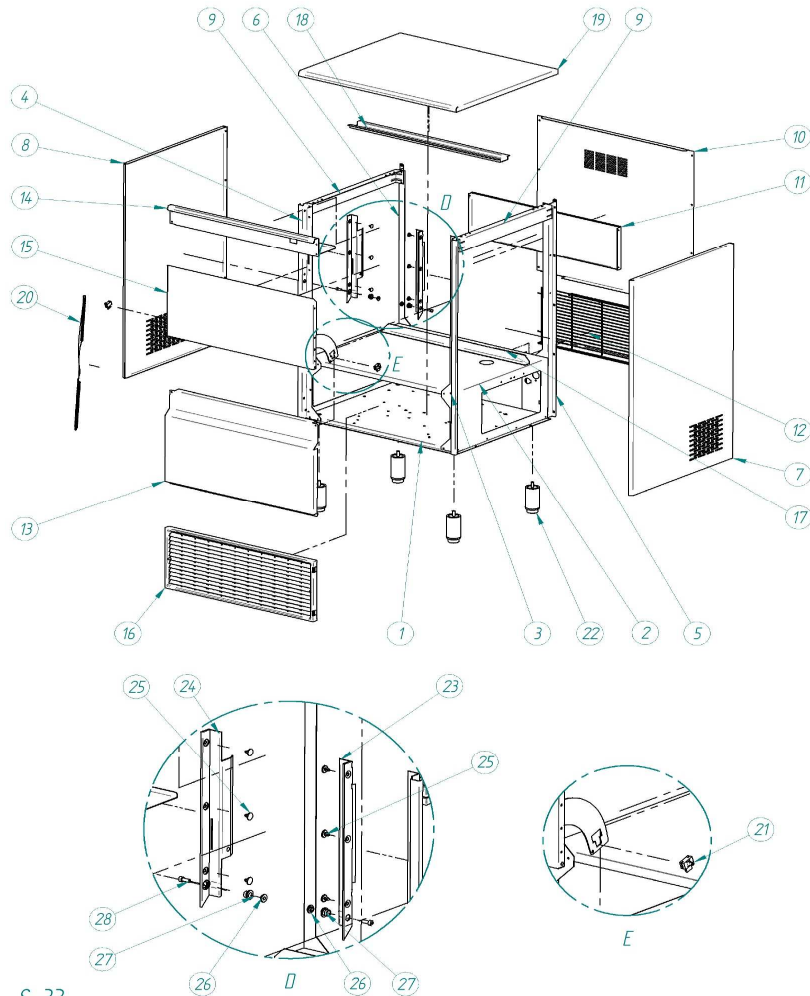


# CABINET

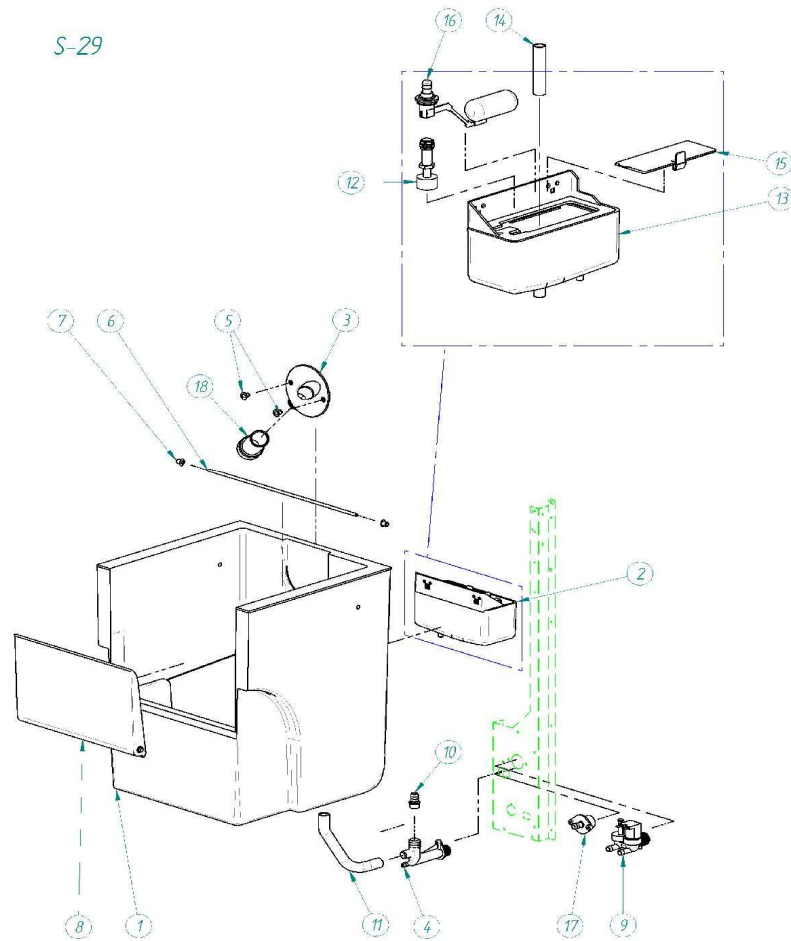
# EXPLODED VIEWS



S-33

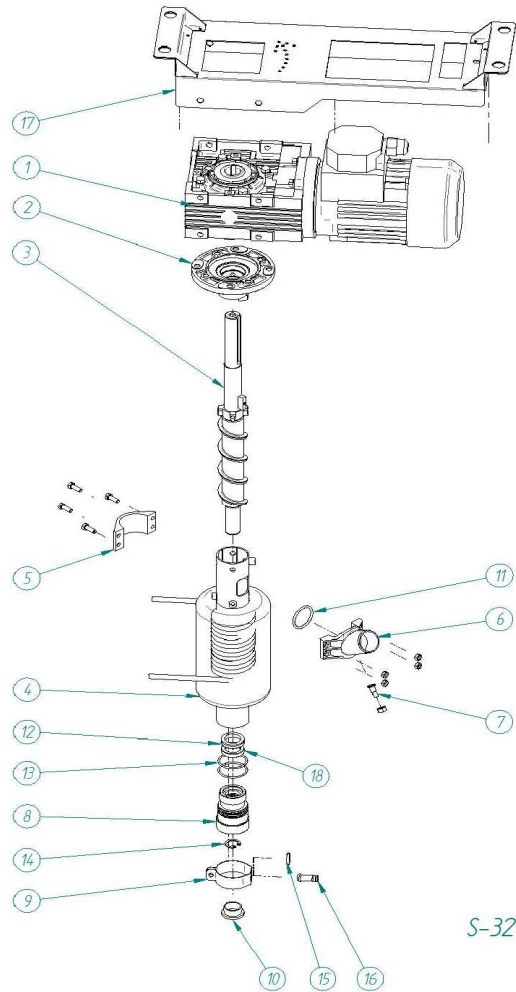
	NAME
1	BASEMENT
2	BRIDGE
3	FRONT RIGHT COLUMN
4	FRONT LEFT COLUMN
5	REAR RIGHT COLUMN
6	REAR LEFT COLUMN
7	RIGHT PANEL
8	LEFT PANEL
9	BRACE
9	BRACE
10	REAR COVER
11	REAR REINFORCEMENT
12	REAR GRILL
13	LOWER FRONT PANEL
14	UPPER FRONT PANEL
15	DOOR
16	FRONT GRILL
17	BRIDGE ANGLE
18	COVER REINFORCEMENT
19	TOP COVER
20	DOOR SPRING
21	DOOR BUMPER
22	LEG
23	RIGHT DOOR GUARD
24	LEFT DOOR GUARD
25	CLIP
26	DOOR AXE BUSH
27	DOOR AXE BEARING
28	DOOR SCREW

## BIN & HIDRAULICS PARTS



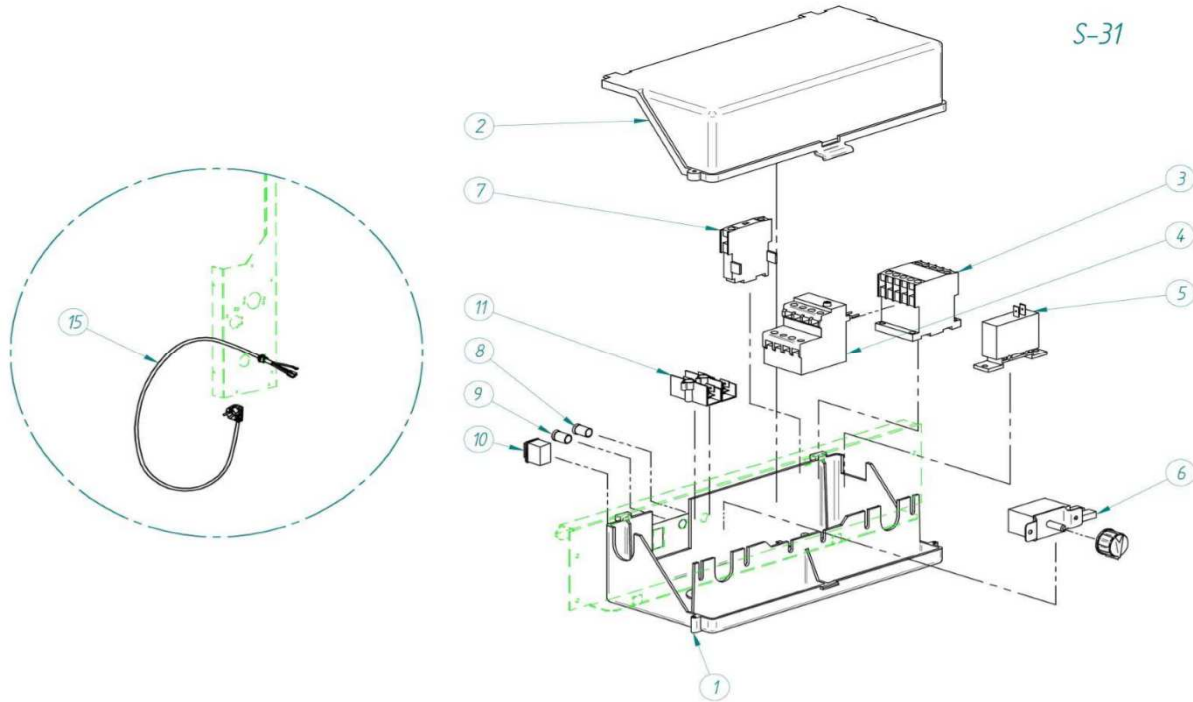
	NAME
1	STOCK BIN
2	WATER BIN
3	ICE EXIT
4	DRAIN
5	SCREW
6	THERMOSTAT CUBE
7	JOINT
8	SWING DOOR
9	WATER INLET VALVE
	115/60HZ
10	WATER INLET VALVE
11	WATER TUBE
12	UPPER LEVEL HEAD
13	WATER BIN
14	TUBE
15	TOP COVER
16	WATER FLOAT

# EVAPORATOR



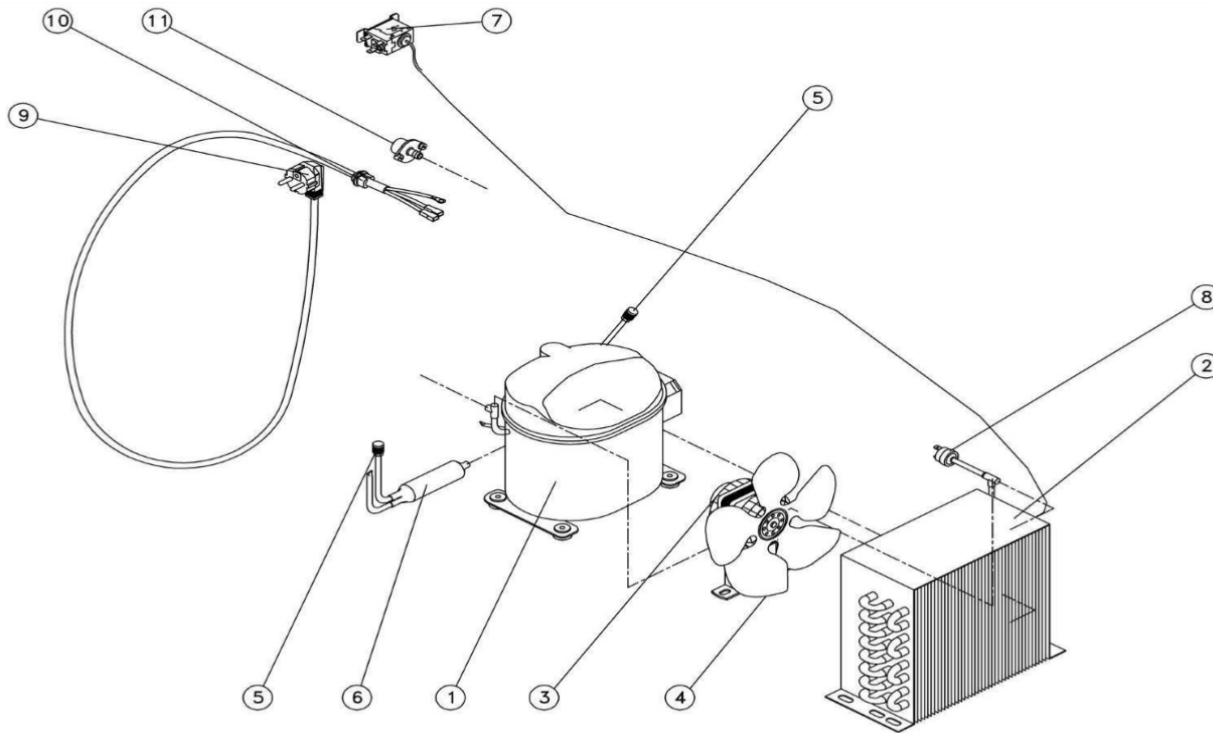
		NAME
1	GEAR MOTOR	
	Until serial number 2983092	220V/50Hz
	From serial number 1112041	220V/50Hz
		115/60HZ
2	BRIDE/PLATE	
3	AUGER	
4	EVAPORATOR	
5	EVAP OPENING FLANGE	
6	EVAP OPENING	
7	DRAIN	
8	LOWER BEARING	
9	WATER ENTRY	
10	STOPPER	
11	JOINT	
12	V-RING	
13	JOINT	
14	RING	
15	JOINT	
16	WATER INLET	
17	MOTOR SUPPORT	
	SET EVAPORATOR: from 2 to 16	

## ELECTRIC BOARD



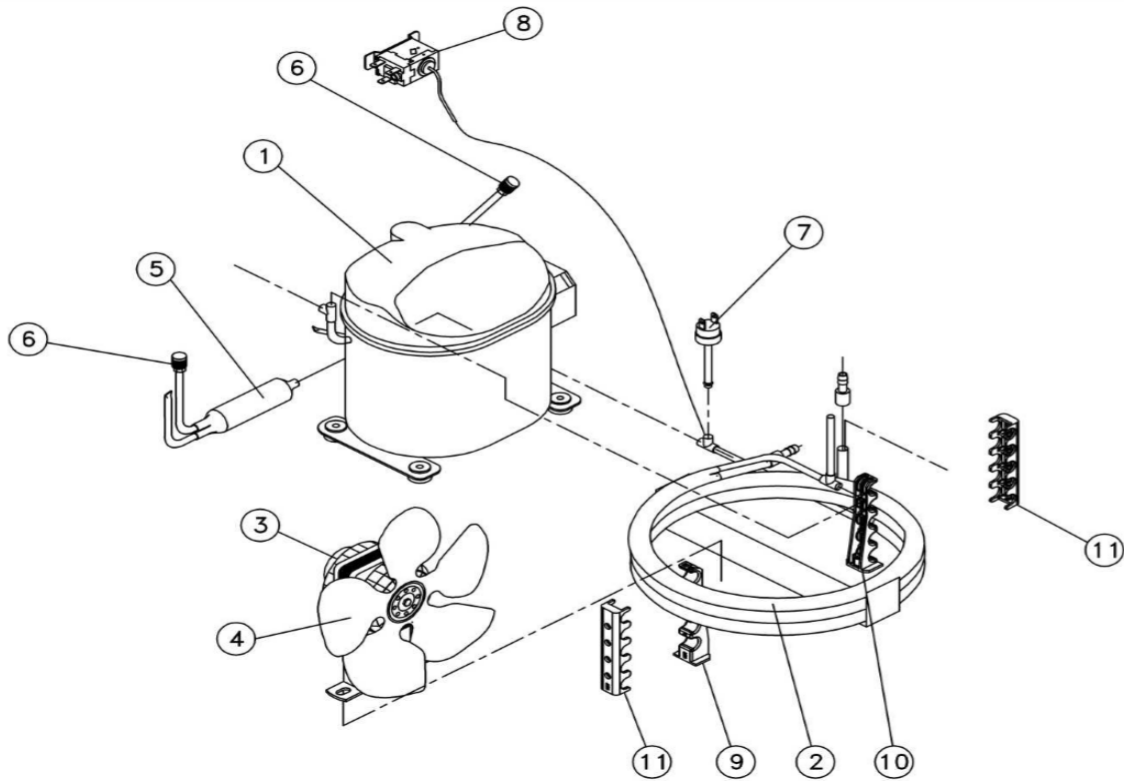
NAME	
1	ELECTRIC BOARD
2	COVER
3	CONTACTOR
	220V/50HZ
	115V/60HZ
4	RELAY
	220V/50HZ
	115V/60HZ
5	TIMER
6	STOCK THERMOSTAT
7	AUX CONTACT
8	RED LED
9	LED
10	SWITCH
11	CONNECTOR
	PLUG
	220V/50HZ
12	
	208-230V/60HZ
	115V/60HZ

## AIR CONDENSER UNIT



NAME		
1	COMPRESSOR	220V/50HZ
2	AIR CONDENSER	115V/60HZ
3	FAN	220V/50HZ
4	FAN BLADE	115V/60HZ
5	CHARGE VALVE	
6	FILTER	
7	CONDENSING PRESSURE SWITCH	
8	HIGH PRESSURE SWITCH	
9	PLUG	
10	RETAINER	
11	WATER INLET VALVE	

## WATER CONDENSER UNIT



NAME		
1	COMPRESSOR	220V/50HZ 115V/60HZ
2	WATER CONDENSER	
3	FAN	220V/50HZ 115V/60HZ
4	FAN BLADE	
5	CHARGE VALVE	
6	FILTER	
7	HIGH PRESSURE SWITCH	
8	CONDENSING PRESSURE SWITCH	
9	TOP SUPPORT	
10	LOW SUPPORT	
11	EXTERIOR SUPPORT	