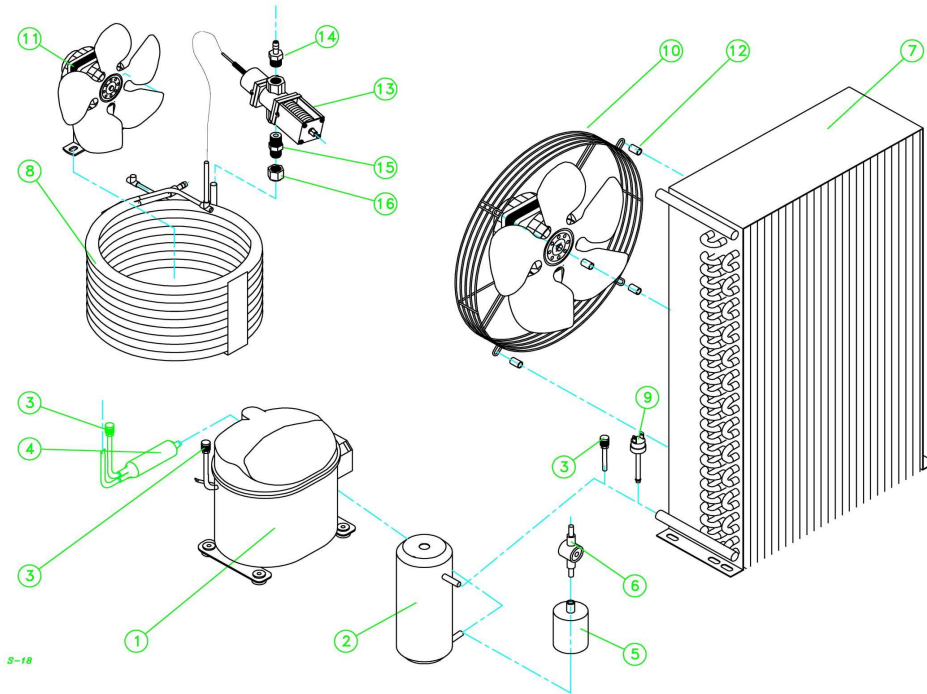


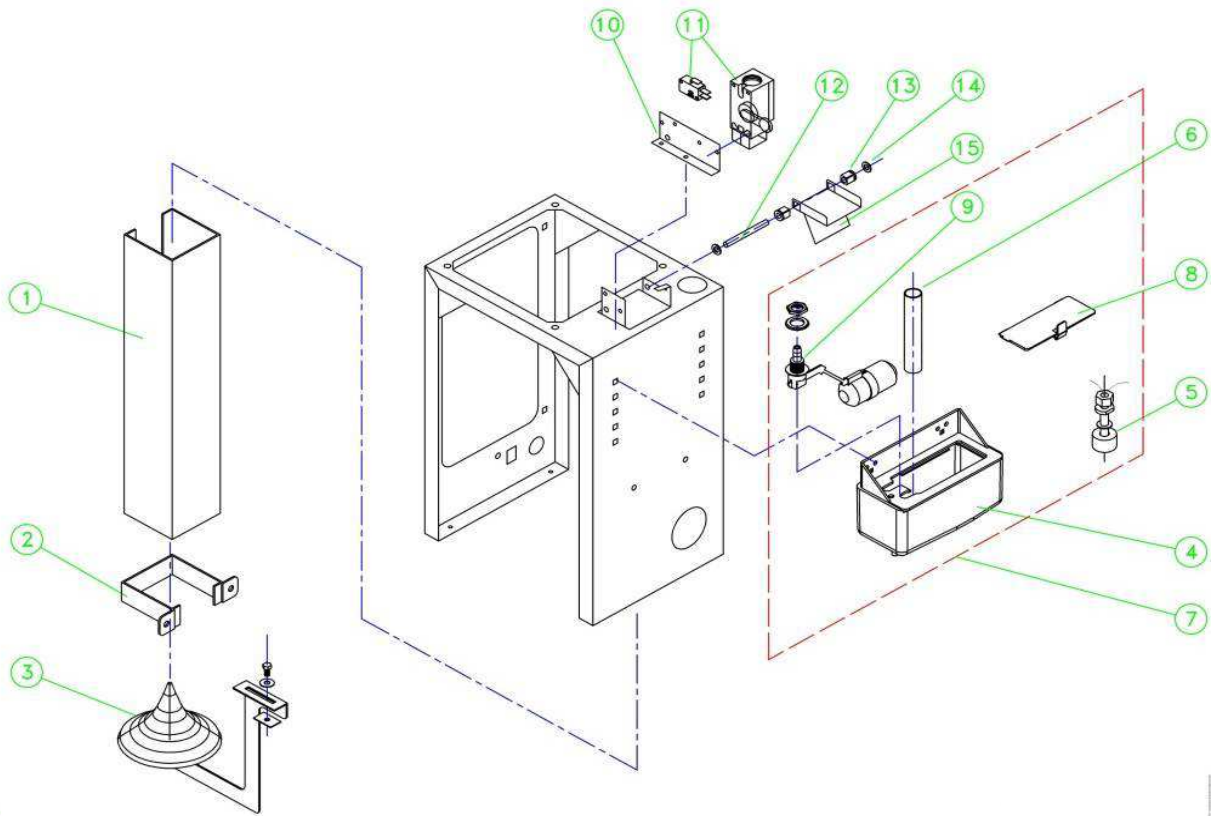
S-17

EVAPORATOR ASSEMBLY	
	NAME
1	GEARMOTOR
	(II) since serial number 1232164
	(III) since serial number 1051659
2	WASER
3	SCREW
4	MOTOR SUPPORT
5	UP BEARING
6	SEAL
7	WASSER
8	AUGER
9	WASSER
10	SEAL V-RING
11	EVAPORATOR
12	SCREW
13	BOTOM BEARING
14	O-RING
15	SEAL
16	WASSER
17	SCREW
18	SCREW



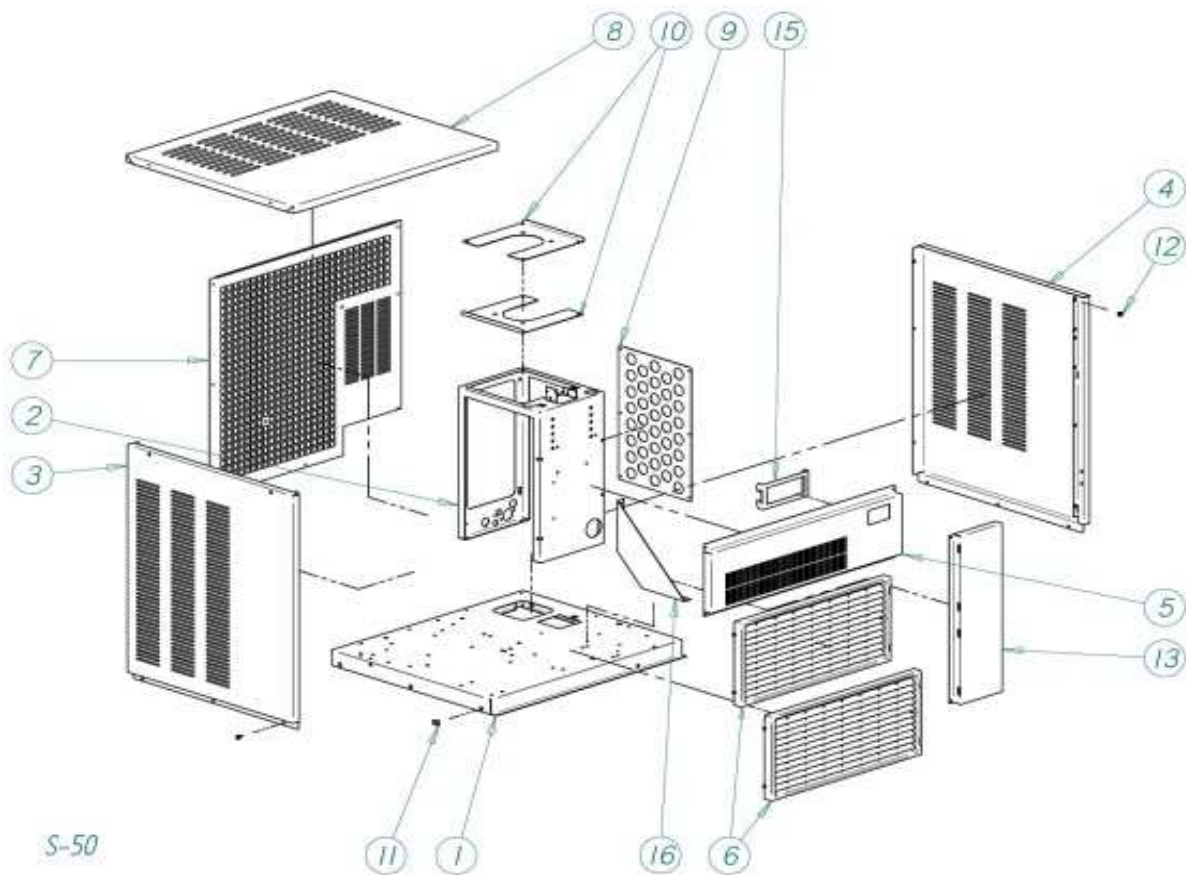
S-18

UNIT CONDENSER		
Nº	NAME	
1	COMPRESSOR	230V - 50Hz
		230V - 60Hz
		115V - 60Hz
		380V - 50Hz
2	WESSEL	
3	VALVE	
4	DRIER	
5	DRIER	
6	VISOR	
7	AIR CONDENSER	
8	WATER CONDENSER	
9	PRESSOSTAT	
10	AIR COND. FAN	230V - 50Hz
		230V - 60Hz
		115V - 60Hz
		380V - 50Hz
11	WATER COND. FAN	230V - 50Hz
		230V - 60Hz
		115V - 60Hz
		380V - 50Hz
12	MOTOR SPACERS	
13	PRESSOSTATIC VALVE	
14	PRESSOSTATIC VALVE HOSE	
15	UNION 3/8" SAE - 3/8" GAS	
16	NUT SAE 3/8"	



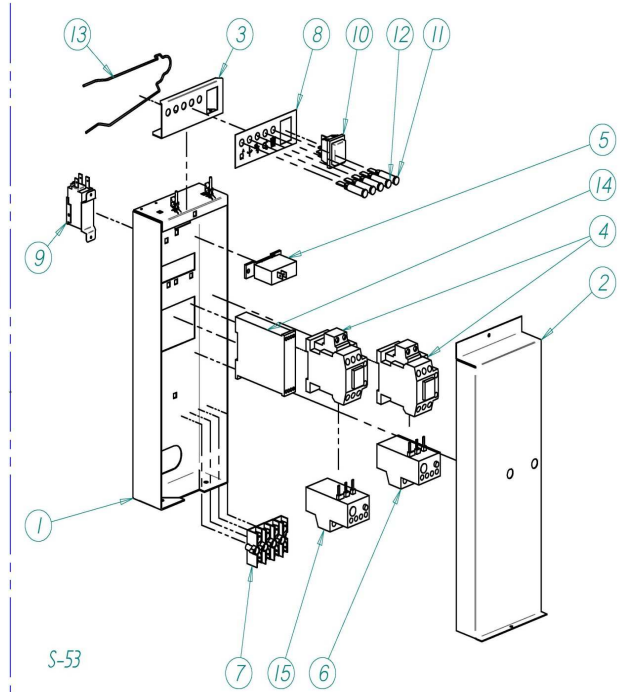
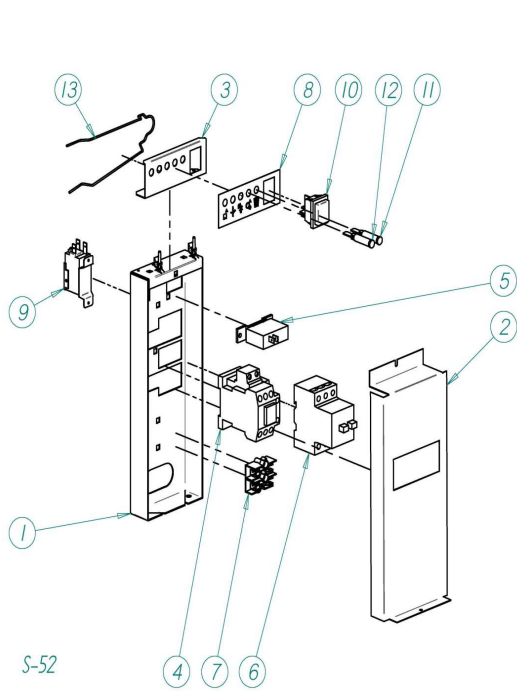
8-19

WATER BIN	
	NAME
1	ICE DELIVERY CHUTE
2	ICE DELIVERY CUBE FLANGE
3	DISPERSION CONE
4	WATER BIN
5	UPPER LEVEL LEAD
6	OVERFLOW TUBE
7	WATER BIN COMPLET
8	TOP PANEL BIN
9	VERTICAL FLOAT VALVE
10	STOP MICRO SUPORT
11	MICRO
12	SHAFT
13	DOOR BUSHING
14	ARTICULATION JOINT
15	STOP BASCULE



S-50

	MODEL	CABINET
	NAME	
1	BASE	
2	BRIDGE	
3	LEFT PANEL	
4	RIGHT PANEL	
5	FRONT PANEL	
6	REJILLA AIREACIÓN	
7	BACK PANEL	
8	TOP PANEL	
9	RENFORT LATERAL PONT	
10	SUPPORT BRIDE	
11	PLASTIC NUT	
12	PLASTIC NUT	
13	FRONT PANEL	
15	LED SUPPORT	
16	REAR STAY	



ELECTRIC BOX MONOPHASIC AND TRIPHASIC	
	NAME
1	BASE
2	COVER
3	PILOT SUPPORT
4	CONTACTOR
5	TIMER
6	BREAKER
7	CONNECTION POINT
8	BUSHING
9	PRESOSTATO CONDENSACIÓN
10	COND. PRESSOSTAT
11	FILTER
12	SWITCH
13	GREEN PILOT
14	RPHASE SEQUENCE RELE
15	RED PILOT