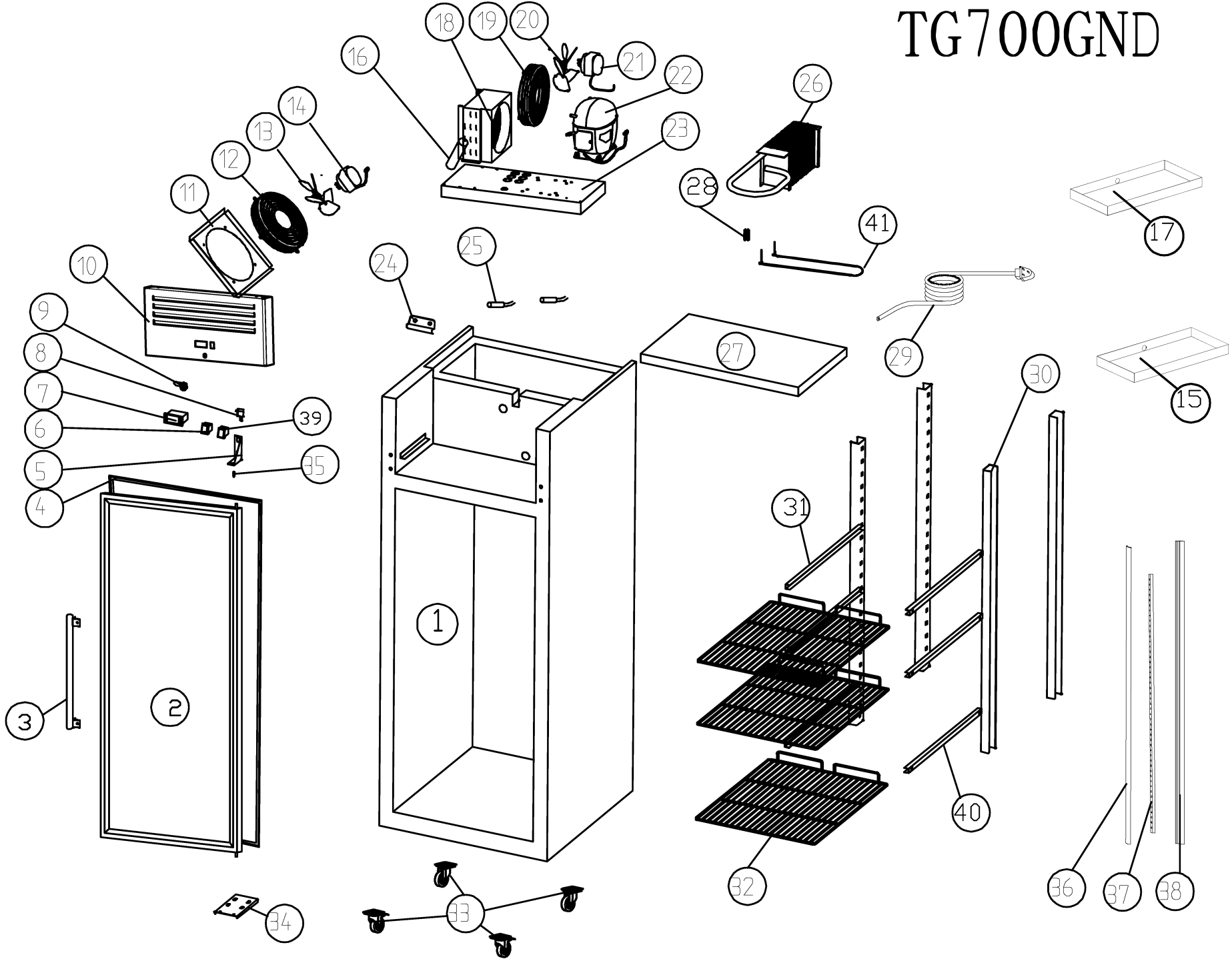


TG700GND



TG700GND Exploded View

S/N	Number	Name	UNIT	QTY	
1	SKC-0-000-0091-0	Body	SET	1	
2	SKC-0-000-0141-0	Door	SET	1	
3	SKC-9-055-0001-0	Door handle	PCS	1	
4	SKC-2-110-0056-0	Gasket	PCS	1	
5	SKC-2-001-0162-0	top hinge right	PCS	1	
6	SKC-4-050-0009-0	defrost indicator	PCS	1	
7	SKC-4-030-0018-0	thermostat	PCS	1	
8	SKC-4-050-0005-0	door switch	PCS	1	
9	SKC-2-170-0081-0	lock	PCS	1	
10	SKC-2-002-1218-0	front panel	PCS	1	
11	SKC-2-110-0029-0	fan cover	PCS	1	
12	SKC-2-120-0042-0	fan grill	PCS	1	
13	SKC-2-105-0002-0	fan blade	PCS	1	
14	SKC-4-001-0003-0	fan	PCS	1	
15	SKC-0-000-0010-0	OUTER WATER PAN SET	PCS	1	
16	SKC-2-103-0001-0	dry filter	PCS	1	
17	SKC-2-002-1048-0	INNER WATER PAN SET	PCS	1	
18	SKC-2-102-0012-0	condenser	PCS	1	
19	SKC-2-120-0041-0	fan grill	PCS	1	
20	SKC-2-105-0003-0	fan blade	PCS	1	
21	SKC-4-001-0005-0	fan	PCS	1	
22	SKC-4-040-0113-0	compressor	PCS	1	
23	SKC-2-001-0518-0	unit board	PCS	1	
24	SKC-2-002-0036-0	probe seat	PCS	1	
25	SKC-4-030-0006-0	probe	PCS	2	
26	SKC-2-101-0018-0	evaporator	PCS	1	
27	SKC-0-000-0006-0	top	PCS	1	
28	SKC-4-060-0001-0	overheat protector	PCS	1	
29	SKC-4-010-0080-0	power core	PCS	1	
30	SKC-2-001-0051-0	shelf support		4	
31	SKC-2-002-0918-0	guide rail		3	
32	SKC-2-120-0001-0	shelf	PCS	3	
33	SKC-2-140-0005-0	foot with brake	PCS	2	
33	SKC-2-140-0004-0	foot without brake	PCS	2	
34	SKC-2-001-0318-0	down hinge right	PCS	1	
35	SKC-2-170-0221-0	hinge axis		1	
36	SKC-2-110-0372-0	guide left	PCS	1	
37	SKC-4-050-0028-0	LED light	PCS	1	
38	SKC-2-110-0371-0	light box	PCS	1	
39	SKC-4-050-0001-0	door switche	PCS	1	
40	SKC-2-001-1027-0	guide rail		3	
41	SKC-4-020-0123-0	heator	PCS	1	